



MARINA MOBILI INC.

146 W. Commercial Ave., Moonachie, N.J. 07074-1794 • USA • Telephone: (201) 438-5700
P.O. Box 347 Telex: 133496 MMobili Moon

DERBI 

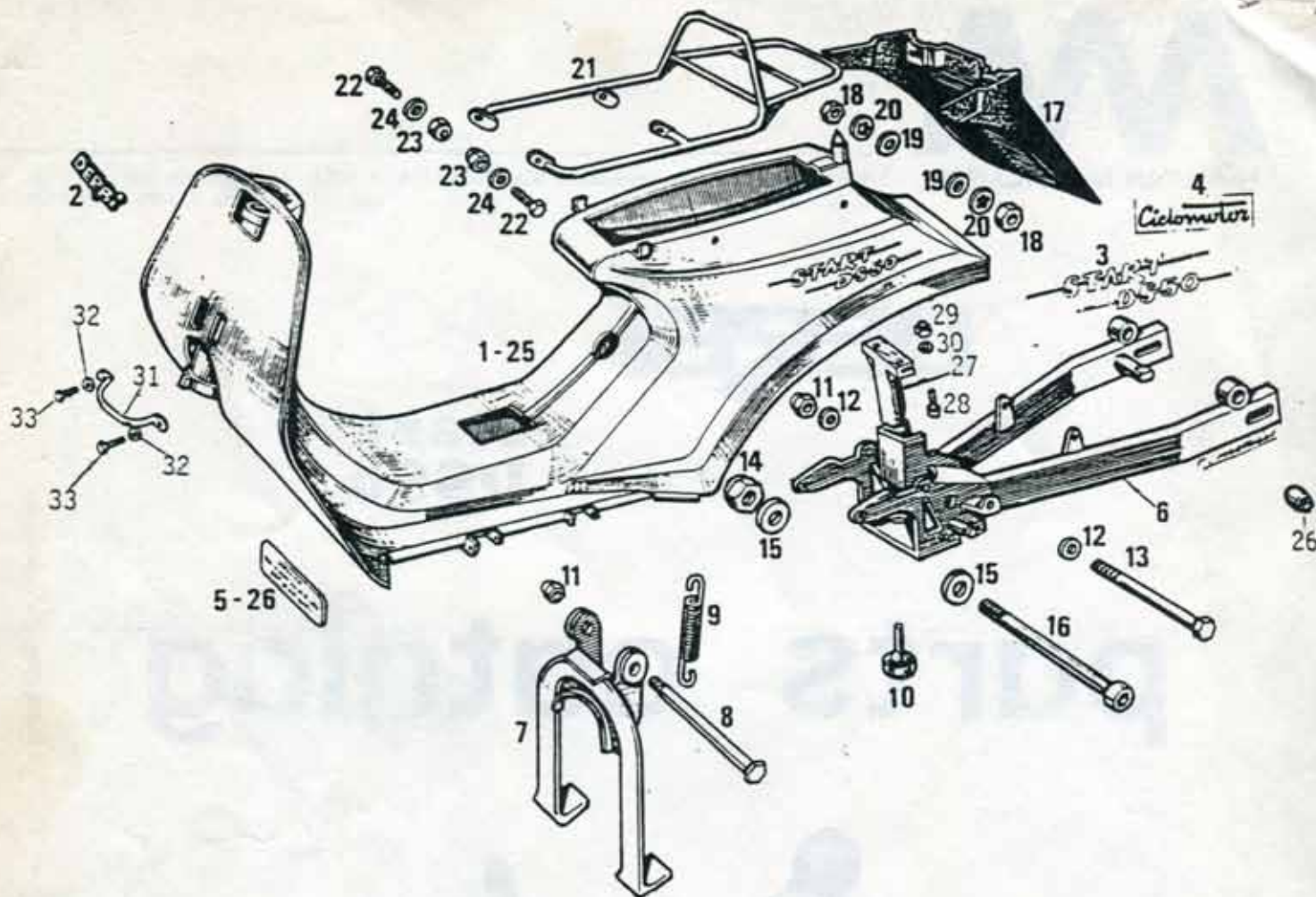
~~start~~
DS50

parts catalog



4/87 • CATALOG NO. F777048

EXPORTERS/IMPORTERS/DISTRIBUTORS



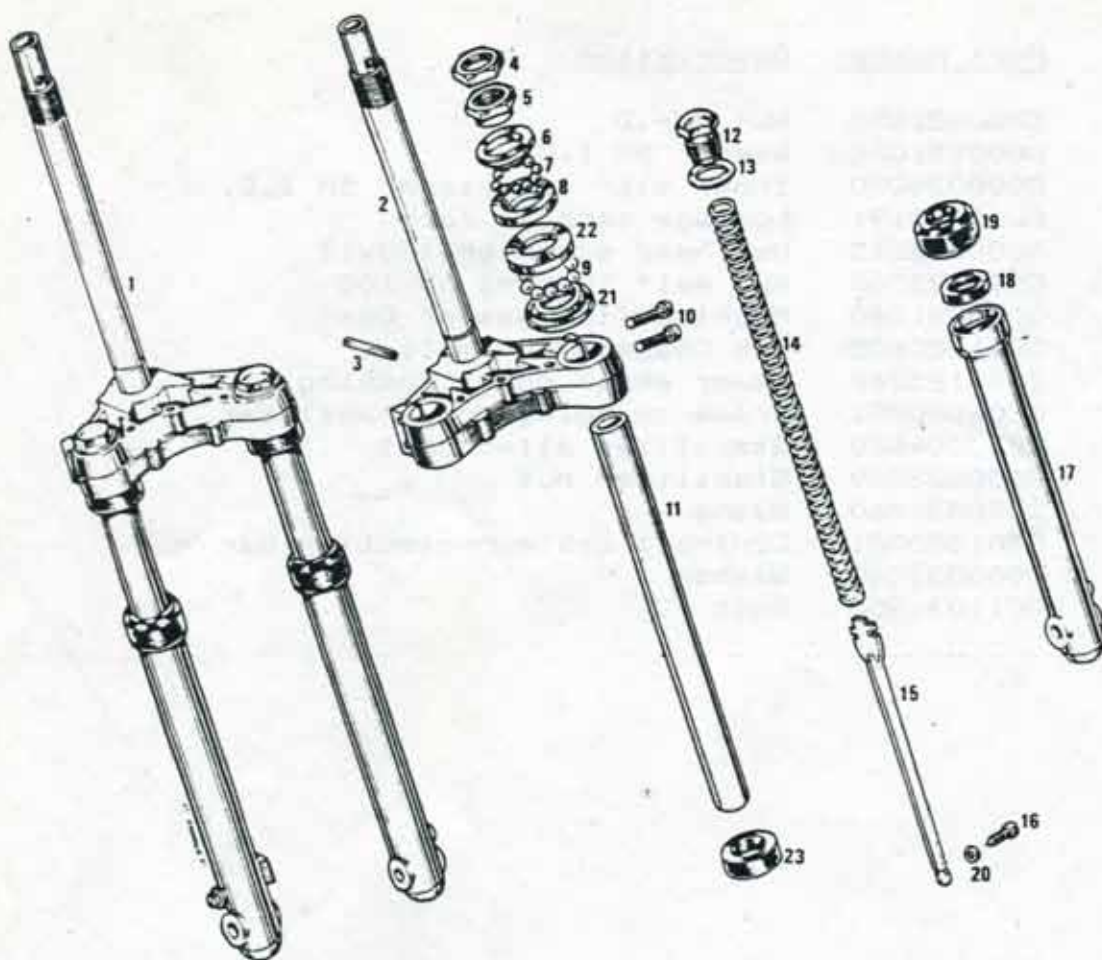
Make: Derbi
Model DS-50

Year 1987
Section: Frame

Dwg. # 1

<u>Fig.</u>	<u>Part Number</u>	<u>Description</u>
01	OE01920601	White Chassis Assembly
02	OE01500781	Front Chassis Derbi Nameplate
03	OE01510321	Decal
04	-----	Not applicable
05	-----	Not applicable
06	OE00310011	Swingarm black
07	OE00810011	Centerstand
08	OE00810071	Centerstand pivot pin
09	OF00800081	Centerstand spring
10	0004322460	Centerstand rubber stop
11	0000023080	Self locking nut 8x125
12	0000031080	Machine flat washer 8mm
13	0008225270	hex head screw 8M-125x110
14	0000023100	Nut self locking 10M-1.5
15	0000031100	Machine flat washwer 10mm
16	OE03000271	Front engine mounting bolt
17	OE01500861	Sub fender flap

<u>Fig.</u>	<u>Part Number</u>	<u>Description</u>
18	0000021050	Nut 5M-.8
19	0000031050	Washer 5M I.D.
20	0000034050	Inner star lockwasher 5M I.D.
21	0E01400191	Luggage carrier rack
22	0000002615	Hex head screw 6M-100x15
23	0000023060	Nut self locking 6M-100
24	0000031060	Machine flat washer D6mm
25	0E01920602	Red Chassis Assembly
26	0003125260	Lower shock mount bushing
27	0E04600251	Frame to swing arm stabilizer
28	0000004620	Stabilizer allen bolt
29	0000023060	Stabilizer nut
30	0000031060	Washer
31	0E01520021	Controll cable protection bar
32	0000031040	Washer
33	0011031300	Bolt



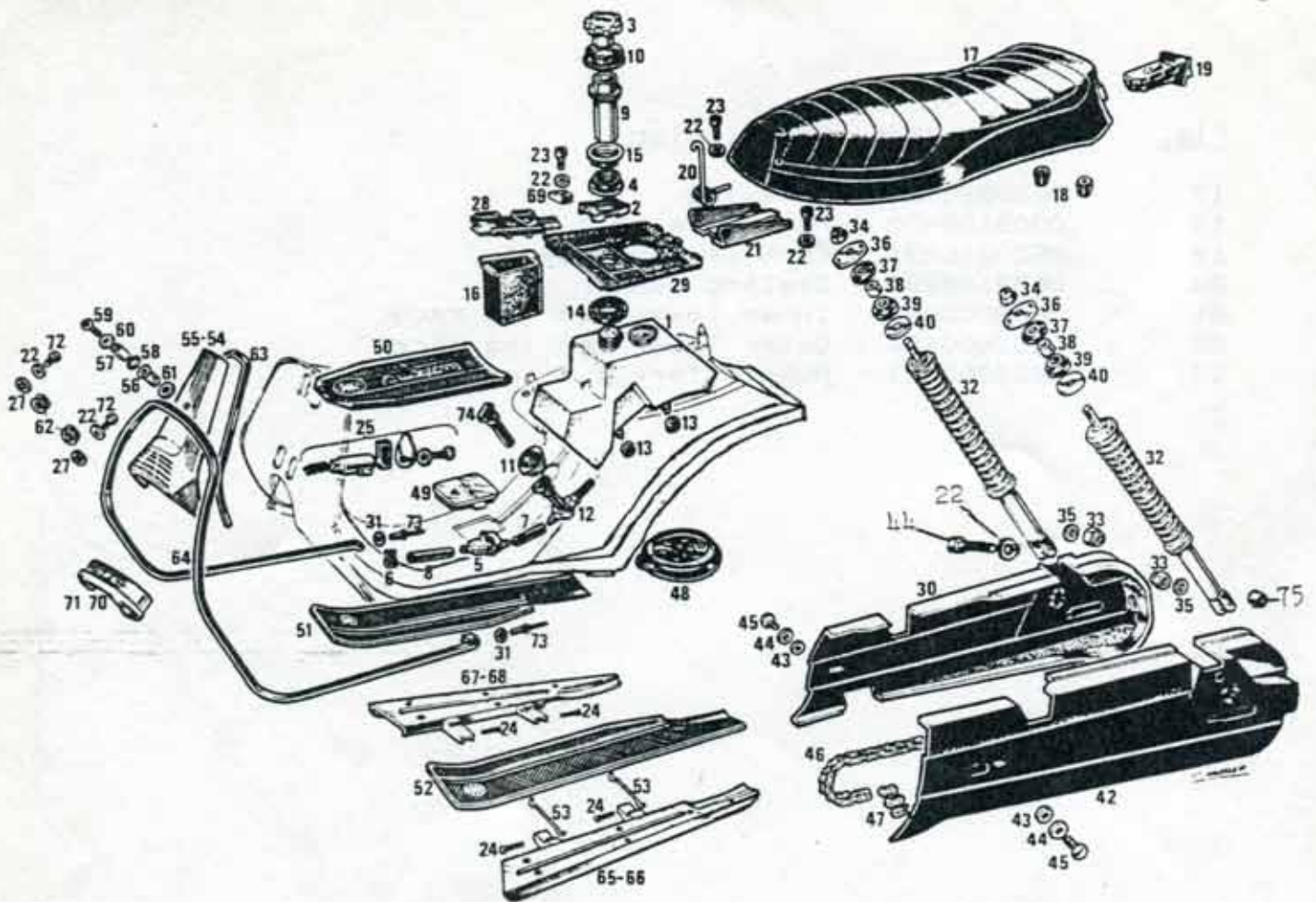
Make: Derbi
Model DS-50

Year 1987
Section: Fork Assembly

Dwg. # 2

<u>Fig.</u>	<u>Part Number</u>	<u>Description</u>
01	0E00220001	Front fork assembly complete
02	0E00220011	Top fork tripple tree
03	0052050200	Split pin 4x45mm DIN1481
04	0E00200111	Lock nut, top fork stem
05	0E00200081	Nut, top fork stem
06	0E00200071	Outer upper bearing race
07	0000061040	Ball bearing Dia. 4mm
08	0E00200061	Inner upper bearing race
09	0000061080	Ball bearing Dia. 8mm
10	0004283500	Allen head screw 8M-125x35
11	0E00220191	Upper fork tube
12	0E00220271	Fork tube cap
13	0006129050	Fork tube washer
14	0E00220171	Fork spring
15	0E00210161	Fork spring rod
16	0008202500	Fork leg screw

<u>Fig.</u>	<u>Part Number</u>	<u>Description</u>
17	0E00220121	Fork leg
18	0003102470	Fork tube seal
19	0E00210231	Fork leg dust seal
20	0003102280	Sealing washer
21	0E02000661	Inner lower bearing race
22	0E02000651	Outer lower bearing race
23	0E02000621	Rubber fork tube guide



Make: Derbi
Model DS-50

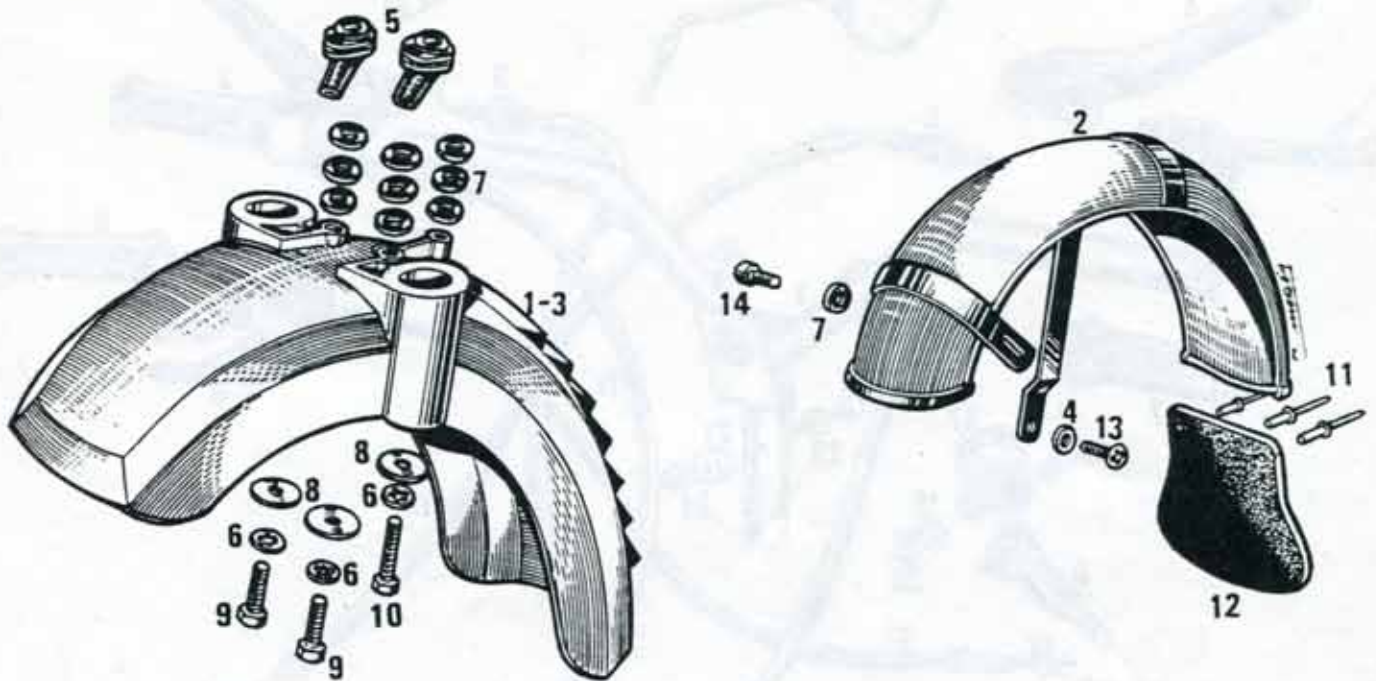
Year 1987
Section: Frame Chassis Components

Dwg. # 3

<u>Fig.</u>	<u>Part Number</u>	<u>Description</u>
01	0E00410011	Fuel tank
02	0008204050	Support plate
03	0008204140	Fuel tank cap
04	0008204640	Fuel tank nut
05	0D00400611	Fuel filter
06	-----	Not applicable
07	0E00400321	Fuel line, valve to filter
08	0E00420781	Fuel line, filter to carburetor
09	-----	Not applicable
10	0E00400761	Fuel level sending unit nut
11	0E00400791	Fuel valve knob grommet
12	0E00420181	Fuel valve assembly
13	0E01500061	Fuel tank grommet
14	0E00400831	Fuel tank cap washer
15	0E00400771	Fuel tank gasket
16	0E04410391	Storage compartment
17	ZE00610011	Saddle w/lock and key

<u>Fig.</u>	<u>Part Number</u>	<u>Description</u>
18	0008215950	Saddle bumper
19	0E00600681	Saddle lock assembly
20	0E00610691	Saddle pivot spring
21	0E02200951	Saddle hinge plate
22	0000031080	Flat washer Dia. 6mm
23	0004161600	Allen head bolt 6M-1.00x16
24	0051032500	Footrest pivot pin
25	0E01500771	Fork lock
26	-----	Not applicable
27	0000034060	Inner star washer Dia. 6mm
28	0E01500901	Battery cover
29	0E01510221	Rear chassis cover
30	0E02200221	Black swing arm guard (RH)
31	0000031050	Washer 5mm I.D.
32	0E01510191	Shock absorber
33	0000023080	Nut self locking 8M-125
34	0000023100	Nut self locking 10M-1.5
35	0000031080	Machined flat washer Dia. 8mm
36	0E01500421	Upper shock cushion washer
37	0F01500141	Upper shock cushion spacer
38	0E02200491	Upper shock bushing
39	0F01500631	Shock absorber silentblock
40	0E01800901	Lower shock cushion washer
41	0000004835	Lower shock mount bolt
42	0E01520181	Black chain guard (LH)
43	0003515370	Cover mounting washer
44	0008222080	Washer
45	0008215700	Chain guard screw
46	0E01530201	Engine drive chain 106 link (for 33z rear spkt)
46	0E01550201	Engine drive chain 107 link (for 34z rear spkt)
47	0003115210	Masterlink
48	0E02200971	Air filter access cover
49	0E02200561	Carburetor chassis cover
50	0E01500981	Central chassis foot pad
51	0E01520101	Right hand foot pad
52	0E01520501	Left hand foot pad
53	0E01510161	Footrest spring
54	0E01500354	Front chassis cover - White
55	0E01500355	Front chassis cover - Red
56	0E04400461	Chassis retaining nut
57	0E04400471	Chassis retaining spacer
58	0008231090	Decompression gasket
59	0000004655	Round head bolt 6M-1.00x40
60	0000034060	Inner star washer D 6mm
61	0000031100	Machined flat washer D 10mm
62	0E03300691	Battery cable grommet
63	0E02200211	Front chassis cover trim strip
64	0E01510341	Main chassis trim strip
65	0E02200311	Left folding footrest white
66	0E02200312	Left folding foot rest red
67	0E02200301	Right folding foot rest white

<u>Fig.</u>	<u>Part Number</u>	<u>Description</u>
68	OE02200302	Right folding foot rest red
69	OE04400361	Block
70	OE02000564	Lower fork tripple clamp cover - white
71	OE02000565	Lower fork tripple clamp cover - red
72	0000002610	Hex head screw 6M-100x10
73	OD00400691	Rivet
74	OE00400281	Fuel valve knob
75	OF02200471	Lower shock bolt bushing
N/I	OF03010241	Countershaft sprocket Nylon Cover

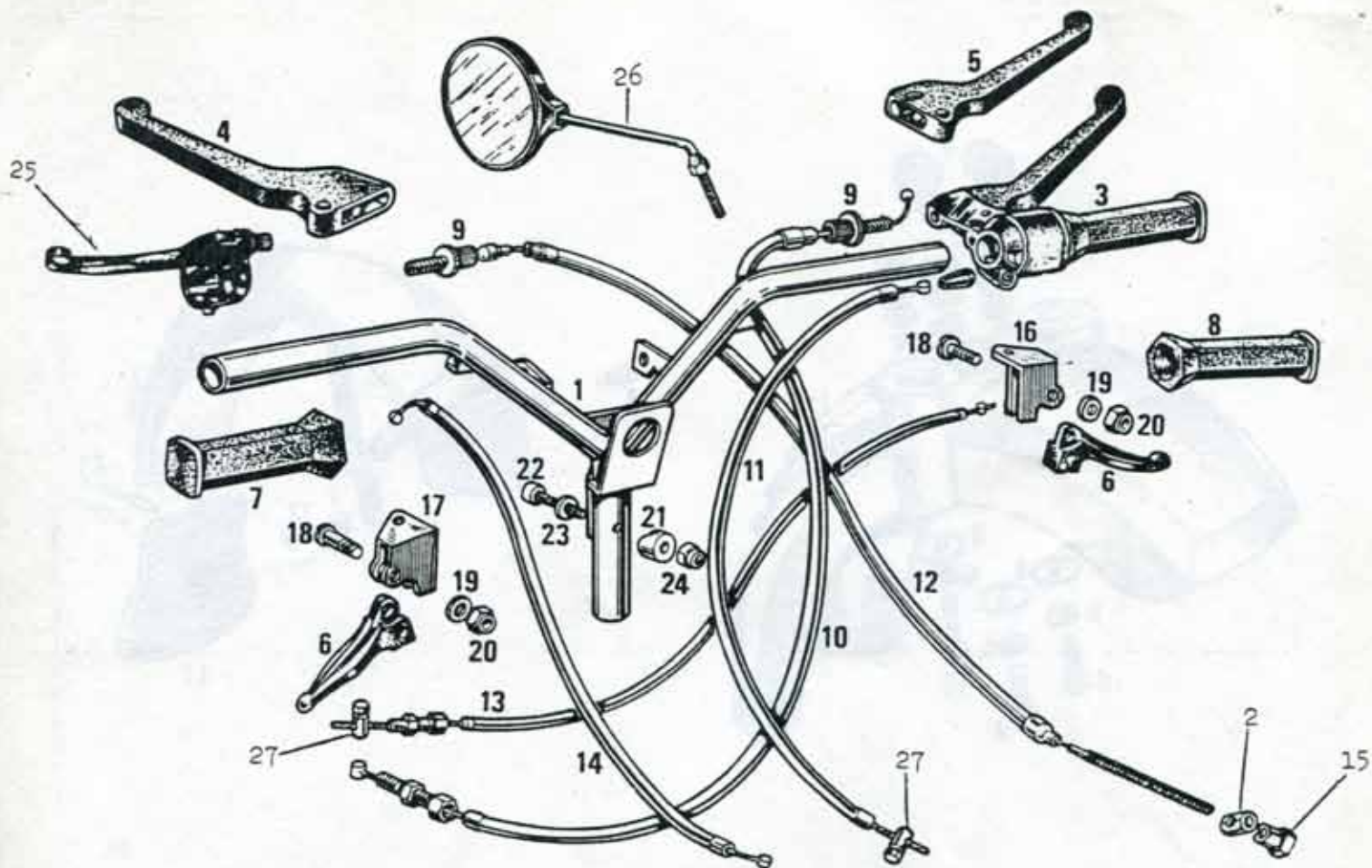


Make: Derbi
Model DS-50

Year 1987
Section: Fenders

Dwg. # 4

Fig.	Part Number	Description
01	0E00700024	Front fender - white
02	0E00710141	Rear fender
03	0E00700025	Front fender - red
04	0000031070	Washer 7mm I.D.
05	0E04400281	Rubber cable protector
06	0000034060	Inner star washer D 6mm
07	0003515370	Cover mounting washer
08	0000031060	Machined flat washer D 6mm
09	0000002625	Hex head bolt M6-1.00x25
10	0000002645	Hex head bolt M6-1.00x45
11	0008206190	Rivet
12	0E00700341	Rear fender mud flap
13	0013061000	Screw
14	0000004610	Allen head bolt M6-1.00x10



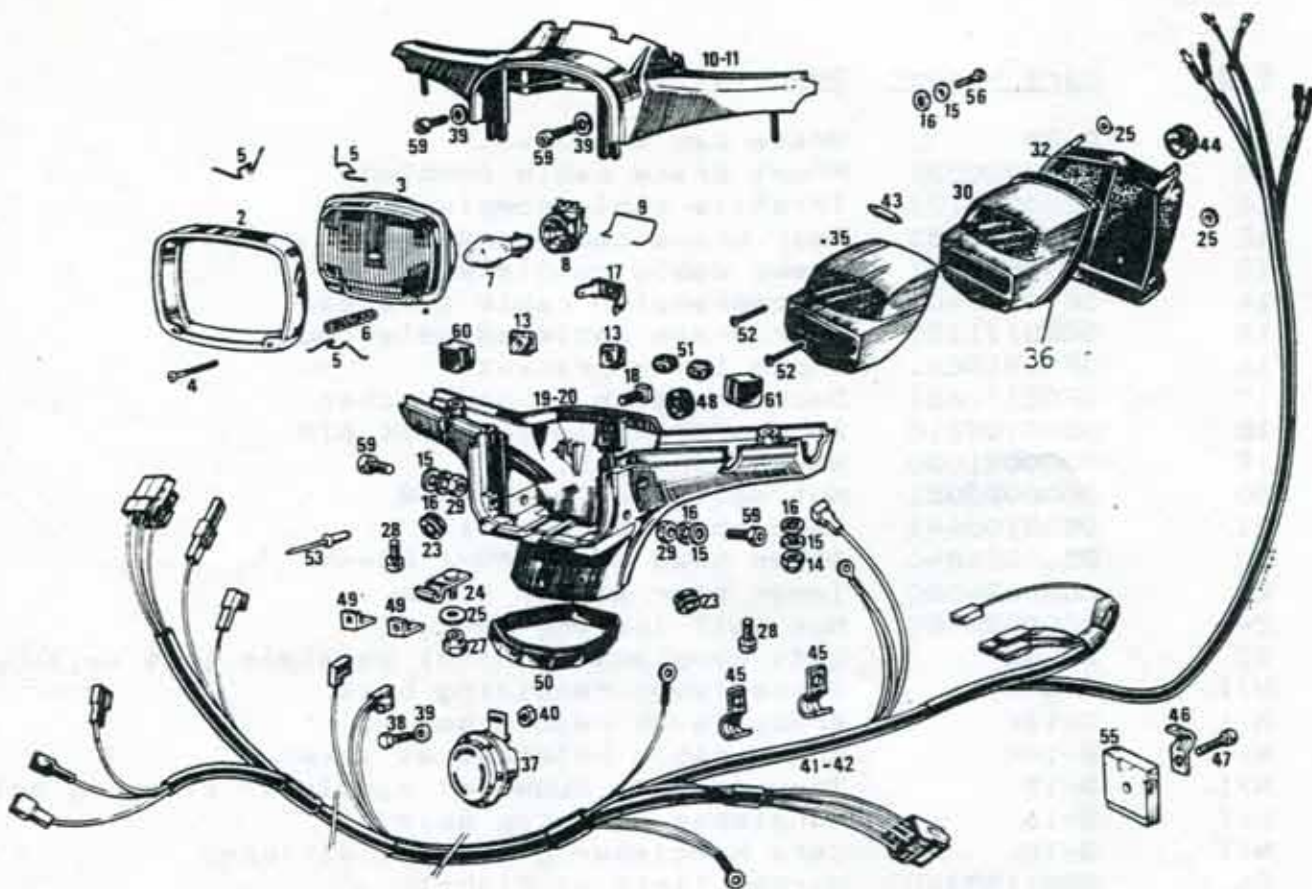
Make: Derbi
Model DS-50

Year 1987
Section: Handlebar & Controls

Dwg. # 5

Fig	Part Number	Description
01	OE00900011	Handlebar
02	0003111110	Brake cable roller
03	DA-9K	Throttle assembly complete less switch
N/I	D-5M	Throttle twist grip body stripped.
N/I	D-6M	Throttle twist tube less rubber grip
N/I	D-7	Nut for brake lever retaining bolt
N/I	D-8	Brake lever retaining bolt
N/I	D-11K	Brake lever return spring
N/I	D-14K	Brake cable holdfast at lever
N/I	D-15	Tapered locktube for handlebar clamping bolt
N/I	D-16	Handlebar clamping bolt
N/I	D-23	Throttle twist tube return spring
04	D-20KL	Rear brake lever
05	D-20KR	Front brake lever
06	0008209390	Decompression/choke lever
07	D-22K	Left hand grip
08	D-21K	Right hand grip

<u>Fig</u>	<u>Part Number</u>	<u>Description</u>
09	D-29	Brake cable adjustor
10	0E00920231	Front brake cable complete
11	0E00920171	Throttle cable complete
12	0E00900451	Rear brake cable complete
13	0E00920651	Choke cable complete
14	0E00900401	Decompression cable complete
15	0003111120	Rear brake cable adjuster nut
16	0F00910821	Choke lever bracket
17	0F02110601	Decompression lever bracket
18	0003109210	Decomp/choke lever pivot pin
19	0000031050	Washer 5mm I.D.
20	0000023051	Nut self locking M5-0.8
21	0E02100481	Handlebar spacer bolt
22	0000004840	Allen head screw M8-1.25x40
23	0000034080	Inner star washer D 8mm
24	0000023080	Nut self locking M8-1.25
25	DB-8K	Left handlebar control complete less switch
N/I	D-8	Brake lever retaining bolt
N/I	D-11K	Brake lever return spring
N/I	D-14K	Brake cable holdfast at lever
N/I	D-15	Tapered lock tube for handlebar clamping bolt
N/I	D-16	Handlebar clamping bolt
N/I	D-18L	Left handlebar grip body stripped
26	8881152340	Mirror (left or right)
27	M-59	Cable holdfast

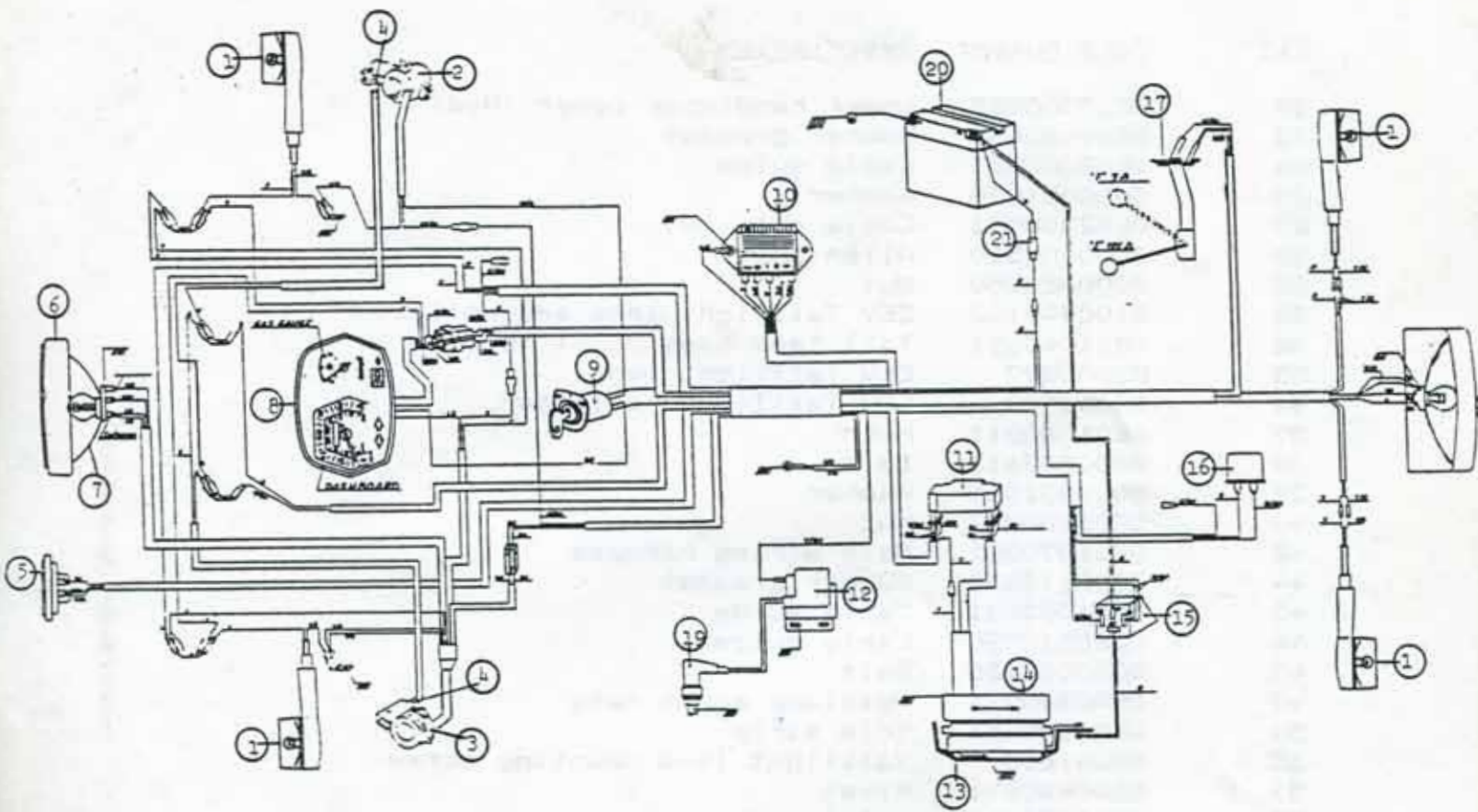


Make: Derbi
Model DS-50

Year 1987

Dwg. # 6
Section: Electrics

<u>Fig</u>	<u>Part Number</u>	<u>Description</u>
02	OE01000071	Headlamp bezel
03	OE01000551	Headlamp lens and reflector
04	OE01010101	Headlamp mount screw
05	OE01000041	Headlamp mount clip
06	OE02310501	Spring
07	R301063309	Headlamp bulb 12 volt 25/25 watt
08	0003710110	Bulb socket
09	0003710120	Bulb socket mount clip
10	OE02300911	Upper handlebar cover (White)
11	GE02300912	Upper handlebar cover (Red)
13	OE01500691	Spring nut
14	0000023050	Self locking nut
15	0000031050	Washer
16	0000034050	Star washer
17	0005510620	Double terminal
18	OE02300591	Square head screw
19	OE02300281	Lower handlebar cover (White)



Make: Derbi
Model DS-50

Year 1987

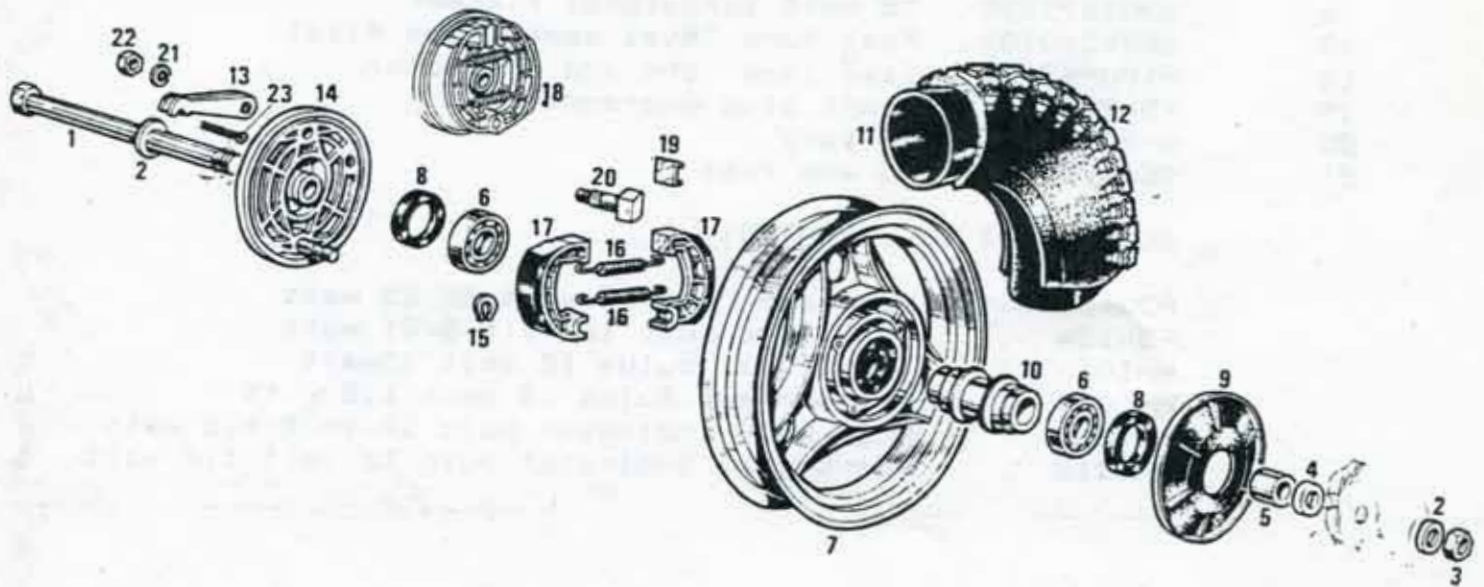
Dwg. # 6A
Section: Electrics

<u>Fig</u>	<u>Part Number</u>	<u>Description</u>
01	9435.3	Turnsignal assembly complete (front or rear)
02	R100823307	Right handlebar switch complete (start/engine stop)
03	R100823204	Left handlebar switch complete (lights/horn/turnsignals)
04	9343	Brake light switch
N/I	M-34	Brake light switch connection terminal
N/I	15863	Brake light switch rubber
05	OE01030311	Horn 12 volt D.C.
06	OE01000071	Headlamp chrome bezel
07	OE01000551	Headlamp lens and reflector
08	OE04350031	Dash board with speedometer & fuel guage
09	OE01600381	Ignition switch with two keys
10	OE01030841	Electronic voltage regulator
11	OE02300901	Electronic module
12	OE03310171	Electronic high tension coil
13	OF03910211	Starter motor
14	OF03350011	Electronic magneto complete

<u>Fig</u>	<u>Part Number</u>	<u>Description</u>
15	OE03910011	Starter relay
16	R301877102	12 volt turnsignal flasher
17	OE04310181	Fuel tank level sensor and float
18	R100947103	Tail lamp lens and reflector
19	F54240	Spark plug supressor cap
20	A-B1	Battery
21	OE01000911	15 amp fuse

BULBS (NOT ILLUSTRATED)

R301063309	Headlamp bulb 12 volt 25/25 watt
F54134	Tail lamp bulb 12 volt 5/21 watt
H-101H	Turnsignal bulbs 12 volt 10watt
H-101Q	Speedometer Bulbs 12 volt 1.2 watt
H-101Q	High beam indicator bulb 12 volt 1.2 watt
H-101Q	Turnsignal indicator bulb 12 volt 1.2 watt



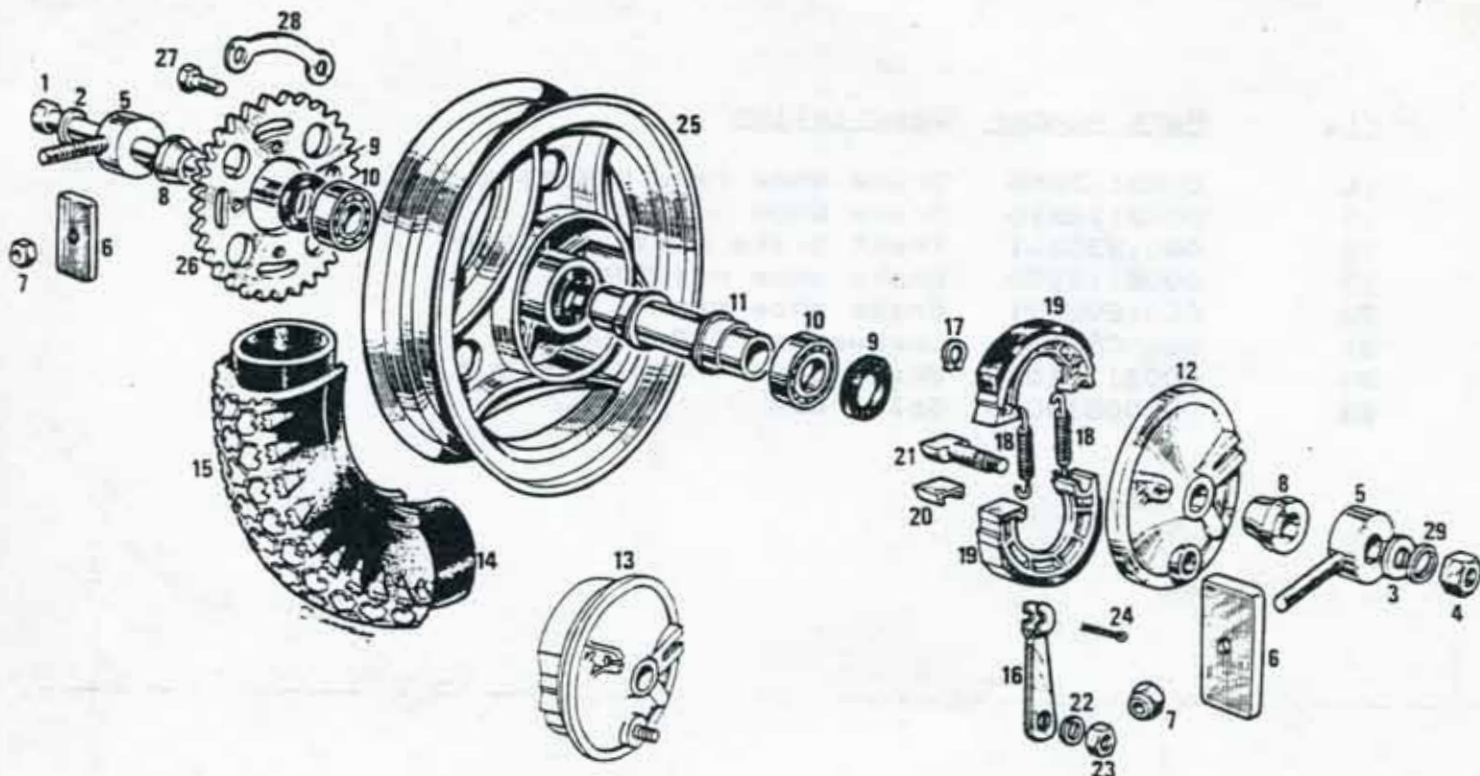
Make: Derbi
Model DS-50

Year 1987

Dwg. # 7
Section: Front Wheel

<u>Fig</u>	<u>Part Number</u>	<u>Description</u>
01	0002112260	Front wheel axle
02	0003112320	Axle washer 12mm
03	0003112330	Axle nut 12m x 150
04	0004312320	Speedo drive spacer for <u>VDO</u> drive
04	0004312310	Speedo drive spacer for <u>CEV</u> drive
05	0A01200291	Hub for VDO drive spacer
05	0E01200301	Hub for CEV drive spacer
06	0000056201	Wheel axle bearing 6201 (12x32x10mm)
07	0F01210951	Front wheel w/bearings
08	0D01200341	Wheel bearing seal 20x32x4mm
09	0E01200121	Front wheel hub cap
10	0E01210031	Wheel bearing spacer
11	H49M100	Inner tube 300 x 10"
12	H50M400	Tire 300 x 10"
13	0008212180	Brake actuating arm
14	0E01210401	Front brake plate complete
15	0000047110	Brake shoe retaining circlip

<u>Fig</u>	<u>Part Number</u>	<u>Description</u>
16	0003112240	Brake shoe return spring
17	0003112210	Brake shoe
18	0A01230141	Front brake plate stripped
19	0002112350	Brake shoe reinforcer
20	0E01200771	Brake shoe cam
21	0000033100	Lockwasher I.D. 10mm
22	0003113150	Brake lever retaining nut
23	0000051204	Split pin



Make: Derbi
Model DS-50

Year 1987

Dwg. # 8
Section: Rear Wheel

<u>Fig</u>	<u>Part Number</u>	<u>Description</u>
01	0A01310201	Rear wheel axle
02	0D01300191	Axle washer
03	0D01310191	Axle washer
04	0003112330	Axle nut
05	0D01300171	Rear wheel adjustor
06	0D01300481	Wheel adjustor stop
07	0000023060	Nut self locking 6M-100
08	0008213290	Wheel bearing spacer
09	0D01200341	Wheel bearing seal 20x32x4
10	0000056201	Wheel bearing 6201 12x32x10
11	0008213090	Rear hub spacer
12	0A01330141	Brake plate stripped
13	0E01310521	Rear wheel brake plate complete
14	H49M100	300 x 10" tube
15	H50M400	300 x 10" tire
16	0008212180	Brake actuating arm
17	0000047110	Brake shoe retaining circlip

<u>Fig</u>	<u>Part Number</u>	<u>Description</u>
18	0003112240	Brake shoe return spring
19	0003112210	Brake shoe
20	0002112350	Brake shoe reinforcer
21	0E01200771	Brake shoe cam
22	0000033100	Lockwasher I.D. 10mm
23	0003113150	Brake lever retaining nut
24	0000051204	Split pin
25	0E02410151	Rear mag wheel w/bearings
26	0000913030	33 tooth rear wheel drive sprocket
26	0F01330031	34 tooth rear wheel drive sprocket
27	0000002825	Hex head bolt 6M-125x25
28	0006513050	Sprocket lock ring
29	0000033120	Spring washer Dia. 12mm

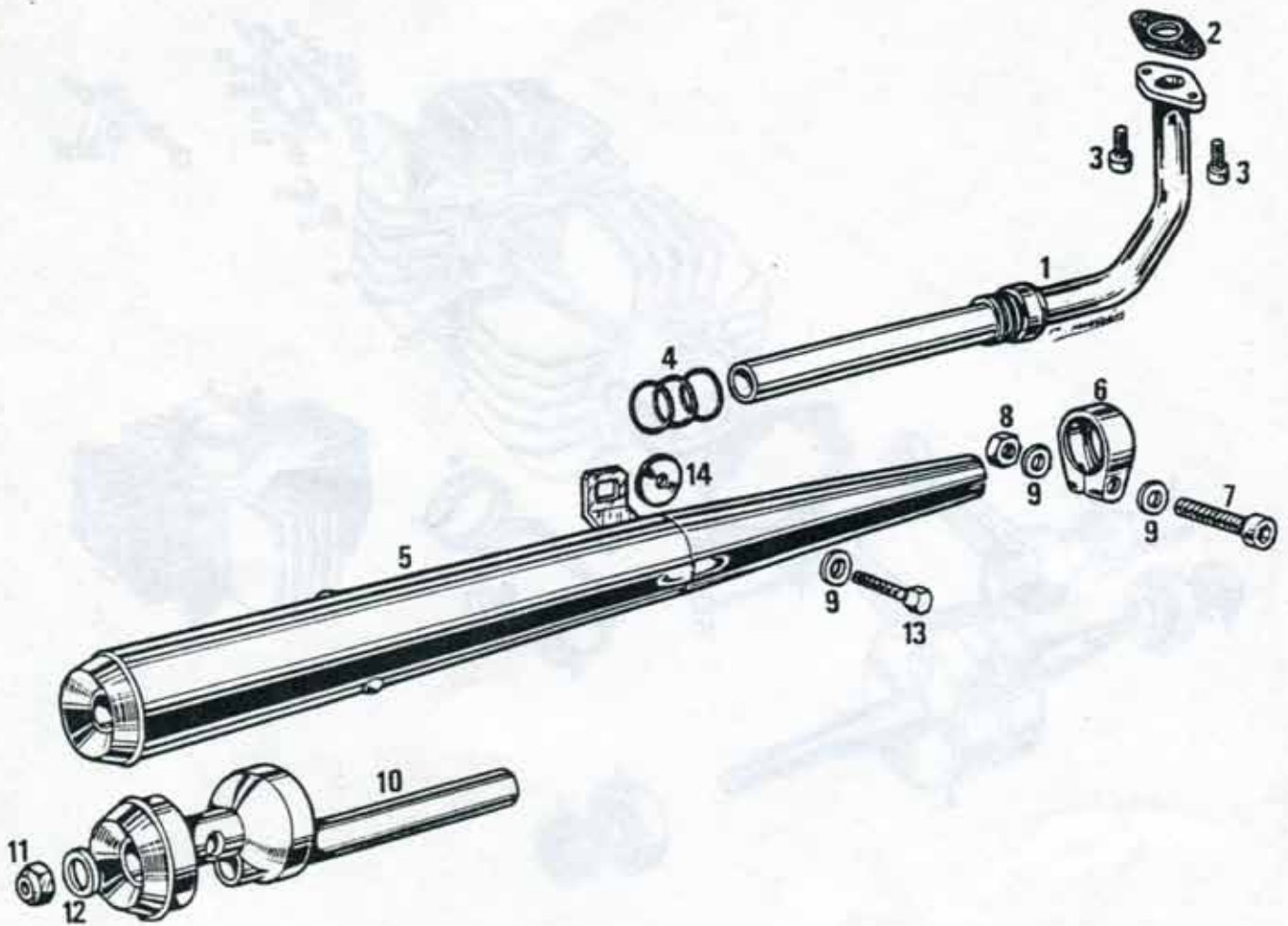


Make: Derbi
 Model DS-50
 system

Year 1987

Dwg.#9
 Section: Speedometer

<u>Fig</u>	<u>Part Number</u>	<u>Description</u>
01	0E01600051	VEGLIA speedometer drive
01	0E01620051	CEV speedometer drive
02	0E01610021	VEGLIA speedometer cable
02	0E01620021	CEV speedometer cable
03	0E04350031	CEV speedometer and Fuel gauge assembly
04	0000023050	Nut
05	0000031050	Washer
06	0E04300231	Speedometer bezel and lens

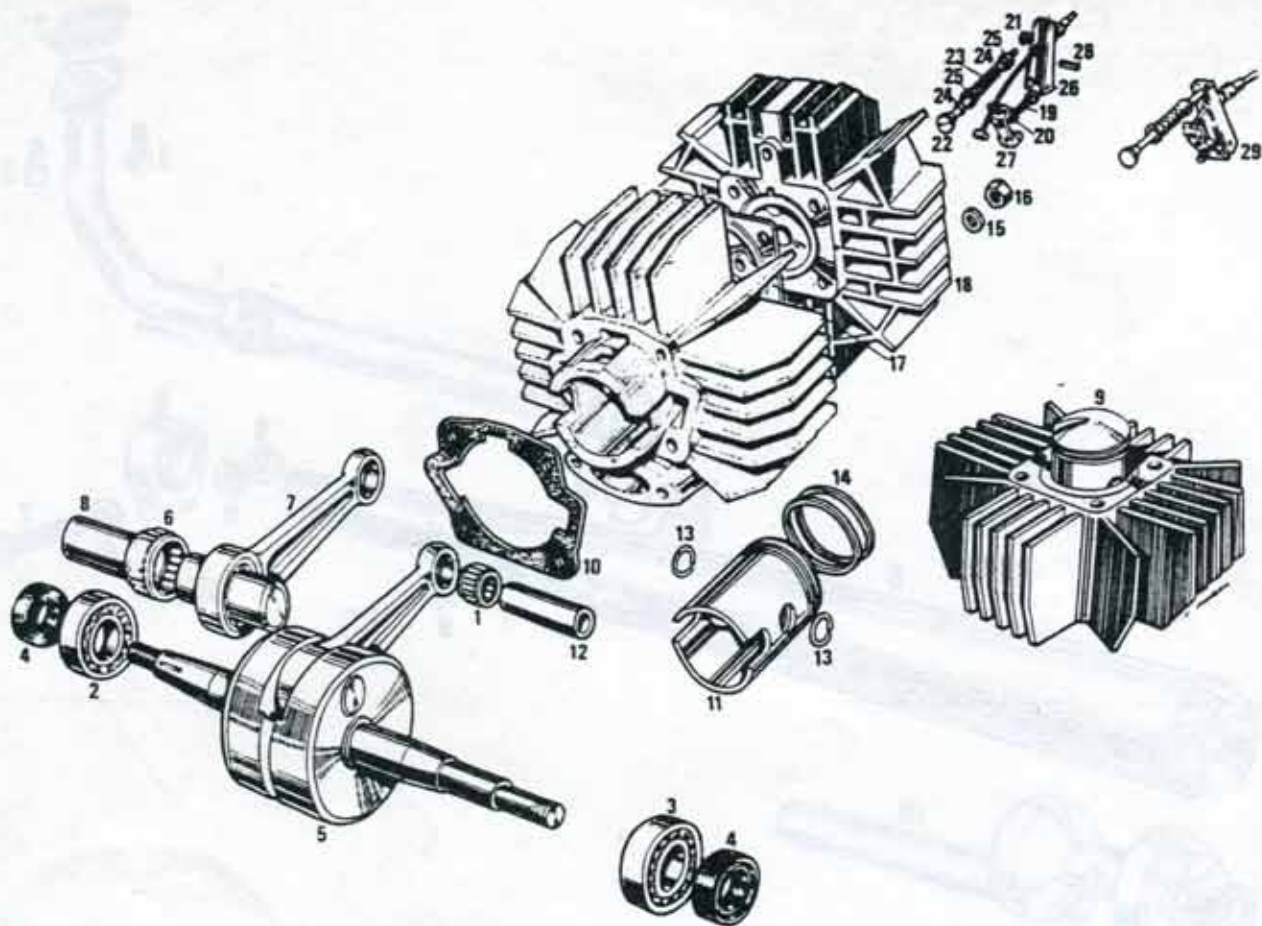


Make: Derbi
Model DS-50

Year 1987
Section: Exhaust System

Dwg.#10

Fig	Part Number	Description
01	0E03430011	Exhaust header pipe
02	0008234040	Exhaust flange gasket
03	0000004620	Exhaust flange mounting bolt
04	0003134320	Header pipe "O" ring seal
05	0E03410081	Muffler
06	ZD03400061	Muffler clamp
07	0000004835	Muffler clamp bolt 8M-1.25x35
08	0000021080	Muffler clamp nut 8M-1.25
09	0000031080	Flat washer 8mm
10	0A03400181	Exhaust baffle
11	0000023060	Nut self locking 6M-100
12	0000031060	Flat washer
13	0000002815	Allen head bolt 8M-1.25x15
14	0003515060	Muffler mounting spacer



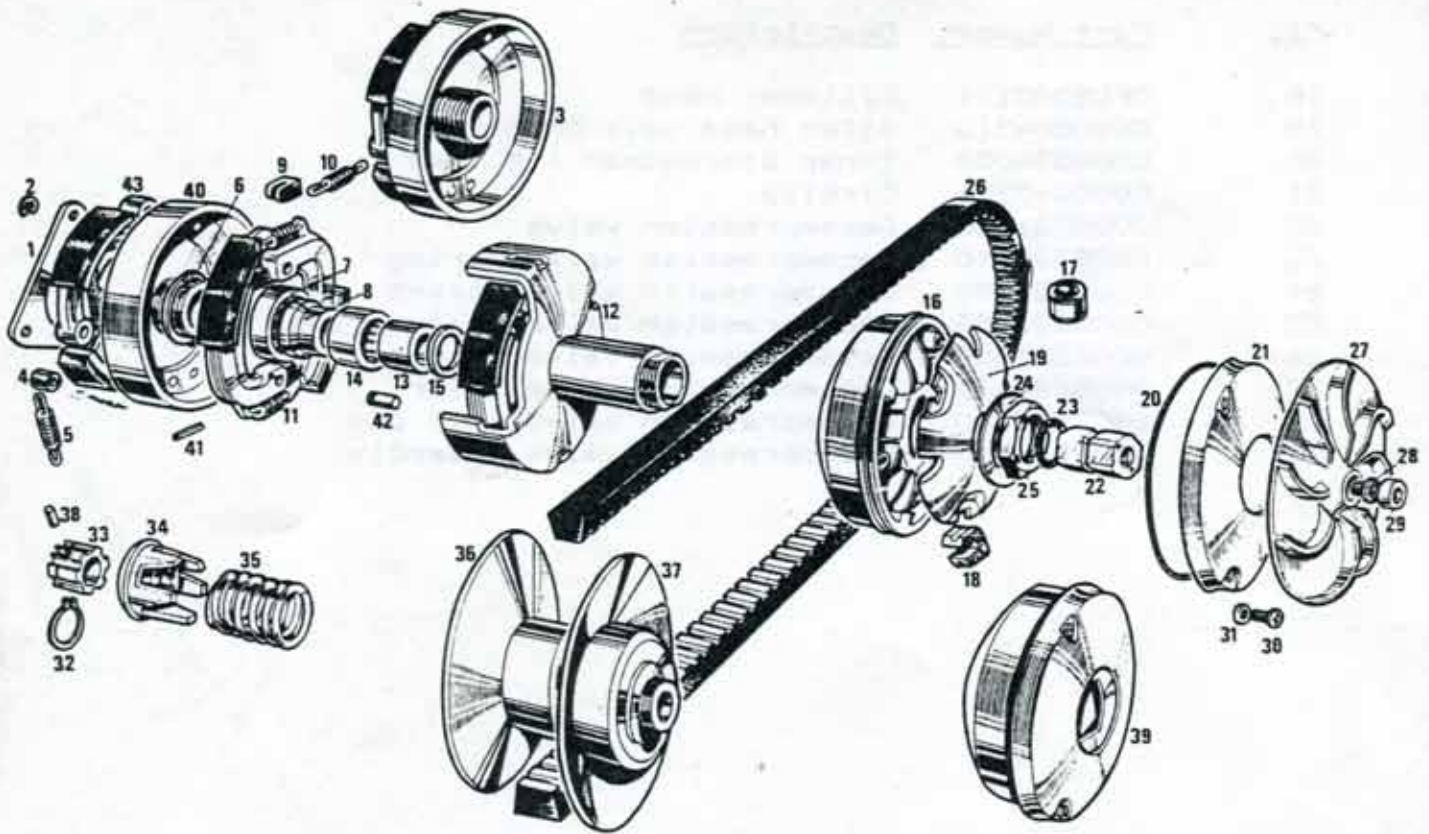
Make: Derbi
Model DS-50

Year 1987
Section: Cylinder/Crankshaft Assy.

Dwg.#11

<u>Fig</u>	<u>Part Number</u>	<u>Description</u>
01	16-1005	Upper rod bearing
02	0057120300	Crankshaft bearing 6203
03	0059020400	Crankshaft bearing
04	0F02500231	Crankshaft oil seal
05	0F02500141	Crankshaft
06	0003125180	Lower rod bearing
07	0F05000011	Connecting rod
08	0F02500191	Lower rod pin
09	0F05000121	Cylinder/piston assembly
10	0F02500041	Cylinder base gasket
11	0F02500091	Piston assembly w/rings
12	0003125120	Piston pin
13	0003125130	Piston pin circlip
14	0F02500111	Piston ring
15	0003125280	Cylinder stud washer
16	0008202730	Cylinder stud nut
17	0F02500021	Cylinder head gasket

<u>Fig</u>	<u>Part Number</u>	<u>Description</u>
18	0F05000171	Cylinder head
19	0000004510	Allen head bolt 5M-80x10
20	0000034050	Inner starwasher I.D. 5mm
21	0000047304	Circlip
22	0008231020	Decompression valve
23	0008231040	Decompression valve spring
24	0008231090	Decompression valve gasket
25	0008231100	Decompression valve seat spring
26	0008231050	Decompression valve bracket
27	0008231110	Decompression valve lever
28	0008231120	Decompression valve roll pin
29	0008231000	Decompression valve assembly



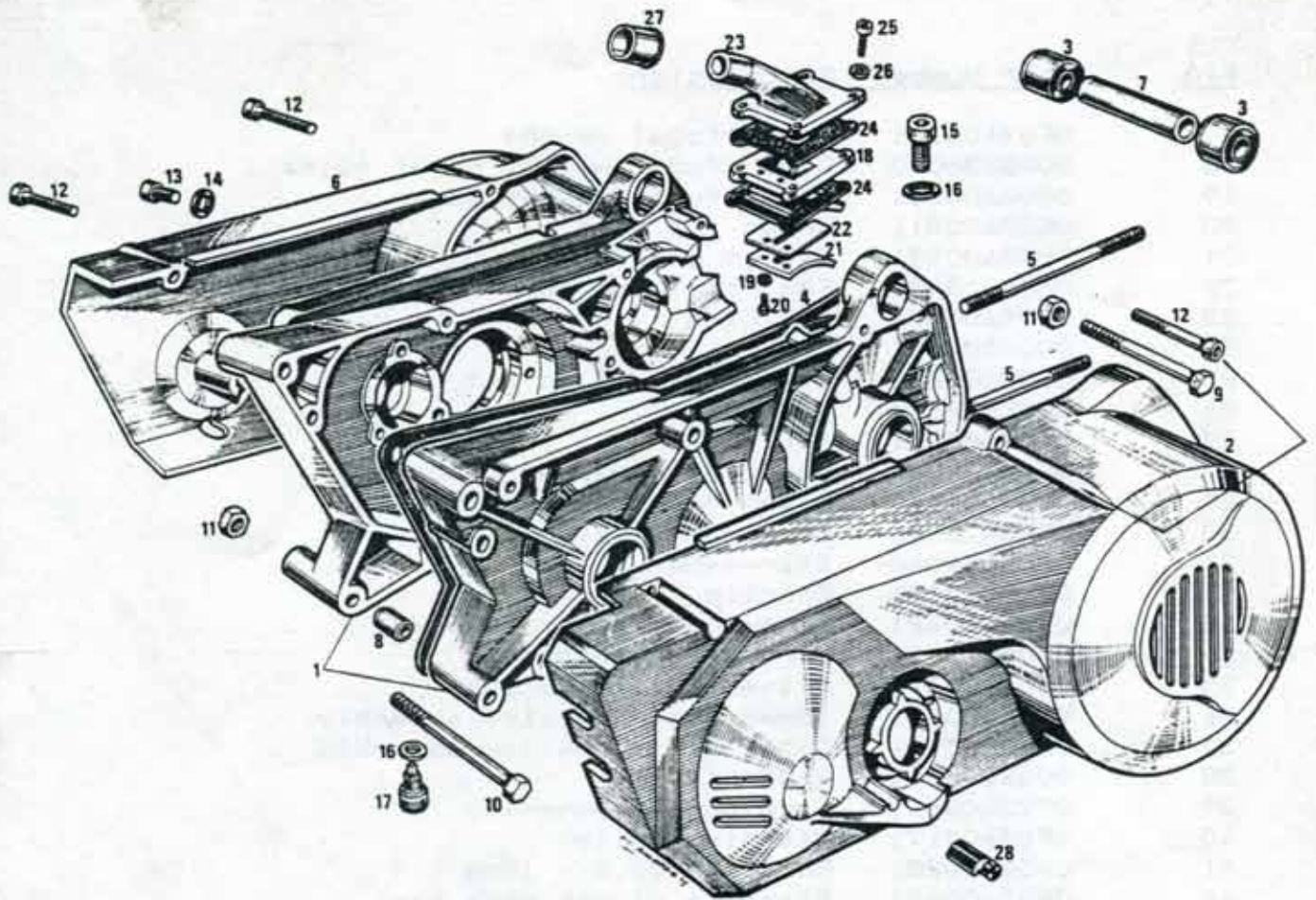
Make: Derbi
Model DS-50

Year 1987
Section: Torque Converter Assy.

Dwg.#12

<u>Fig</u>	<u>Part Number</u>	<u>Description</u>
01	OM02600411	Clutch support plate
02	0000047308	Circlip
03	OF02600821	Clutch drum assy. w/shoes
04	0008226440	Rubber bushing
05	OM02600811	Drive clutch spring
06	0000047232	Bearing retaining circlip
07	0000057201	Bearing 12x32x10
08	0008226730	Inner bearing spacer
09	0008226070	Return rubber cushion
10	OF02610771	Starting clutch shoe spring
11	OF02610151	Starting clutch shoe set w/springs
12	OF02610041	Clutch assembly
13	0008226480	Outer bearing spacer
14	0008226720	Outer drive pulley bearing
15	OE02600651	Washer
16	OF02600461	Outer drive pulley assembly

<u>Fig</u>	<u>Part Number</u>	<u>Description</u>
17	OF03600111	Centrifugal weight
18	0008236090	Centrifugal weight cover guide
19	OM02600831	Centrifugal weight cover
20	OE02600311	Cover "O" ring
21	OM02600931	Clutch cover
22	OF02610401	Fan retaining nut
23	OF02600881	"O" ring
24	0008226241	Washer
25	0008226261	Clutch retaining nut
26	0008226370	Drive belt
27	OF02600331	Fan
28	0000034060	Inner star washer Dia. 6mm
29	0000004615	Allen head bolt 6M-1.00x15
30	0000012410	Screw 4M-0.7x10
31	0000034040	Starwasher
32	0000047125	Circlip
33	OF02600621	Torque converter bushing
34	OF02600131	Torque converter cam
35	OF02600211	Driven pulley spring
36	OF02600121	Inner driven pulley assembly
37	OF03600161	Outer driven pulley assembly
38	0066108000	Woodruff key
39	OF03600611	Dive pulley assemby
40	OF02600171	Starting pulley
41	0A02600281	Roll pin 22.5 x 12mm
42	OF02600091	Starting clutch shoe pin
43	OF03600271	Clutch shoes w/spring
44	OF02600401	Drive pulley nut



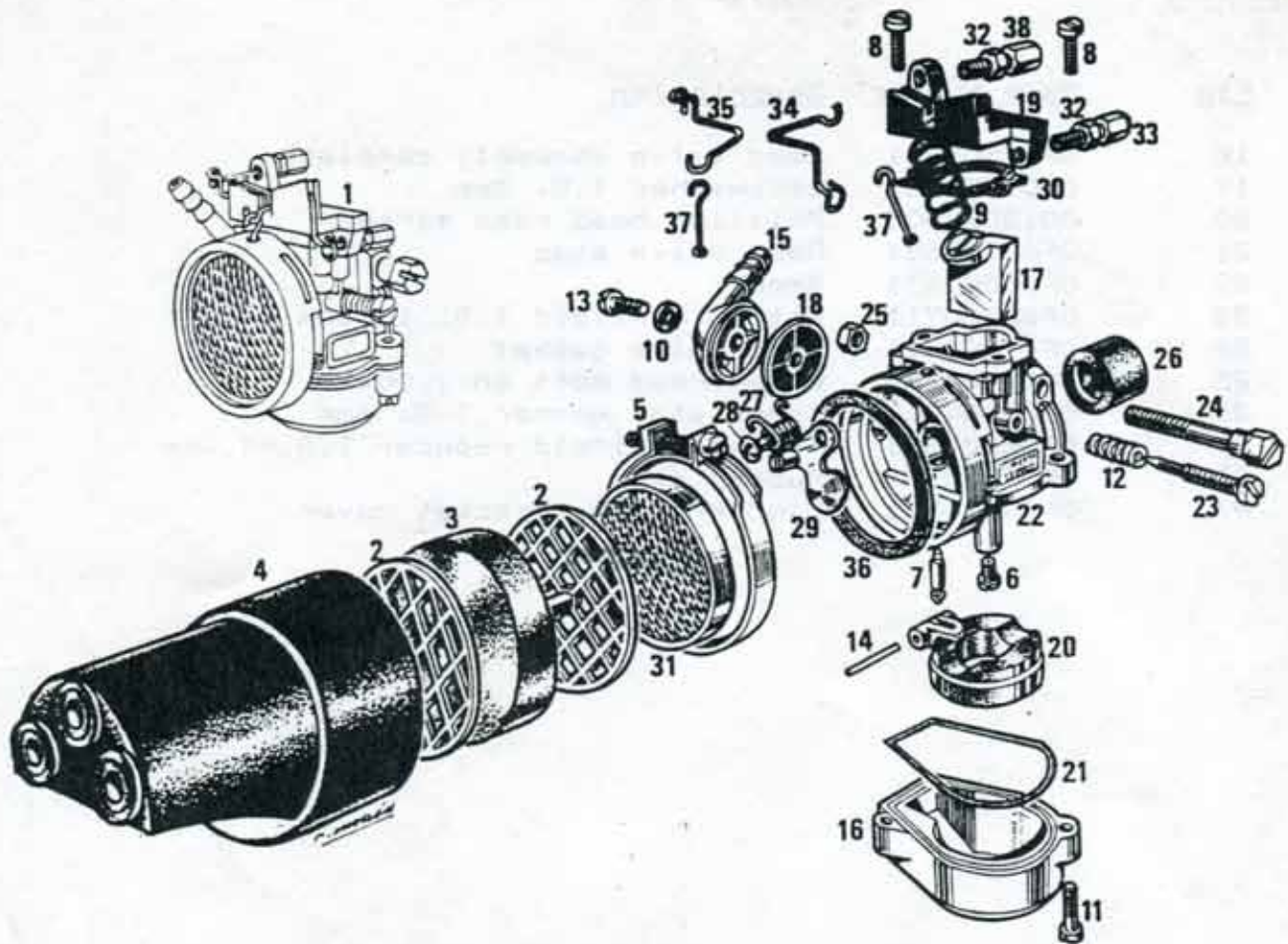
Make: Derbi
Model DS-50

Year 1987
Section: Engine Centercase Assy.

Dwg.#13

<u>Fig</u>	<u>Part Number</u>	<u>Description</u>
01	OF03020631	Crankcase assembly
02	OE03030151	Right hand crankcase cover
03	OF02210711	Silentblock
04	OF03000031	Centercase gasket
05	OF03000051	Cylinder stud
06	OF03020201	Electric start motor housing
07	OF03010071	Silentblock bushing
08	OA03010021	Crankcase dowel pin
09	0000002650	Hex head engine case bolt
10	0000002670	Hex head engine case bolt
11	0000021060	Hex head nut 6M-100
12	0000004630	Allen head engine case bolt
13	0000004610	Allen head bolt 6M-1.00x10
14	0003102280	Sealing washer
15	0004011600	Allen head bolt
16	OA03000121	Drain plug gasket
17	OA03000421	Magnetized drain plug

<u>Fig</u>	<u>Part Number</u>	<u>Description</u>
18	OF02500641	Reed valve assembly complete
19	0000033030	Lockwasher I.D. 3mm
20	0012030800	Phillips head reed screw
21	OF02500631	Reed valve stop
22	OF02500651	Reed
23	OF02500711	Intake manifold I.D. 13.0mm
24	OF02500811	Reed valve gasket
25	0000004620	Allen head bolt 6M-1.00x20
26	0000034060	Inner star washer I.D. 6mm
27	OF02500581	Intake manifold reducer I.D.=9.0mm
28	OE02920381	Rubber stop
N/I	OF03010241	Countershaft sprocket cover



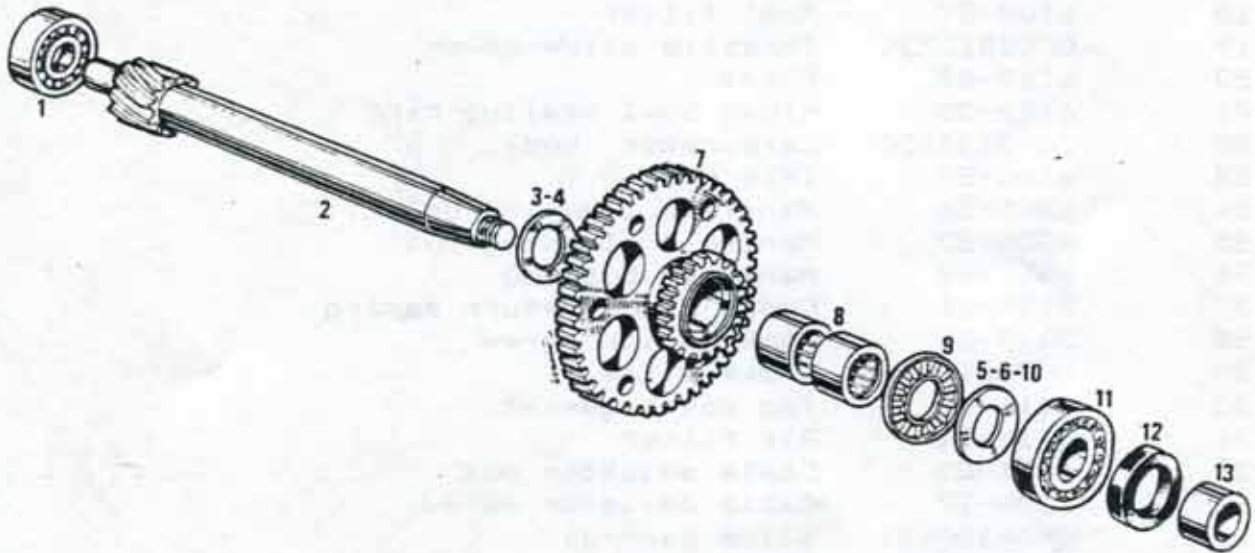
Make: Derbi
Model DS-50

Year 1987
Section: Carburetor

Dwg.#14

<u>Fig</u>	<u>Part Number</u>	<u>Description</u>
01	0E03230011	Carburetor comp. less air filter assy.
02	0008032800	Filter screen
03	0008032250	Air filter element
04	0008018540	Air filter cover
05	0003532270	Air filter cover clamp assy.
06	1486/54	Fuel jet #54 (stock)
--	1486/56	Fuel jet #56
--	1486/58	Fuel jet #58
07	2838-05	Float needle valve
08	3318-36	Top cover screw
09	3346-61	Throttle slide return spring
10	3385-30	Fuel inlet sealing washer
11	3598-36	Float bowl screw
12	3606-61	Idle screw spring
13	4190-36	Fuel inlet bolt
14	8773-22	Float pivot pin
15	0003132190	Fuel inlet (banjo)

<u>Fig</u>	<u>Part Number</u>	<u>Description</u>
16	6107-96	Float bowl
17	6108-64	Throttle slide
18	6109-29	Fuel filter
19	0F03210231	Throttle slide cover
20	6122-80	Float
21	6123-30	Float bowl sealing ring
22	0003132300	Carburetor body
23	6140-37	Idle screw
24	6305-36	Manifold clamping bolt
25	6304-27	Manifold clamping nut
26	6448-62	Manifold bushing
27	7179-61	Choke slide return spring
28	5417-22	Choke slide screw
29	0F03210711	Choke slide
30	6111-30	Top cover gasket
31	6117-86	Air filter
32	1691-27	Cable adjustor nut
33	1104-37	Cable adjustor screw
34	0F04100461	Slide control
35	0F04100471	Blade control
36	6159-30	Air filter gasket
37	0F04100481	Slide hook
38	0F03200921	Throttle cable adjustor



Make: Derbi
Model DS-50

Year 1987
Section: Reduction Gearshaft assy.

Dwg.#15

<u>Fig</u>	<u>Part Number</u>	<u>Description</u>
01	0057030100	Bearing 6301-C3
02	OF02800301	Driven pulley shaft
03	OF02810251	Washer 2.0mm
04	OF02810252	Washer 1.5mm
05	OF02820992	Washer 1.9mm
06	OF02820993	Washer 2.1mm
07	OF03520581	Sprocket
08	0008226720	Outer driven pulley bearing
09	OF02800191	Thrust bearing
10	OF02820991	Washer 2.0mm
11	0000057302	Bearing LH 6302-C3
12	OF02800471	Seal 20x35x7
13	OF04010311	Bushing



PARTS LIST AND SCHEMATIC TO FOLLOW

Make: Derbi
 Model DS-50

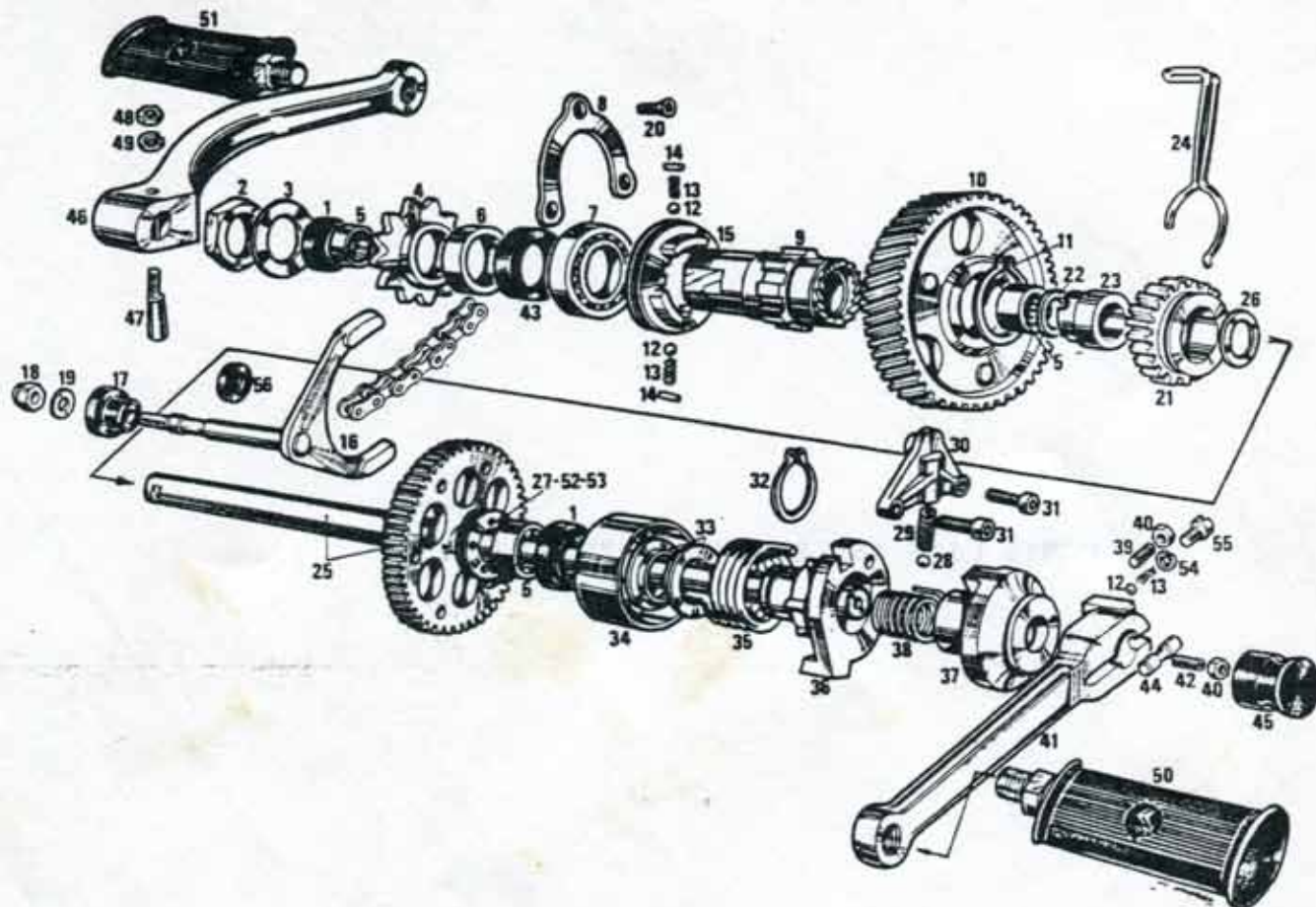
Year 1987

Dwg.#16

Section: Ignition (Electronic Magneto)

Fig Part Number Description

<u>Fig</u>	<u>Part Number</u>	<u>Description</u>
1	100000000	Ignition coil
2	100000001	Ignition switch
3	100000002	Ignition cable
4	100000003	Ignition points
5	100000004	Ignition points cover
6	100000005	Ignition points spring
7	100000006	Ignition points contact
8	100000007	Ignition points contact spring
9	100000008	Ignition points contact pin
10	100000009	Ignition points contact pin spring
11	100000010	Ignition points contact pin pin
12	100000011	Ignition points contact pin pin spring
13	100000012	Ignition points contact pin pin pin
14	100000013	Ignition points contact pin pin pin spring
15	100000014	Ignition points contact pin pin pin pin
16	100000015	Ignition points contact pin pin pin pin spring
17	100000016	Ignition points contact pin pin pin pin pin
18	100000017	Ignition points contact pin pin pin pin pin spring
19	100000018	Ignition points contact pin pin pin pin pin pin
20	100000019	Ignition points contact pin pin pin pin pin pin spring



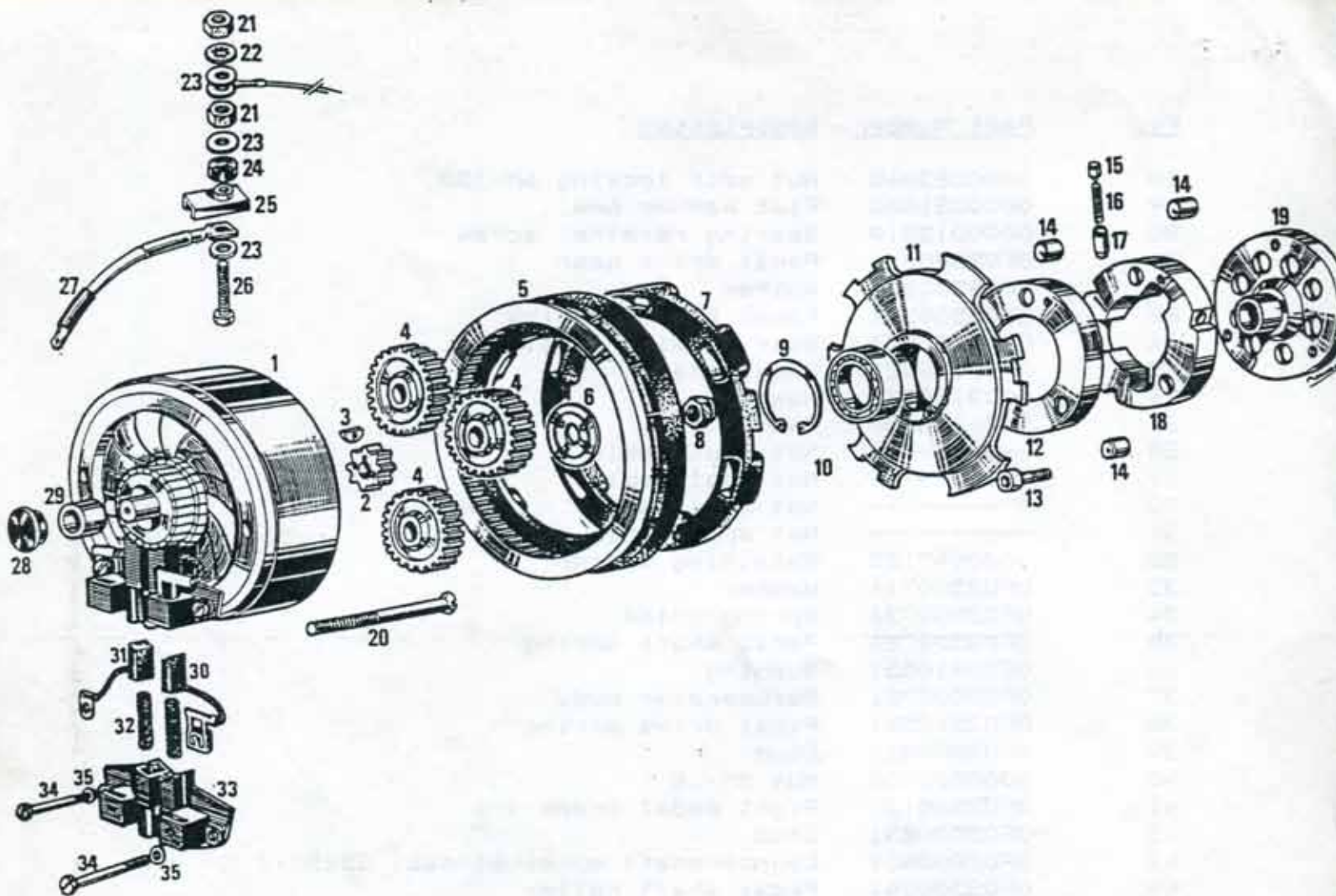
Make: Derbi
Model DS-50

Year 1987
Section: Pedal Shaft Assy.

Dwg.#17

<u>Fig</u>	<u>Part Number</u>	<u>Description</u>
01	0008235300	Pedal shaft seal 16x24x4
02	0F02800391	Nut
03	0F02800421	Retaining washer
04	0E04000431	Countershaft sprocket
05	0008226720	Outer drive pulley bearing
06	0F02820381	Sprocket spacer
07	0056000600	Bearing
08	0F02800281	Bearing retainer
09	0F04010211	Reducer bushing w/needle bearing
10	0F04020281	Transmission gear
11	0000047132	Snap ring
12	0000061040	Ball Dia. 4mm
13	0F04000371	Shifter fork spring
14	0F02800081	Shifter pin
15	0F04000401	Shifter dog w/pin
16	0F04000361	Shifter fork
17	0F02800051	Shifter engagement knob

<u>Fig</u>	<u>Part Number</u>	<u>Description</u>
18	0000023060	Nut self locking 6M-100
19	0000031060	Flat washer 6mm
20	0000013510	Bearing retainer screw
21	0F03520261	Pedal drive gear
22	0F03500631	Washer
23	0F03500531	Pedal shaft bushing
24	0F03500321	Gear retaining clip
25	0F03510521	Pedal shaft
26	0003128251	Washer
27	0006128280	Washer
28	-----	Not applicable
29	-----	Not applicable
30	-----	Not applicable
31	-----	Not applicable
32	0000047125	Retaining washer
33	0F03500711	Washer
34	0F03500731	Spring guide
35	0F03500721	Pedal shaft spring
36	0E02910551	Bushing
37	0F03500781	Recuperator body
38	0F03510821	Pedal drive spring
39	0F03500811	Stud
40	0000021050	Nut 5M-.8
41	0F03520131	Right pedal crank arm
42	0F03500831	Stud
43	0F02800401	Countershaft sprocket seal 35x50x7
44	0F03500041	Pedal shaft roller
45	0F03500801	Pedal shaft end cap
46	0F03500031	Left pedal crank arm
47	0008235040	Pedal crank pin 7M-1.00
48	0000021070	Nut 7M-1.00
49	0000033070	Lock washer 7mm I.D.
50	0006835120	Right pedal
51	0F03500021	Left pedal
52	0B02800282	Spacer 0.9mm
53	0B02800283	Spacer 1.1mm
54	0000033060	Spring lockwasher Dia. 6mm
55	0007060800	Screw
56	0F02810361	Shifter shaft seal 10x16x4



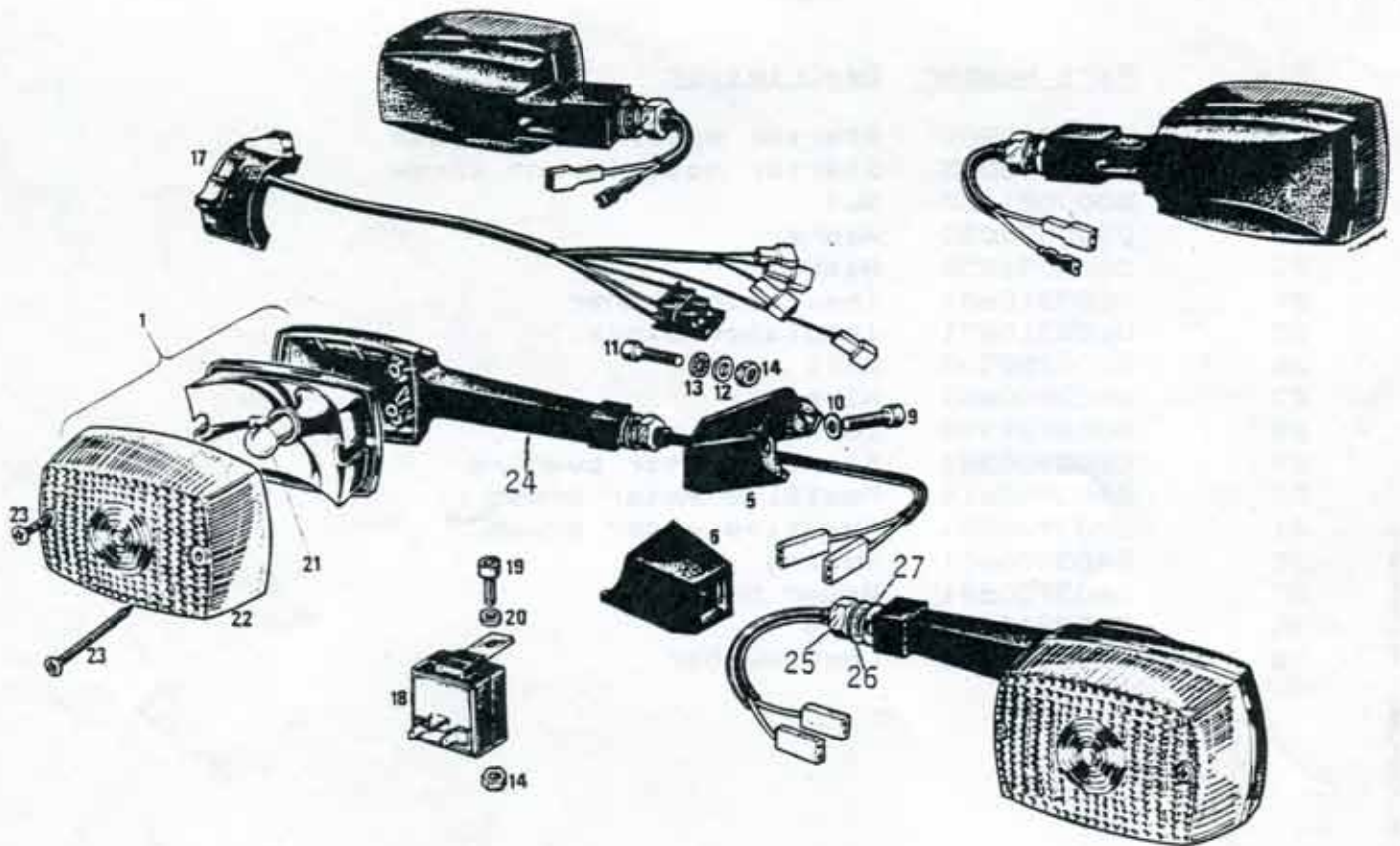
Make: Derbi
Model DS-50

Year 1987
Section: Electric Start Motor

Dwg.#18

<u>Fig</u>	<u>Part Number</u>	<u>Description</u>
01	OF03910201	12 volt starter motor
02	OE03910191	Pinion gear
03	0008239400	Pinion gear key
04	OE03910691	Planetary gear
05	OE03910171	Ring gear
06	OE03910131	Washer
07	OE03900791	Rubber disc.
08	0000023060	Nut
09	0047023500	Circlip
10	0058000300	Bearing 6003 2RS C-3 17x35x10
11	OE03900761	Steel finger plate
12	OE03900071	Starter motor clutch cover
13	0004061600	Allen bolt
14	OE03900091	Starter motor clutch roller
15	OE03900121	Pin
16	OE03900111	Spring
17	OE03900101	Spring retainer
18	OF03900061	Starter motor clutch roller retainer

<u>Fig</u>	<u>Part Number</u>	<u>Description</u>
19	OE03900801	Starter motor clutch base
20	0000013535	Starter motor mount screw
21	0000021050	Nut
22	0000034050	Washer
23	0000031050	Washer
24	OE03310681	Insulator washer
25	OE03310671	Insulator block
26	0004252500	Bolt
27	OF03900681	Wire
28	0008239390	Lubrication plug
29	OE03900381	Starter motor bushing
30	OA03900611	Positive motor brush
31	OA03900581	Negative motor brush
32	OA03900601	Spring
33	OA03900591	Brush housing
34	OA03900821	Bolt
35	0036000400	Lock washer



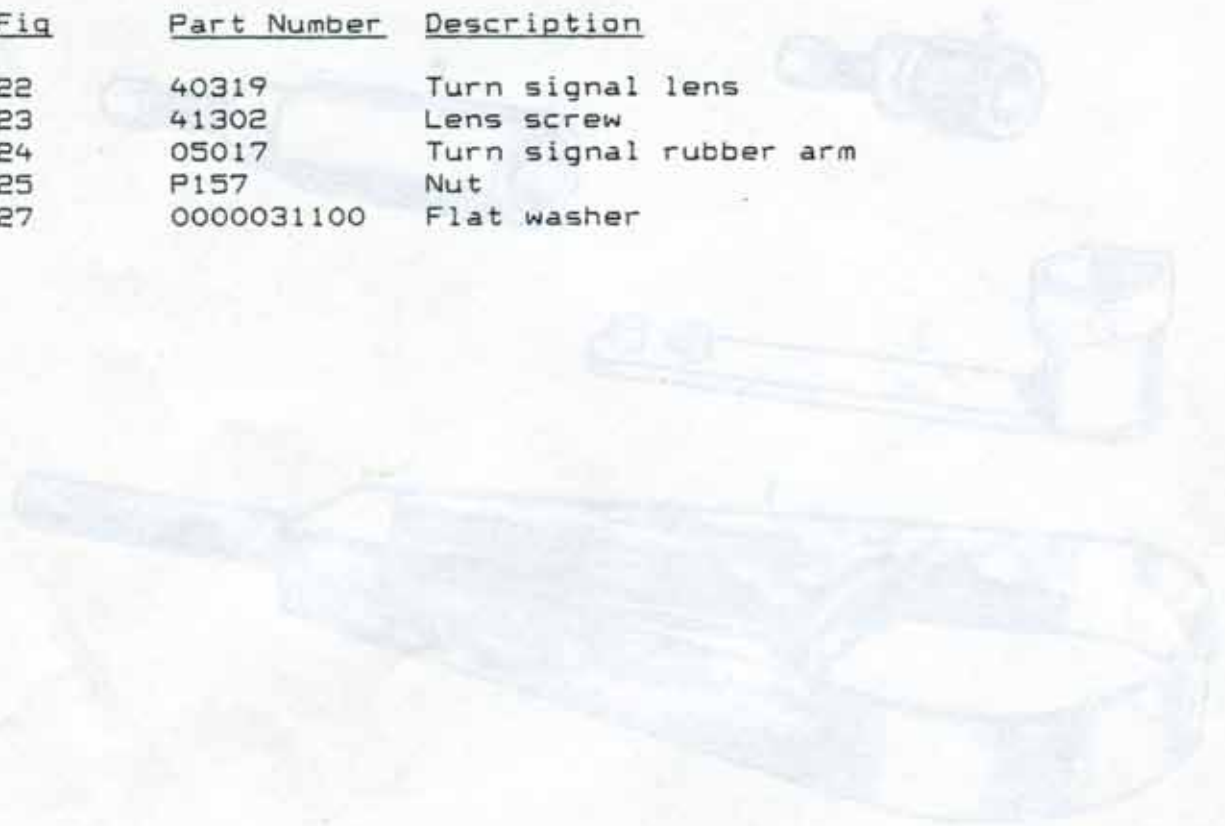
Make: Derbi
Model DS-50

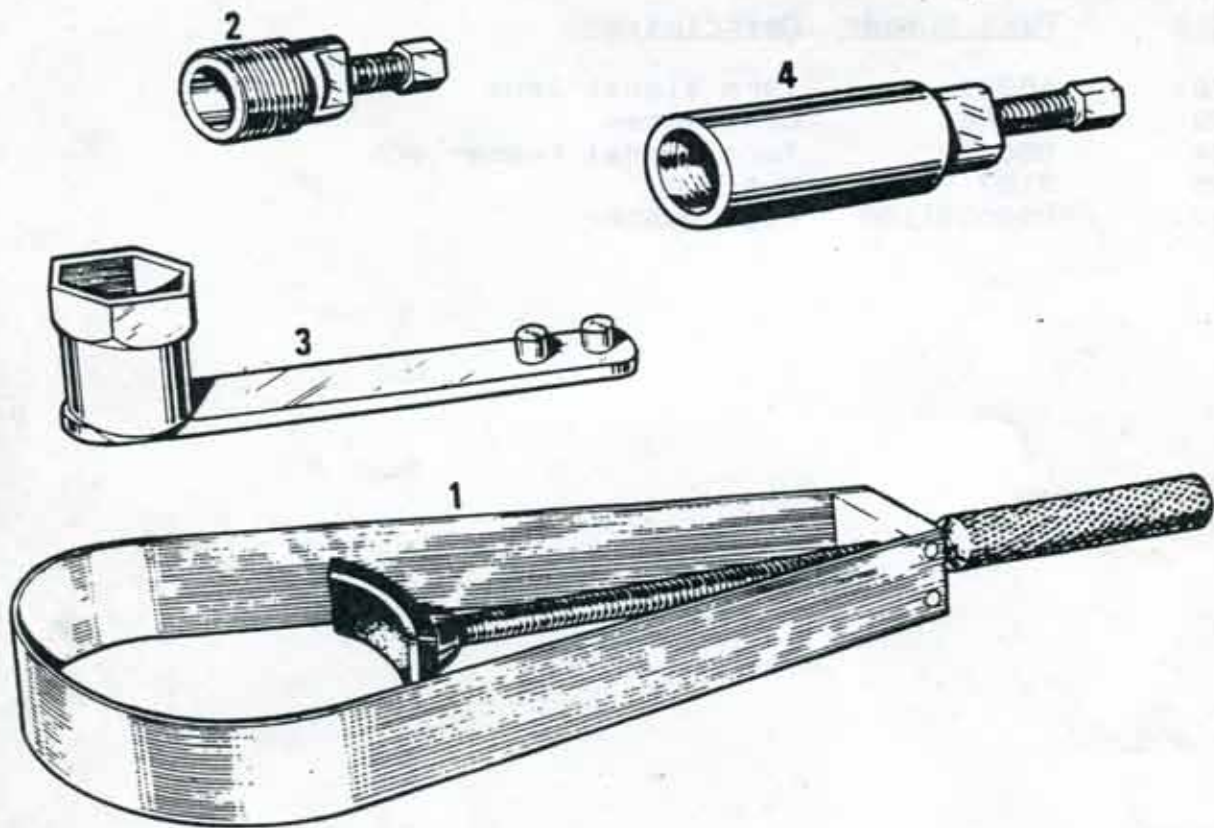
Year 1987
Section: Turn Signals

Dwg.#19

<u>Fig</u>	<u>Part Number</u>	<u>Description</u>
01	9435.3	Turn signal assembly complete front or rear NOTE: When ordering a 9435.3 lamp assembly it is supplied with a <u>6</u> volt 10 watt bulb. This bulb must be replaced with a 12 volt 10 watt bulb #H-101H.
05	0E01700191	Right front turn signal support
06	0E01700201	Left front turn signal support
09	0004154000	Allen bolt 5x80x40mm
10	0000031050	Washer 5mm
11	0000004620	Allen bolt 6mmx100x20
12	0000031060	Washer 6mm
13	0000034060	Star washer 6mm
14	0000021060	Nut 6mm x 100
17	R100823204	CEV turn signal and light switch
18	R301877102	CEV 12 volt turn signal flasher
19	0000004610	Allen bolt
20	0003110610	Washer
21	H-101H	Turn signal bulb 12v 10w

<u>Fig</u>	<u>Part Number</u>	<u>Description</u>
22	40319	Turn signal lens
23	41302	Lens screw
24	05017	Turn signal rubber arm
25	P157	Nut
27	0000031100	Flat washer





Make: Derbi
Model DS-50

Year 1987
Section: Shop Tools

Dwg.#20

<u>Fig</u>	<u>Part Number</u>	<u>Description</u>
01	0005253240	Flywheel magneto holder
02	0008853010	Magneto extractor
03	0008253290	Flywheel wrench 35mm
04	0008254740	Clutch drum extractor