

HONDA

PARTS CATALOG

Z50A,K1,K2

Mini Trail 50

AMERICAN HONDA MOTOR CO., INC.

May, 1994

Second Edition

© American Honda Motor Co., Inc. 1994

PRINTED IN USA

140452M

TABLE OF CONTENTS

	Grid	Page
How To Use This Catalog	A 2	iv
Serial Numbers	A 3	vi
Construction Of Vehicle Identification Number (V.I.N.)..	A 3	vii
Color Tables	A 4	viii
Manuals	A 4	ix
Model ID Photos	A 5	x
Specifications	A 5	xi
Bulk Hose	A 7	xiv
Commonly Required Replacement Parts	A 8	xvi
Contents By Page No. Sequence	A 9	xviii
Contents In Alphabetical Order	A 9	1
Part Groups		
Engine Group	B 1	2
Frame Group	D 1	44
Index		
Part Number Index	G 1	106
Description Index	H 1	114

© American Honda Motor Co., Inc. 1994 iii

GRID

A1

HOW TO USE THIS CATALOG

This parts catalog is to be used when ordering replacement parts for the model (s) specified on the microfiche strip.

CATALOG PAGE BREAKDOWN

MODEL(S)	MODEL APPLICATION						AREA CODE	ENGINE SERIAL NUMBER FROM TO	QTY REQ	PART NUMBER	HONDA CODE
	1	1	1	1	1	1					
	9	9	9	9	9	9					
	8	8	8	8	8	8					
	4	5	6	7	4	5	6	7			
REF. NO.	BLOCK NO.	E-1									
	DESCRIPTION										

1. REF NO. — Reference number corresponding with the reference numbers on the illustrations. * All illustrations are representative only and do not necessarily correspond exactly to the actual part. *N* signifies the part is not illustrated.

2. DESCRIPTION — Describes the part for the related part number.

Abbreviations:

ASSY.	- Assembly	L (100L)	- Link (100 Links)
COMP.	- Complete	A.C.	- Alternating
R	- Right		- Current
L	- Left	D.C.	- Direct Current
STD	- Standard	IN	- Inlet
MM	- Millimeter	EX.	- Exhaust
G	- Gram	FR.	- Front
T (22T)	- Tooth (22 Teeth)	RR.	- Rear
A	- Ampere	HEX.	- Hexagonal
V	- Volt	A.M.	- Attaching Mark
W	- Watt	T.M.	- Transcript Mark
KPH	- Kilometer Per Hour	C.D.I.	- Capacitive Discharge Ignition
MPH	- Miles Per Hour	WL	- With Labeling
		WOL	- Without Labeling

Decision for 'R' or 'L'. 'R' or 'L' in the description of a part stands for the Right hand side or the Left hand side which is decided by the forward direction of travel of the vehicle.

3. MODEL APPLICATION — Model application for the various models listed within the catalog. Single model applications will not require this section.

3a. MODEL YEAR GUIDE — A guide to the part application. (prior to 1976 the guide reference is the model designation i.e., K0, K1, etc... For 1976 and above the guide reference is the last digit of the model year i.e., 1976=6; 1977=7; 1985=5 etc...)

4. AREA CODE — Area codes for parts that are unique to a particular area. Area codes are defined in the Serial Number application chart when applicable. This column will not be used in catalogs which do not include unique area codes.

5. SERIAL NUMBER — Applies to Engine or Frame serial numbers depending on the section. The serial number of the vehicle (frame, engine, carburetor) should be checked prior to ordering parts for a specific unit. In cases where a part has been modified, the serial number of the vehicle bearing the modification is listed in the 'SERIAL NUMBER' column.

The modification parts are controlled by each pertinent serial number below.

Engine serial number — Engine group parts (Block numbers beginning with 'E').

Carburetor identification number — Carburetor component parts.

Frame serial numbers — Frame group parts (Block numbers beginning with 'F'). Serial number application chart and Serial number locations are provided.

Note: Some models may be controlled by one serial number only.

HOW TO USE THIS CATALOG

- QTY REQ — Quantity required per unit as specified.
 - *N* in place of the quantity indicates AS REQUIRED.
 - (*) or (*) by the quantity required indicates "optional".
- PART NUMBER — Part number corresponding to the reference numbers and application. Several part numbers may be listed under one (1) reference number. For your convenience the current supersede chain, as or part data, has been listed for you. Supersede chains are subject to change without notice.

MAKE-UP OF PART NUMBERS

All parts are classified into two groups consisting of GENERAL PARTS and STANDARD PARTS. All parts are numbered in accordance with system described below:

General Parts

Example: Fork comp. Part No. 51-05-GR1-700ZA
 Function No. 51
 Component No. 105
 Parts Classification No. -GR1-
 Classification No. 700
 *Color Code ZA

Standard Parts

Example: 8 x 8 Hex., Bolt Part No. 92000-08018-1A
 Function No. 92
 Type No. 000
 Dimensions -08018-
 ISO Standard Designation 1
 Chemical Surface Treatment A

* The color code at the end of a General Part's part number indicate the color. However, color codes such as ZA, ZB, ZC onward except ZZ, do not indicate the color directly but refer to the notes in the Description Column of this Parts Catalog Microfiche. If the color description is not indicated in the text, refer to the color table.

8. HONDA CODE — The Honda Code is listed to the right of each Part Number.

A. ADDITIONAL INFORMATION — The table of contents located at the right of each microfiche grid lists sectioned titles in alphabetical order. Some microfiche will require separate tables of contents for the Engine and Frame sections which will be noted in a sub-heading; the introduction section (Row "A") of these microfiche will have the contents of the Engine Section on even number grids and the contents of the Frame Section on odd number grids.

NOTE:

- The Block No. listed in the upper right hand corner of the Description heading refers to a complete illustration page and it's text, and should not be confused with the GRID NO. when using microfiche.
- Rear view mirrors are standard equipment on all street legal models.

SERIAL NUMBERS

Models and applicable serial numbers

Models and applicable serial Nos. given in this parts catalog can be identified as follows
Parts with types are exclusive for models destined for countries designated.
If no types are listed, parts are for common use.

Model	Applicable Engine Serial No.	Applicable Frame Serial No.	Applicable Carburetor Identification No.
Z50A	Z50AE-100001 ~	Z50A*100001 ~ 120087	
Z50AK1	Z50AE-120088 ~	Z50A*120088 ~ 270235	
Z50AK2	Z50AE-270236 ~	Z50A*270236 ~ 387884	

CONSTRUCTION OF VEHICLE IDENTIFICATION NUMBER (V.I.N.)

(Example) W.M.I. V.D.S. V.I.S. W.M.I. World manufacturer identifier
J H 2 R C 0 4 0 • B M 2 0 0 0 0 1 V.D.S. ... Vehicle descriptor section
V.I.S. ... Vehicle indicator section

Sequential Production number

Plant representation

A ... OHIO factory in U.S.A.
B ... AALST factory in BELGIUM
C ... SAITAMA factory in JAPAN
D ... GUADALAJARA factory in MEXICO
E ... MONTESSA factory in SPAIN
F ... ATESSA factory in ITALY
K ... KUMAMOTO factory in JAPAN
M ... HAMAMATSU factory in JAPAN
R ... MANAUS factory in BRAZIL
S ... SUZUKA factory in JAPAN
T ... TOCHIGI factory in JAPAN

Model year

(Example)
B . 19d1 C .. 1982 D .. 1983 X . 1999
<Except I.O.Q.U>

Check digit

This code is used to detect errors in the V.I.N. and consists of a single-digit number (0-9) or a letter "X". It has no direct bearing upon the V.D.S. and V.I.S.

Vehicle description code

(Example) RC040 .. CB750F NC030 .. CB400T
Refer to: SERIAL NUMBERS

Make and Type of vehicle

JH2 ... HONDA, Motorcycle (Manufactured in JAPAN)
1HF ... HONDA, Motorcycle (Manufactured in U.S.A.)
YC1 ... HONDA, Motorcycle (Manufactured in BELGIUM)
9C2 ... HONDA, Motorcycle (Manufactured in BRAZIL)
3H1 ... HONDA, Motorcycle (Manufactured in MEXICO)
VTM ... HONDA, Motorcycle (Manufactured in SPAIN)
ZDC ... HONDA, Motorcycle (Manufactured in ITALY)
JH3 ... HONDA, All terrain vehicle (Manufactured in JAPAN)
47B ... HONDA, All terrain vehicle (Manufactured in U.S.A.)

Any change or modification of parts is directly related to the V.D.S. and V.I.S.
A V.I.S. number will appear in the "Serial No." column of the Parts Catalog if a part is changed or modified.

COMMENT:

This example is generic and applies to 1981 and newer vehicles. 1980 models and prior are referred to as "FRAME NUMBERS" and the construction is designed by using the model designation or code followed by a sequential number.

COLOR TABLES

Color chart

- (WL) = Stripes and labels other than caution labels are included in parts whose part name end in (WL).
- (WOL) = Stripes and labels are not included in parts whose part name end in (WOL).

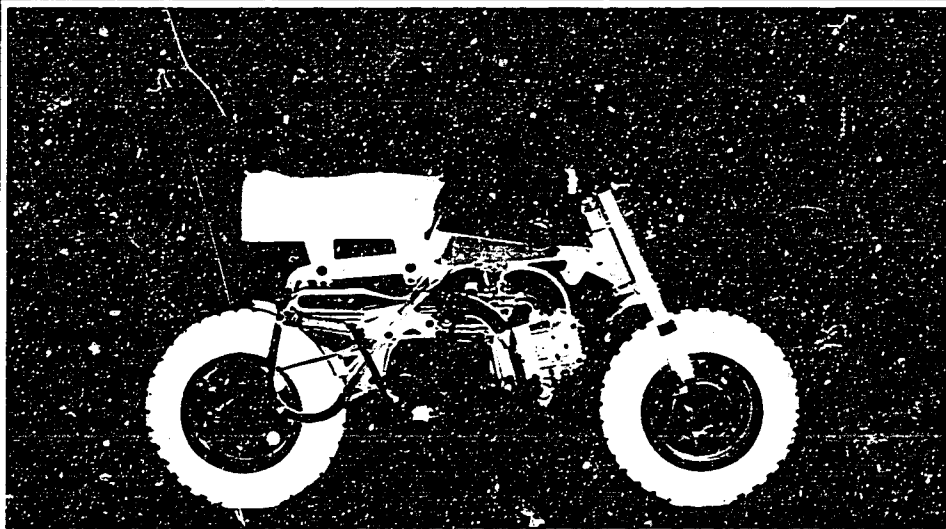
COLOR CODE TABLE (Color descriptions omitted from the main text of the catalog)

TYPE OF PARTS	COLOR CODE	COLOR DESCRIPTION
PAINTED PARTS	A	WHITE
	B	BLACK
	C	SCARLET
	E	ROYAL BLUE
	N	DARK BLUE
	Q	MARQUEM BLUE
	R	IVORY YELLOW
	S	DARK SILVER
	T	METALLIC SILVER
	Z	PRIMER
	ZZ	PRIMER
	XW	CHROME
	VINYL PARTS	A
B		BLUE
D		LIGHT BLUE
E		SCARLET
G		DARK ROSE
N		ELEPHANT GRAY & IVORY
Q		WHITE
V		IVORY

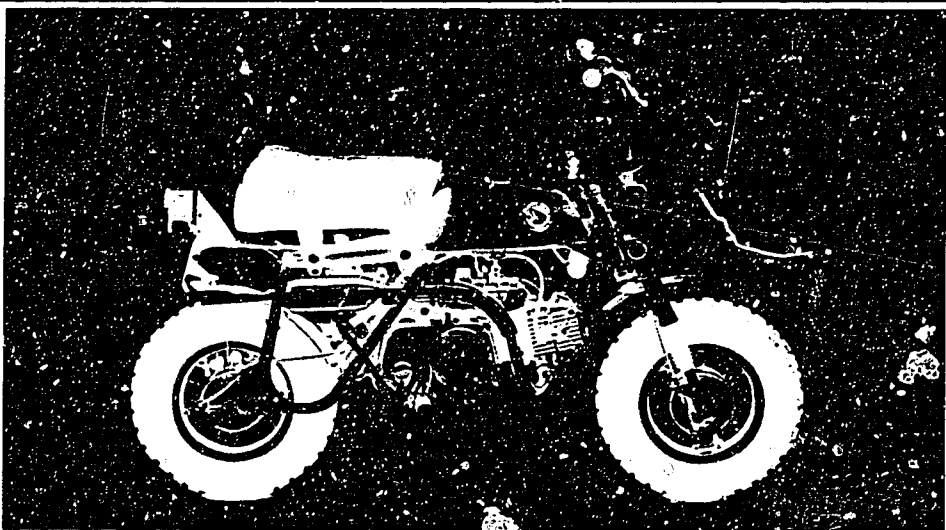
MANUALS

DESCRIPTION	PART NUMBER	H/C
Z50A,K1,K2 MICROFICHE	140452M	4416335

MODEL ID PHOTO



Z50A MINI TRAIL 50

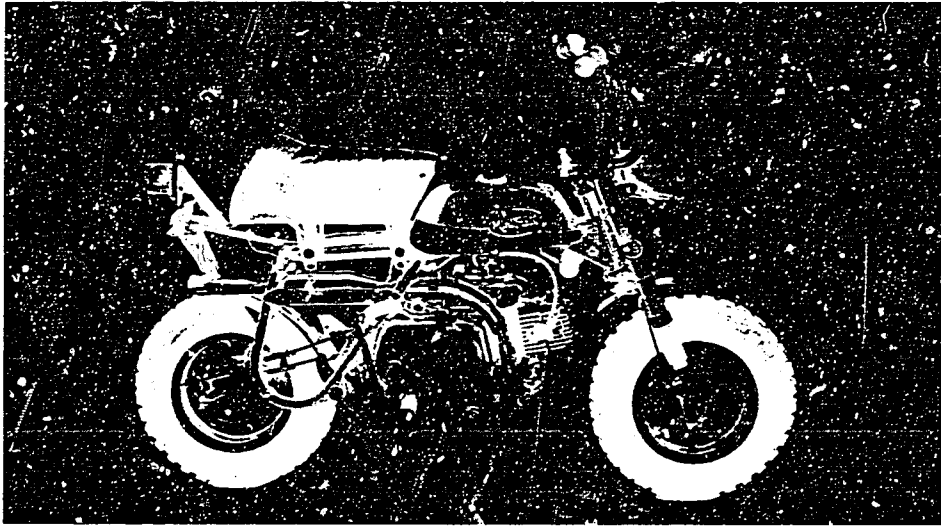


Z50AK1 MINI TRAIL 50

SPECIFICATIONS

SECTION/SUBJECT	Z50A	Z50AK1
ENGINE		
Cylinder	Single cylinder	Single cylinder
Strokes	4-Stroke	4-Stroke
Cooling	Air cooled	Air cooled
Camshaft	SOHC	SOHC
Valves per cylinder	2-Valve	2-Valve
Displacement	49cc	49cc
Lubrication system	Wet Sump	Wet Sump
Carburetor	Piston Valve; 11mm	Piston Valve; 11mm
Main jet	= 50	= 50
Slow jet	= 38	= 38
TRANSMISSION		
Transmission type	Manual	Manual
Transmission speeds	3 Speed	3 Speed
Clutch	Automatic	Automatic
Shaft pattern	N-1-2-3	N-1-2-3
CHASSIS		
Fuel tank capacity (Std)	1.0gal	1.0gal
Air filter type	Foam	Foam
Foam filter oil - Pro Honda	08207-0001	08207-0001
Countershaft sprocket	13T,12T	12T
Rear wheel sprocket	34T,35T	35T
Drive chain	420-74L, Regular	420-74L, Regular
Drive chain	420-73L, Regular	420-76L, Regular
Front Brake	Internal expand shoe	Internal expand shoe
Rear Brake	Internal expand shoe	Internal expand shoe
Front tire	3.50-8-2PR	3.50-8-2PR
Tire pressure	14PSI	14PSI
Rear tire	3.50-8-2PR	3.50-8-2PR
Tire pressure	14PSI	14PSI
SERVICE/TUNING		
Valve clearance:		
Intake	0.05mm (0.002")	0.05mm (0.002")
Exhaust	0.05mm (0.002")	0.05mm (0.002")
Ignition type	Flywheel Magneto	Flywheel Magneto
Points gap	0.3-0.4mm (0.012-0.016")	0.3-0.4mm (0.012-0.016")
Spark plug gap	0.6-0.7mm (0.024-0.28")	0.6-0.7mm (0.024-0.28")
LUBRICATION		
Recommended fuel	86 + Octane	86 + Octane
Engine oil - Pro Honda:		
GN4 10W40	08C35-A141M01	08C35-A141M01
GN4 20W50	08C35-A251M01	08C35-A251M01
Engine oil capacity:		
After draining	0.85qt	0.85qt
Chain lubricant:		
Pro Honda chain lube	08209-0002	08209-0002

MODEL ID PHOTO



Z50AK2 MINI TRAIL 50

SPECIFICATIONS

SECTION/SUBJECT	Z50AK2
ENGINE	
Cylinder	Single cylinder
Stroke	4-Stroke
Cooling	Air cooled
Camshaft	SOHC
Valve: per cylinder	2-Valve
Displacement	49cc
Lubrication system	Wet Sump
Carburetor	Piston Valve; 11mm
Main jet	= 50
Sto: jet	= 38
TRANSMISSION	
Transmission type	Manual
Transmission speeds	3 Speed
Clutch	Automatic
Shift pattern	N-1-2-1
CHASSIS	
Fuel tank capacity (Std)	1.0gal
Air filter type	Foam
Foam filter oil - Pro Honda	08207-0001
Countershaft sprocket	12T
Rear wheel sprocket	35T
Drive chain	420-74L, Regular
Drive chain	420-76L, Regular
Front Brake	Internal expand shoe
Rear Brake	Internal expand shoe
Front tire	3.50-8-2PR
Tire pressure	14PSI
Rear tire	3.50-8-2PR
Tire pressure	14PSI
SERVICE/TUNING	
Valve clearance:	
Intake	0.05mm (0.002")
Exhaust	0.05mm (0.002")
Ignition type	Flywheel Magneto
Points gap	0.3-0.4mm (0.012-0.016")
Spark plug gap	0.6-0.7mm (0.024-0.28")
LUBRICATION	
Recommended fuel	86 + Octane
Engine oil - Pro Honda:	
GN4 10W40	08C31-A141M01
GN4 20W50	08C35-A251M01
Engine oil capacity:	
After draining	0.85qt
Chain lubricant:	
Pro Honda chain lube	08209-0002

BULK HOSE

BULK HOSE CROSS REFERENCE CHART

To convert a cut hose part number to the equivalent of roll hose simply match the two part numbers using the following chart, cutting the required length indicated by the cut hose part number.

FUEL HOSE		VACUUM HOSE	
CURRENT CATALOG LISTING	BULK HOSE PART NUMBER	CURRENT CATALOG LISTING	BULK HOSE PART NUMBER
95001-35	95001-35003-20M	95005-35	95005-35008
95001-35	95001-35003-40M	95005-35	95005-35008
95001-45	95001-45003-20M	95005-45	95005-45008-10M
95001-45	95001-45008-40M	95005-45	95005-45008-10M
95001-55	95001-55008-20M	95005-50	95005-50003-30M
95001-55	95001-55008-40M	95005-55	95005-55003-20M
95001-75	95001-75008-40M	95005-70	95005-70003-30M
		95005-75	95005-75003-10M
		95005-75	95005-75003-10M
		95005-80	95005-80008-10M
		95005-80	95005-80008-10M
		95005-80	95005-80008-10M
		95005-12	95005-12003-10M

ORDERING INFORMATION

FUEL HOSE

PART NUMBER	H/C	INSIDE DIAMETER	ROLL LENGTH
95001-35003-20M	2380533	3.5 mm	3M (9.9ft)
95001-35003-40M	2380541	3.5 mm	3M (9.9ft)
95001-45003-20M	2380558	4.5 mm	3M (9.9ft)
95001-45008-30M	2324986	4.5 mm	8M (26.4ft)
95001-55008-20M	2386134	5.3 mm	8M (26.4ft)
95001-55008-30M	2385896	5.3 mm	8M (26.4ft)
95001-75003-20M	2385094	7.5 mm	3M (9.9ft)
95001-75003-30M	2385904	7.5 mm	3M (9.9ft)

VACUUM HOSE

PART NUMBER	H/C	INSIDE DIAMETER	ROLL LENGTH
95005-35008-10M	2325058	3.5 mm	8M (26.4ft)
95005-45008-10M	2325082	4.5 mm	8M (26.4ft)
95005-50003-30M	2380608	5.0 mm	3M (9.9ft)
95005-55008-10M	2386886	5.5 mm	8M (26.4ft)
95005-65003-20M	2380624	6.5 mm	3M (9.9ft)
95005-75003-10M	2380640	7.3 mm	3M (9.9ft)
95005-80008-10M	2325108	8.0 mm	8M (26.4ft)
95005-12003-10M	2380657	12.0 mm	3M (9.9ft)
95005-14003-20M	2380665	14.0 mm	3M (9.9ft)

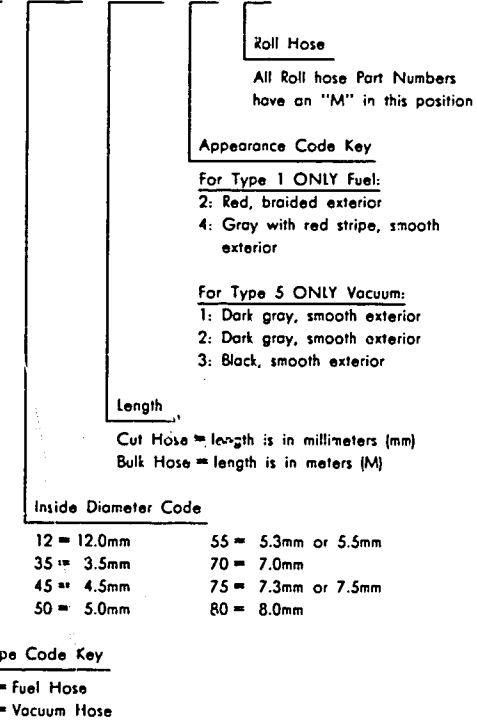
CAUTION: Damage to vacuum hose will result from contact with fuel. Do not use vacuum hose in place of fuel hose.

BULK HOSE

CONSTRUCTION OF FUEL AND VACUUM HOSE PART NUMBER

Part Number
(Example)

9 5 0 0 1 - 7 5 0 0 8 - 4 0 M



CAUTION: Damage to vacuum hose will result from contact with fuel. Do not use vacuum hose in place of fuel hose.

COMMONLY REQUIRED REPLACEMENT PARTS

Ref. No.		Z50A			SERIAL NUMBER		QTY	PART NUMBER	HONDA CODE
		A	K1	K2					
		FROM	TO	REQ					
A = Z50A K1 = Z50AK1 K2 = Z50AK2									
BATTERY ASSY. (6V 2AH)	---	K1	---	-----	-----	1	31500-045-671	0182188	
BULB, HEADLIGHT (6V15/15W)	---	K1	K2	-----	-----	1	34901-001-671	0085381	
BULB, HEADLIGHT (6V15/15W) (STANLEY)	---	K1	K2	-----	-----	1	34901-001-025	0918383	
CHAIN, DRIVE	---	K1	K2	-----	-----	1	405W3-165-505	3516457	
CHAIN, DRIVE	A	---	---	-----	-----	1	405W3-045-505	4133534	
CHAIN, DRIVE (74L)	A	---	---	-----	-----	(1)	405W3-045-505	4133534	
CHAIN, DRIVE (74L)	---	K1	K2	-----	-----	1	40530-045-671	0182077	
CHAIN, DRIVE (74L)	A	---	---	-----	-----	1	40530-045-670	0175554	
CHAIN, DRIVE (76L)	A	---	---	-----	-----	(1)	40530-045-811	0198820	
CHAIN, DRIVE (76L)	---	K1	K2	-----	-----	(1)	40530-045-820	0182139	
DISK, CLUTCH FRICTION	A	K1	K2	-----	-----	2	22201-040-000	0174656	
FUSE (7A)	---	K1	---	-----	-----	1	38201-001-000	0008714	
FUSE A (7A)	---	K1	---	-----	-----	1	98200-10700	0250662	
GASKET SET	A	K1	K2	-----	-----	1	16010-045-670	0309237	
GASKET, EX. PIPE	A	K1	K2	-----	-----	1	18291-001-306	4434502	
GASKET, EX. PIPE	A	K1	K2	-----	-----	1	18291-001-010	0006361	
GASKET, EX. PIPE	A	K1	K2	-----	-----	1	18291-HB2-900	3679768	
GRIP, L. HANDLE	---	K1	K2	-----	-----	1	53166-044-010	0127225	
GRIP, L. HANDLE (IVORY WHITE)	A	---	---	-----	-----	1	53166-063-000XL	0169094	
GRIP, R. HANDLE	---	K1	K2	-----	-----	1	95011-12100	2938181	
GRIP, R. HANDLE	---	K1	K2	-----	-----	1	53165-044-010	0127217	
GRIP, R. HANDLE (IVORY WHITE)	A	---	---	-----	-----	1	53165-063-000XL	0169086	
HANDLEBAR, L.	---	K1	---	120088	-----	1	95011-12100	2938181	
HANDLEBAR, L.	---	K1	---	120088	-----	1	53165-044-010	0127217	
HANDLEBAR, L.	A	K1	K2	-----	-----	1	53120-045-672	0182014	
HANDLEBAR, L.	A	---	---	-----	-----	1	53120-045-671	0175034	
HANDLEBAR, R.	A	K1	K2	-----	-----	1	53110-045-671	0175026	
HEADLIGHT UNIT	---	K1	K2	-----	-----	1	33120-063-670	0182253	
LENS, TAILLIGHT	---	K1	K2	-----	-----	1	33702-074-671	0182386	
LEVER, CLUTCH	A	K1	K2	-----	-----	1	22811-040-020	0174722	

COMMONLY REQUIRED REPLACEMENT PARTS

Ref. No.		Z50A			SERIAL NUMBER		QTY	PART NUMBER	HONDA CODE
		A	K1	K2					
		FROM	TO	REQ					
A = Z50A K1 = Z50AK1 K2 = Z50AK2									
PLUG, SPARK (C6HSA)	A	K1	K2	-----	-----	1	98056-56713	1436575	
PLUG, SPARK (C6HSA)	A	K1	K2	-----	-----	1	98056-56711	0176503	
PLUG, SPARK (U20FB)	A	K1	K2	-----	-----	1	98056-56723	1644178	
PLUG, SPARK (U20FS) (ND)	A	K1	K2	-----	-----	1	98056-56721	0280305	
POINTS (HITACHI)	A	K1	K2	-----	-----	1	30202-041-015	0175794	
RUBBER, KICK STARTER	A	K1	K2	-----	-----	1	28311-342-000	0325183	
RUBBER, KICK STARTER	A	K1	K2	-----	-----	1	28311-001-000	0004341	
RUBBER, SHIFT PEDAL	A	---	---	-----	-----	1	24781-268-000	0039594	
RUBBER, SHIFT PEDAL	A	---	---	-----	-----	1	24781-205-000	0026336	
RUBBER, SHIFT PEDAL	---	K1	K2	-----	382794	1	24781-205-000	0026336	
RUBBER, SHIFT PEDAL	---	K1	K2	-----	382794	1	24781-268-000	0039594	
SPROCKET, DRIVE (12T)	---	K1	K2	-----	-----	1	23800-045-671	0181941	
SPROCKET, DRIVE (12T)	A	---	---	106901	-----	1	23800-045-670	0180570	
SPROCKET, DRIVE (13T)	A	---	---	-----	106900	1	23800-045-000	0174870	
TIRE, FR.	A	K1	K2	-----	-----	1	44711-045-671	0175174	
TIRE, FR.	A	K1	K2	-----	-----	1	44711-045-671	0175174	

Z50A ENGINE NO.; Z50AE-100001 TO SUBSEQUENT
 Z50A FRAME NO.; Z50A-100001 TO 120087
 Z50AK1 ENGINE NO.; Z50AE-120088 TO SUBSEQUENT
 Z50AK1 FRAME NO.; Z50A-120088 TO 270235

Z50AK2 ENGINE NO.; Z50AE-270236 TO SUBSEQUENT
 Z50AK2 FRAME NO.; Z50A-270236 TO 387884

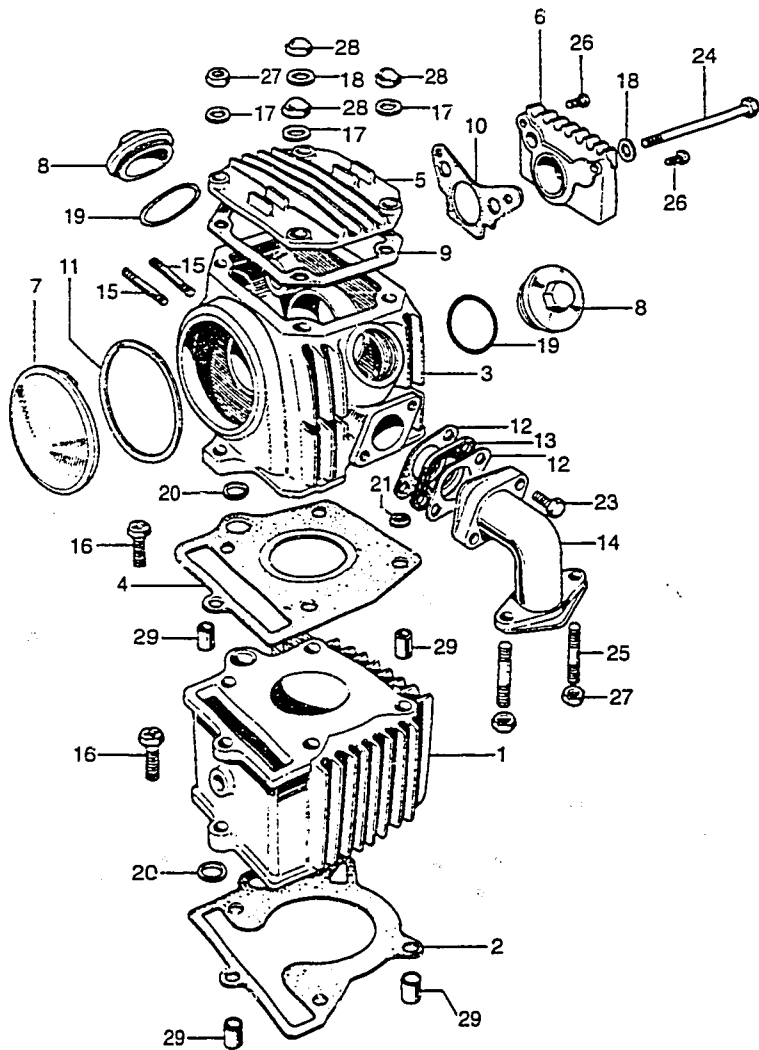
CONTENTS BY PAGE NO. SEQUENCE

PAGE TITLE	PAGE	GRID	PAGE TITLE	PAGE	GRID
CYLINDER • CYLINDER HEAD	2	B1			
CRANKSHAFT	6	B3			
CAMSHAFT • VALVE	10	B5			
CAM CHAIN TENSIONER	12	B6			
CRANKCASE	14	B7			
CLUTCH	16	B8			
OIL PUMP • CRANKCASE COVER	22	B11			
TRANSMISSION	26	C1			
GEARSHIFT SPINDLE	30	C3			
GEAR SHIFT DRUM	32	C4			
LEFT CRANKCASE COVER • ALTERNATOR	36	C6			
CARBURETOR SET	40	C8			
HANDLEBAR	44	D1			
FRONT FORK	50	D4			
FRONT CUSHION	54	D6			
FUEL TANK	56	D7			
SEAT • STEP BAR	62	D10			
FRAME • AIR CLEANER	66	D12			
MUFFLER	70	E2			
FRONT WHEEL	74	E4			
REAR WHEEL	80	E7			
Z50AK2-REAR BRAKE	88	E11			
HEADLIGHT • HEADLIGHT CASE	92	F1			
TAILLIGHT • REAR FENDER	96	F3			
WIRE HARNESS • BATTERY	100	F5			
KICK • CHANGE PEDAL	104	F7			

CONTENTS IN ALPHABETICAL ORDER

PAGE TITLE	PAGE	GRID	PAGE TITLE	PAGE	GRID
AIR CLEANER	66	D12			
ALTERNATOR	36	C6			
BATTERY	100	F5			
BRAKE, RR. Z50AK2	88	E11			
CAM CHAIN TENSIONER	12	B6			
CAMSHAFT	10	B5			
CARBURETOR SET	40	C8			
CHANGE PEDAL	104	F7			
CLUTCH	16	B8			
CRANKCASE	14	B7			
CRANKCASE COVER	22	B11			
CRANKCASE COVER, L	36	C6			
CRANKSHAFT	6	B3			
CUSHION, FR	54	D6			
CYLINDER	2	B1			
CYLINDER HEAD	2	B1			
FENDER, RR	96	F3			
FORK, FR	50	D4			
FRAME	66	D12			
FUEL TANK	56	D7			
GEAR SHIFT DRUM	32	C4			
GEARSHIFT SPINDLE	30	C3			
HANDLEBAR	44	D1			
HEADLIGHT	92	F1			
HEADLIGHT CASE	92	F1			
KICK	104	F7			
MUFFLER	70	E2			
OIL PUMP	22	B11			
SEAT	62	D10			
STEP BAR	62	D10			
TAILLIGHT	96	F3			
TRANSMISSION	26	C1			
VALVE	10	B5			
WHEEL, FR	74	E4			
WHEEL, RR	80	E7			
WIRE HARNESS	100	F5			

CYLINDER • CYLINDER HEAD



E14045201

A = Z50A
K1 = Z50AK1
K2 = Z50AK2

Ref. No.	BLOCK NO. DESCRIPTION	E-1	Z50A			ENGINE SERIAL NUMBER	QTY	PART NUMBER	HONDA CODE
			A	K1	K2				
1	CYLINDER COMP.		A	K1	K2	-----	1	12101-041-030	0176060
	CYLINDER COMP.		A	K1	K2	-----	1	12101-041-040	0722710
2	GASKET, CYLINDER		A	K1	K2	-----	1	12191-GB2-004	1092006
	GASKET, CYLINDER		A	K1	K2	-----	1	12191-GB2-306	4347951
	GASKET, CYLINDER		A	K1	K2	-----	1	12191-GW8-681	3853520
	GASKET, CYLINDER		A	K1	K2	-----	1	12191-035-020	0185025
	GASKET, CYLINDER		A	K1	K2	-----	1	12191-118-670	0247478
3	HEAD COMP., CYLINDER		A	K1	K2	-----	1	12200-041-020	0174086
	HEAD COMP., CYLINDER		A	K1	K2	-----	1	12200-041-030	0331983
	HEAD COMP., CYLINDER		A	K1	K2	-----	1	12200-041-040	0805184
	HEAD COMP., CYLINDER		A	K1	K2	-----	1	12200-041-305	1819069
4	GASKET, CYLINDER HEAD		A	K1	K2	-----	1	12251-036-010	0174094
	GASKET, CYLINDER HEAD		A	K1	K2	-----	1	12251-065-505	4315545
	GASKET, CYLINDER HEAD		A	K1	K2	-----	1	12251-065-740	0305334
	GASKET, CYLINDER HEAD		A	K1	K2	-----	1	12251-065-741	4012530
5	COVER, CYLINDER HEAD		A	K1	K2	-----	1	12301-035-000	0069591
6	COVER, R. CYLINDER HEAD SIDE		A	K1	K2	-----	1	12331-035-000	0069609
7	COVER, L. CYLINDER HEAD SIDE		A	K1	K2	-----	1	12341-035-000	0069617
8	CAP, TAPPET ADJUSTING HOLE		A	K1	K2	-----	2	12361-035-000	0069625
	CAP, TAPPET ADJUSTING HOLE		A	K1	K2	-----	2	12361-300-000	018887C
	CAP, TAPPET ADJUSTING HOLE		A	K1	K2	-----	2	12361-371-980	0454934
9	GASKET, CYLINDER HEAD COVER		A	K1	K2	-----	1	12391-035-000	0069666
10	GASKET, R. CYLINDER HEAD SIDE COVER		A	K1	K2	-----	1	12394-035-000	0069674
	GASKET, R. CYLINDER		A	K1	K2	-----	1	12394-035-010	4459624
	GASKET, R. CYLINDER HEAD COVER		A	K1	K2	-----	1	12394-035-306	4368288
11	GASKET, L. CYLINDER HEAD SIDE COVER		A	K1	K2	-----	1	12395-GW8-680	3853561
	GASKET, L. CYLINDER HEAD SIDE COVER		A	K1	K2	-----	1	12395-035-000	0069682
	GASKET, CYLINDER HEAD SIDE, L.		A	K1	K2	-----	1	12395-035-306	4314001
12	GASKET, INSULATOR		A	K1	K2	-----	2	16201-045-000	0174326
	GASKET, INSULATOR		A	K1	K2	-----	2	16201-045-306	4439329

CONTENTS

TITLE	PAGE	GRID
AIR CLEANER	66	D12
ALTERNATOR	36	C6
BATTERY	100	F5
BRAKE, RR. Z50AK2	88	E11
CAM CHAIN TENSIONER	12	B6
CAMSHAFT	10	B5
CARBURETOR SET	40	C8
CHANGE PEDAL	104	F7
CLUTCH	16	B8
CRANKCASE	14	B7
CRANKCASE COVER	22	B11
CRANKCASE COVER, L.	36	C6
CRANKSHAFT	6	B3
CUSHION, FR.	54	D6
CYLINDER	2	B1
CYLINDER HEAD	2	B1
FENDER, RR.	96	F3
FORK, FR.	50	D4
FRAME	66	D12
FUEL TANK	56	F7
GEAR SHIFT DRUM	32	C4
GEARSHIFT SPINDLE	30	C3
HANDLEBAR	44	D1
HEADLIGHT	92	F1
HEADLIGHT CASE	92	F1
KICK	104	F7
MUFFLER	70	E2
OIL PUMP	22	B11
SEAT	62	D10
STEP BAR	62	D10
TAILLIGHT	96	F3
TRANSMISSION	26	C1
VALVE	10	B5
WHEEL, FR.	74	E4
WHEEL, RR.	80	E7
WIRE HARNESS	100	F5

GRID

B1

2 © AMERICAN HONDA MOTOR CO., LTD. 1994

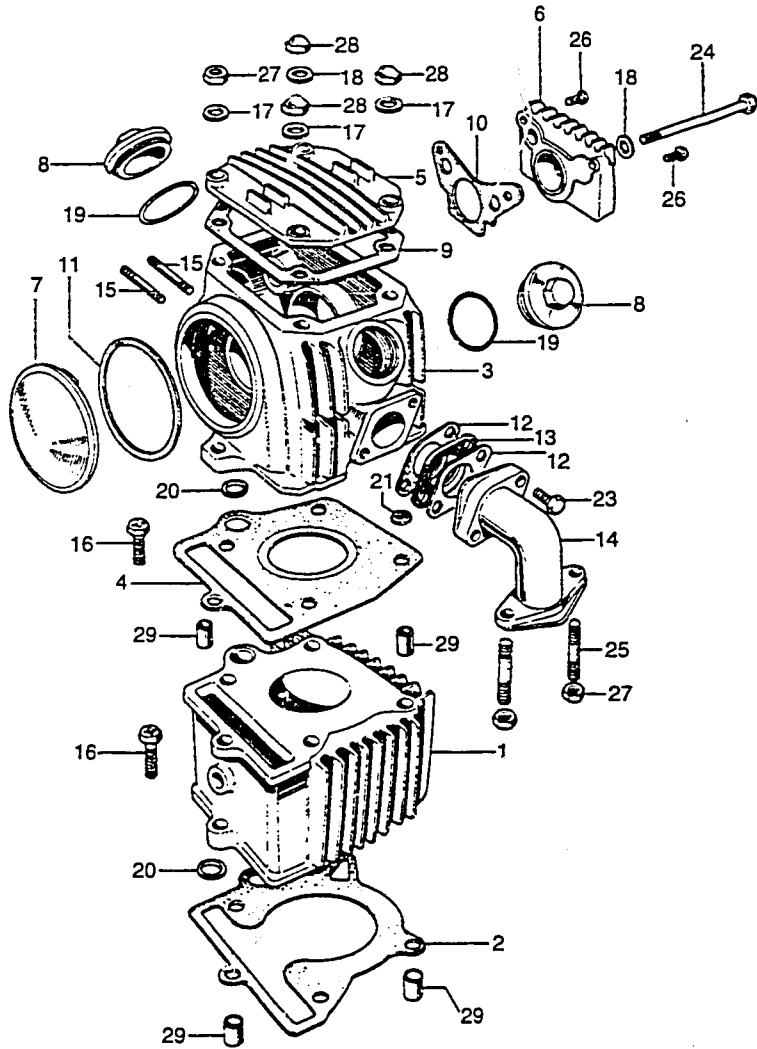
Z50A ENGINE NO.; Z50AE-100001 TO SUBSEQUENT
Z50A FRAME NO.; Z50A-100001 TO 120087
Z50AK1 ENGINE NO.; Z50AE-120088 TO SUBSEQUENT
Z50AK1 FRAME NO.; Z50A-120088 TO 270235

Z50AK2 ENGINE NO.; Z50AE-270236 TO SUBSEQUENT
Z50AK2 FRAME NO.; Z50A-270236 TO 387884

B1

© AMERICAN HONDA MOTOR CO., LTD. 1994 3

CYLINDER • CYLINDER HEAD



E14045201

A = Z50A
K1 = Z50AK1
K2 = Z50AK2

Ref. No.	BLOCK NO. DESCRIPTION	E-1	Z50A			ENGINE SERIAL NUMBER		QTY REQ	PART NUMBER	HONDA CODE
			A	K1	K2	FROM	TO			
			A	K1	K2					
13	INSULATOR, IN. PIPE		A	K1	K2			1	16211-045-010	0174334
14	PIPE, IN.		A	K1	K2			1	17111-045-040	0174367
15	BOLT, STUD, 6X32		A	K1	K2			2	90033-041-000	0174987
	BOLT, STUD, 6X32		A	K1	K2			2	90033-041-010	0807230
	BOLT, STUD, 6X32		A	K1	K2			2	90033-041-020	2254258
16	BOLT, HS, 6MM		A	K1	K2			2	90082-035-000	0070847
	BOLT, 6MM		A	K1	K2			2	90082-035-010	1063510
17	WASHER, SEALING, 6MM		A	K1	K2			3	90442-035-000	0070961
18	WASHER A, SEALING, 6MM		A	K1	K2			2	90443-035-000	0070987
19	O-RING, 30.8MM		A	K1	K2			2	91302-001-020	0001065
20	GASKET, RUBBER, 16MM		A	K1	K2			2	91303-035-000	0069716
21	GASKET, RUBBER, 7.5MM		A	K1	K2			1	91306-035-000	0118025
	GASKET, RUBBER, 9MM		A	K1	K2			1	91306-141-000	1093343
23	BOLT, HEX., 6X25		A	K1	F2			2	92000-06025	0054320
	BOLT, HEX., 6X25		A	K1	K2			2	92101-06025-0A	2206563
24	BOLT, HEX., 6X112		A	K1	K2			1	92000-06112	0197707
25	BOLT, STUD, 6X25		A	K1	K2			2	92712-06025-10	0176370
26	SCREW, PAN, 6X10		A	K1	K2			2	93500-06010	0057406
27	NUT, HEX., 6MM		A	K1	K2			3	90310-KA3-711	1553916
	NUT, HEX., 6MM		A	K1	K2			3	94000-06000-0S	1391283
	NUT, HEX., 6MM		A	K1	K2			3	94001-06000	0058016
	NUT, HEX., 6MM		A	K1	K2			3	94001-06000-0S	0156067
	NUT, HEX., 6MM		A	K1	K2			3	94001-06008-0S	2829414
	NUT, HEX., 6MM		A	K1	K2			3	94001-06200-0S	2043255
	NUT, HEX., 6MM		A	K1	K2			3	94030-06000	1642693
28	NUT, CAP, 6MM		A	K1	K2			3	94021-06000	0057885
	NUT, CAP, 6MM		A	K1	K2			3	94021-06000-0S	0203620
	NUT, CAP, 6MM		A	K1	K2			3	94021-06020	0057893
	NUT, CAP, 6MM		A	K1	K2			3	94021-06020-0S	0169516
	NUT, CAP, 6MM		A	K1	K2			3	94022-06020	0203109
29	PIN A, DOWEL, 8X14		A	K1	K2			4	94301-08140	0069310

CONTENTS

TITLE	PAGE	GRID
AIR CLEANER	66	D12
ALTERNATOR	36	C8
BATTERY	100	F5
BRAKE, RR, Z50AK2	88	E11
CAM CHAIN TENSIONER	12	B6
CAMSHAFT	10	B5
CARBURETOR SET	40	C8
CHANGE PEDAL	104	F7
CLUTCH	16	B8
CRANKCASE	14	B7
CRANKCASE COVER	22	B11
CRANKCASE COVER, L	36	C6
CRANKSHAFT	6	B3
CUSHION, FR.	54	D6
CYLINDER	2	B1
CYLINDER HEAD	2	B1
FENDER, FR.	96	F3
FORK, FR.	50	D4
FRAME	66	D12
FUEL TANK	56	D7
GEAR SHIFT DRUM	22	C4
GEARSHIFT SPINDLE	30	C3
HANDLEBAR	44	D1
HEADLIGHT	92	F1
HEADLIGHT CASE	92	F1
KICK	104	F7
MUFFLER	70	E2
Oil PUMP	22	B11
SEAT	62	D10
STEP BAR	62	D10
TAILLIGHT	96	F3
TRANSMISSION	26	C1
VALVE	10	B5
WHEEL, FR.	74	E4
WHEEL, RR	80	E7
WIRE HARNESS	100	F5

GRID **B2**

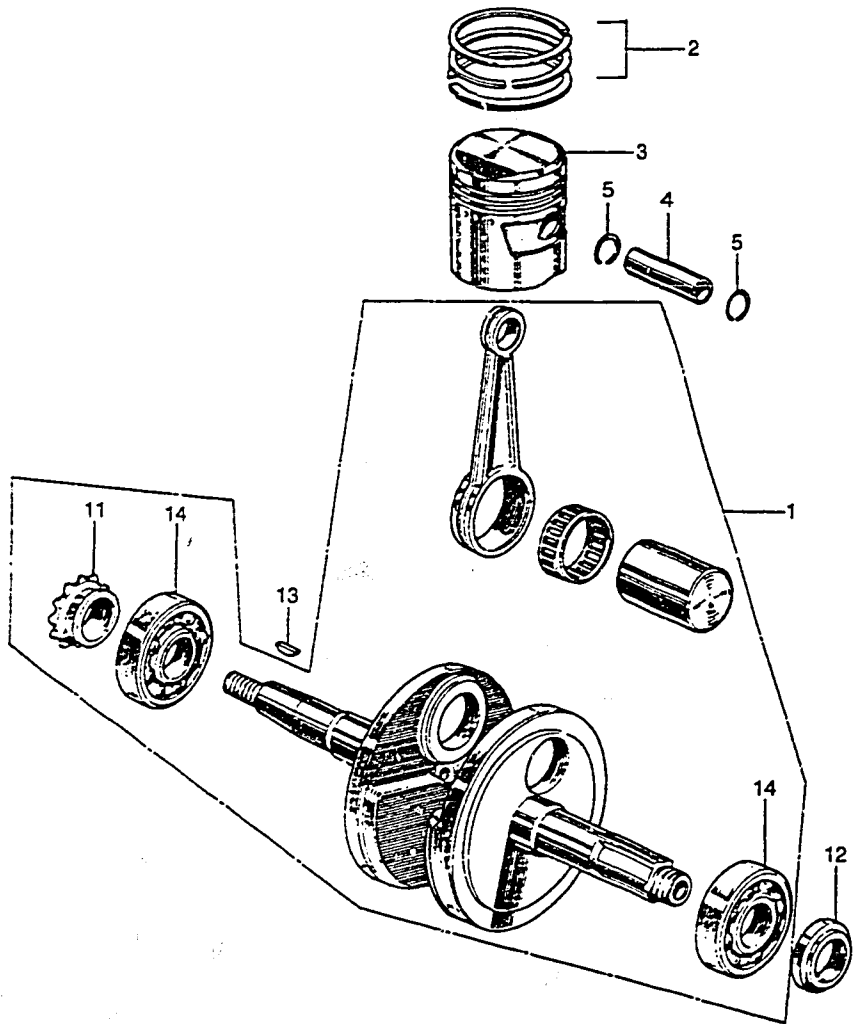
4 AMERICAN HONDA MOTOR CO., LTD. 1994
Z50A ENGINE NO.; Z50AE-100001 TO SUBSEQUENT
Z50A FRAME NO.; Z50A-100001 TO 120087
Z50AK1 ENGINE NO.; Z50AE-120088 TO SUBSEQUENT
Z50AK1 FRAME NO.; Z50A-120088 TO 270235

Z50AK2 ENGINE NO.; Z50AE-270236 TO SUBSEQUENT
Z50AK2 FRAME NO.; Z50A-270236 TO 387884

B2

5 AMERICAN HONDA MOTOR CO., LTD. 1994

CRANKSHAFT



E14045202

A = Z50A
K1 = Z50AK1
K2 = Z50AK2

Ref. No.	BLOCK NO. DESCRIPTION	E-2	Z50A			ENGINE SERIAL NUMBER		QTY	RE	PART NUMBER	HONDA CODE
			A	K1	K2	FROM	TO				
1	CRANKSHAFT COMP.		A	K1	K2			1		13000-041-030	0174102
	CRANKSHAFT COMP.		A	K1	K2			1		13000-098-000	0114702
2	RING SET, PISTON (STD)		A	K1	K2			1		13010-036-000	0174110
	RING SET, PISTON (STD)		A	K1	K2			1		13010-036-013	0871517
	RING SET, PISTON (STD) (RIKEN)		A	K1	K2			1		13010-036-014	1058072
	RING SET, PISTON (STD) (TEIKOKU)		A	K1	K2			1		13010-036-015	0805192
	RING SET, PISTON (0.25)		A	K1	K2			(1)		13020-036-000	0174128
	RING SET, PISTON (0.25)		A	K1	K2			(1)		13020-036-013	0871525
	RING SET, PISTON (0.25) (RIKEN)		A	K1	K2			(1)		13020-036-014	1058080
	RING SET, PISTON (0.25) (TEIKOKU)		A	K1	K2			(1)		13020-036-015	0853978
	RING SET, PISTON (0.50)		A	K1	K2			(1)		13030-036-000	0174136
	RING SET, PISTON (0.50)		A	K1	K2			(1)		13030-036-013	0871764
	RING SET, PISTON (0.50) (RIKEN)		A	K1	K2			(1)		13030-036-014	1058098
	RING SET, PISTON (0.50) (TEIKOKU)		A	K1	K2			(1)		13030-036-015	0853986
	RING SET, PISTON (0.75)		A	K1	K2			(1)		13040-036-000	0174144
	RING SET, PISTON (0.75)		A	K1	K2			(1)		13040-036-013	0871772
	RING SET, PISTON (0.75) (RIKEN)		A	K1	K2			(1)		13040-036-014	1058106
	RING SET, PISTON (0.75) (TEIKOKU)		A	K1	K2			(1)		13040-036-015	0853994
	RING SET, PISTON (1.00)		A	K1	K2			(1)		13050-036-000	0174151
	RING SET, PISTON (1.00) (RIKEN)		A	K1	K2			(1)		13050-036-014	1058114
	RING SET, PISTON (1.00) (TEIKOKU)		A	K1	K2			(1)		13050-036-015	0854000
3	PISTON (STD)		A	K1	K2			1		13101-036-010	0174169
	PISTON (0.25)		A	K1	K2			(1)		13102-036-010	0174177
	PISTON (0.50)		A	K1	K2			(1)		13103-036-010	0174185
	PISTON (0.75)		A	K1	K2			(1)		13104-036-010	0174193
	PISTON (1.00)		A	K1	K2			(1)		13105-036-010	0174201
4	PIN, PISTON		A	K1	K2			1		13111-6B2-000	2576585
	PIN, PISTON		A	K1	K2			1		13111-036-000	0174219
5	CLIP, PISTON PIN		A	K1	K2			2		13115-001-000	0001479
	CLIP, PISTON PIN, 13MM		A	K1	K2			2		94601-13000	0207563
7	BEARING, CONNECTING ROD		A	K1	K2			1		13211-035-000	1506492
9	CRANKSHAFT, L.		A	K1	K2			1		13321-041-020	1520303

CONTENTS

TITLE	PAGE	GRID
AIR CLEANER	66	D12
ALTERNATOR	36	C6
BATTERY	100	F5
BRAKE, FR, Z50AK2	85	E11
CAM CHAIN TENSIONER	12	B6
CAMSHAFT	10	B5
CARBURETOR SET	40	C8
CHANGE PEDAL	104	F7
CLUTCH	16	B8
CRANKCASE	14	B7
CRANKCASE COVER	22	B11
CRANKCASE COVER, L.	36	C6
CRANKSHAFT	6	B3
CUSHION, FR.	54	D6
CYLINDER	2	B1
CYLINDER HEAD	2	B1
FENDER, RR.	96	F3
FORK, FR.	50	D4
FRAME	66	D12
FUEL TANK	56	D7
GEAR SHIFT DRUM	32	C4
GEARSHIFT SPINDLE	30	C3
HANDLEBAR	44	D1
HEADLIGHT	92	F1
HEADLIGHT CASE	92	F1
KICK	104	F7
MUFFLER	70	E2
OIL PUMP	62	B11
SEAT	62	D10
STEP BAR	62	D10
TAILLIGHT	96	F3
TRANSMISSION	26	C1
VALVE	10	B5
WHEEL, FR.	74	E4
WHEEL, RR.	80	E7
WIRE HARNESS	100	F5

GRID

B3

6 © AMERICAN HONDA MOTOR CO. LTD. 1994

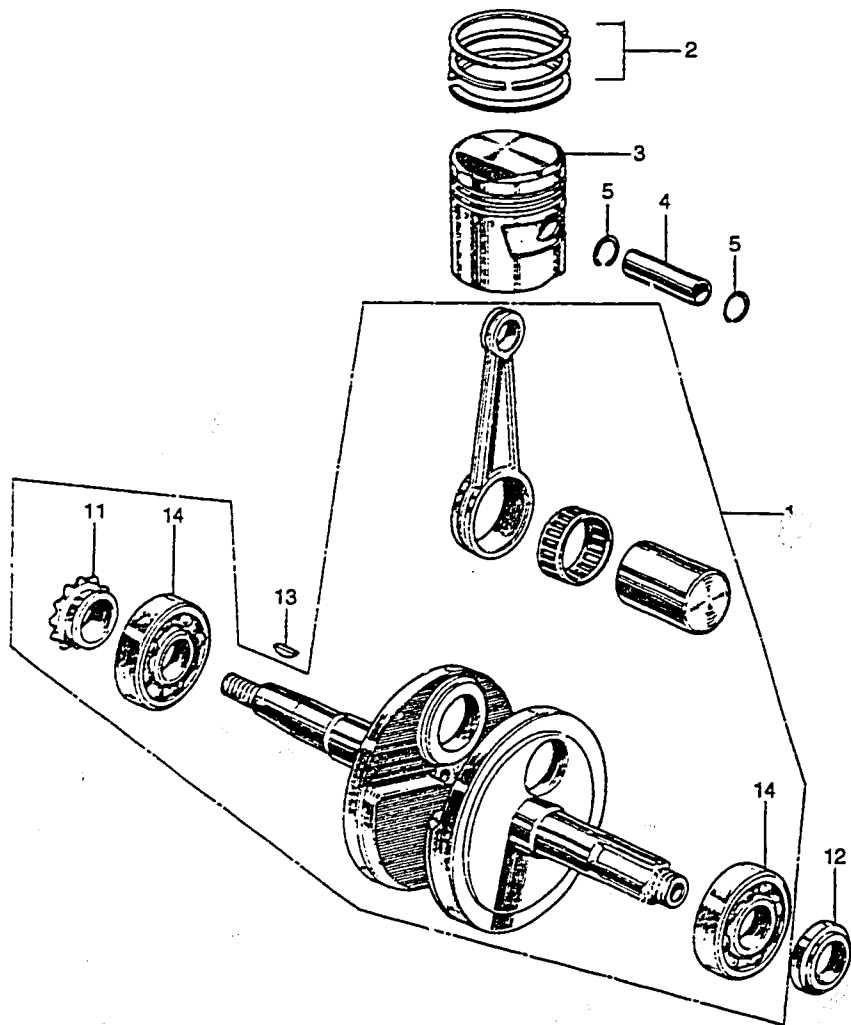
B3

© AMERICAN HONDA MOTOR CO. LTD. 1994 7

Z50A ENGINE NO.: Z50AE-100001 TO SUBSEQUENT
Z50A FRAME NO.: Z50A-100001 TO 120087
Z50AK1 ENGINE NO.: Z50AE-120088 TO SUBSEQUENT
Z50AK1 FRAME NO.: Z50A-120088 TO 270235

Z50AK2 ENGINE NO.: Z50AE-270236 TO SUBSEQUENT
Z50AK2 FRAME NO.: Z50A-270236 TO 387884

CRANKSHAFT



E14045202

A = Z50A
K1 = Z50AK1
K2 = Z50AK2

Ref. No.	BLOCK NO. DESCRIPTION	E-2	Z50A			ENGINE SERIAL NUMBER FROM TO	QTY REQ	PART NUMBER	HONDA CODE
			A	K1	K2				
10	PIN, CRANK		A	K1	K2	-----	1	13381-C35-010	1506567
	PIN, CRANK		A	K1	K2	-----	1	13381-035-405	4066957
11	SPROCKET, TIMING (14T)		A	K1	K2	-----	1	14311-035-000	0069765
12	COLLAR, 17MM		A	K1	K2	-----	1	22911-GB4-680	1815059
	COLLAR, 17MM		A	K1	K2	-----	1	22911-035-010	0070482
13	KEY, WOODRUFF, 3X5		A	K1	K2	-----	1	90741-035-000	0070896
14	BEARING, RADIAL BALL, 6304		A	K1	K2	-----	2	91001-035-000	0073338
	BEARING, RADIAL BALL, 6304		A	K1	K2	-----	2	96100-63040	0053363
	BEARING, RADIAL BALL, 6304		A	K1	K2	-----	2	96160-63040-00	0341644

B4

CONTENTS

TITLE	PAGE	GRID
AIR CLEANER	66	D12
ALTERNATOR	36	C6
BATTERY	100	F5
BRAKE, RR, Z50AK2	88	E11
CAM CHAIN TENSIONER	12	BC
CAMSHAFT	10	B5
CARBURETOR SET	40	C8
CHANGE PEDAL	104	F7
CLUTCH	16	B8
CRANKCASE	14	B7
CRANKCASE COVER	22	B11
CRANKCASE COVER, L	36	C6
CRANKSHAFT	6	B3
CUSHION, FR.	54	D6
CYLINDER	2	B1
CYLINDER HEAD	2	B1
FENDER, RR	96	F3
FORK, FR.	50	D4
FRAME	66	D12
FUEL TANK	56	D7
GEAR SHIFT DRUM	32	C4
GEARSHIFT SPINDLE	30	C3
HANDLEBAR	44	D1
HEADLIGHT	92	F1
HEADLIGHT CASE	92	F1
KICK	104	F7
MUFFLER	70	E2
OIL PUMP	22	B11
SEAT	62	D10
STEP BAR	62	D10
TAILLIGHT	96	F3
TRANSMISSION	26	C1
VALVE	10	B5
WHEEL, FR.	74	E4
WHEEL, RR	80	E7
WIRE HARNESS	100	F5

GRID

B4

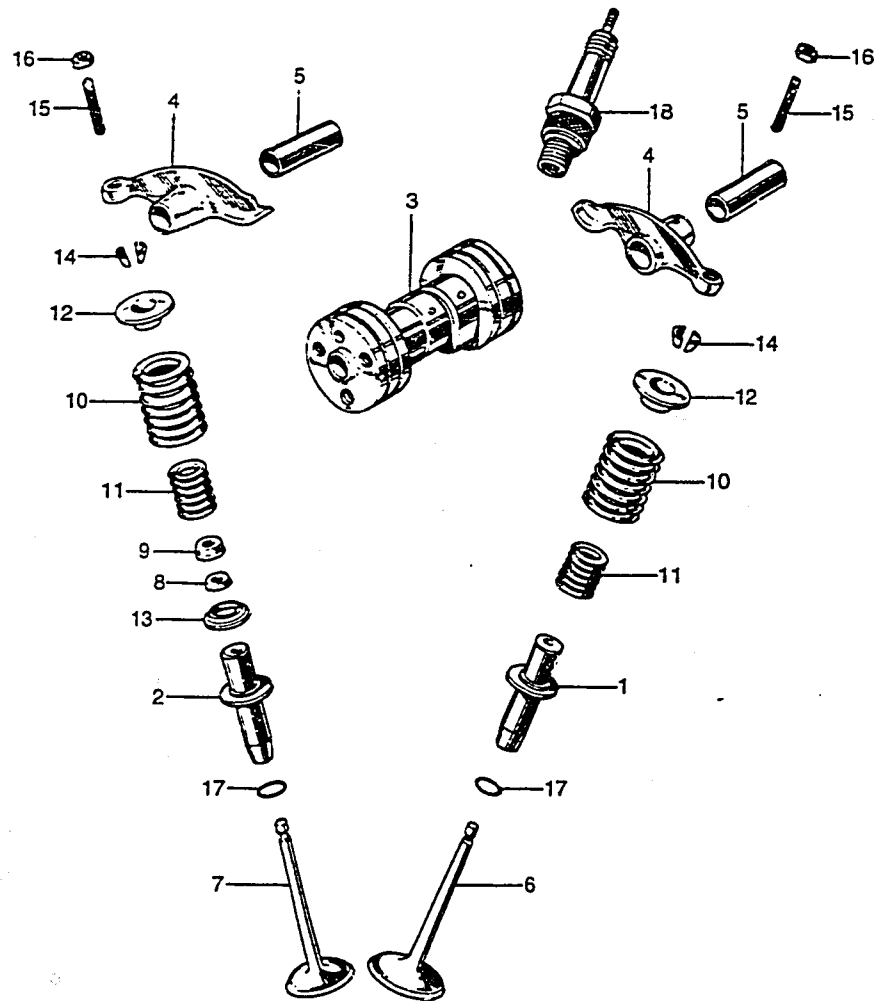
AMERICAN HONDA MOTOR CO., LTD. 1994

Z50A ENGINE NO.; Z50AE-100001 TO SUBSEQUENT
Z50A FRAME NO.; Z50A-100001 TO 120087
Z50AK1 ENGINE NO.; Z50AE-120088 TO SUBSEQUENT
Z50AK1 FRAME NO.; Z50A-120088 TO 270235

Z50AK2 ENGINE NO.; Z50AE-270236 TO SUBSEQUENT
Z50AK2 FRAME NO.; Z50A-270236 TO 387884

AMERICAN HONDA MOTOR CO., LTD. 1994

CAMSHAFT • VALVE



E14045203

A = Z50A
K1 = Z50AK1
K2 = Z50AK2

Ref. No.	BLOCK NO. DESCRIPTION	E-3	Z50A			ENGINE SERIAL NUMBER	CITY REQ	PART NUMBER	HONDA CODE
			A	K1	K2				
			FROM	TO					
1	GUIDE, IN. VALVE		A	K1	K2		1	12021-035-811	0117994
	GUIDE, IN. VALVE		A	K1	K2		1	12023-035-405	4149563
2	GUIDE, EX. VALVE		A	K1	K2		1	12023-051-310	0118000
	GUIDE, EX. VALVE		A	K1	K2		1	12023-051-320	0335299
3	CAMSHAFT		A			108295	1	14101-041-010	0174227
	CAMSHAFT		A			108295	1	14101-041-020	0181487
	CAMSHAFT		A	K1	K2		1	14101-041-020	0181487
	CAMSHAFT		A			108295	1	14101-041-030	0919670
	CAMSHAFT		A	K1	K2		1	14101-041-030	0919570
4	ARM, VALVE ROCKER		A	K1	K2		2	14431-035-000	0069898
	ARM, VALVE ROCKER		A	K1	K2		2	14431-035-010	0951236
	ARM, VALVE ROCKER		A	K1	K2		2	14431-035-020	2928745
5	SHAFT, VALVE ROCKER ARM		A	K1	K2		2	14451-035-000	0069906
6	VALVE, IN.		A	K1	K2		1	14711-036-000	0174284
7	VALVE, EX.		A	K1	K2		1	14721-036-000	0174292
	VALVE, EX.		A	K1	K2		1	14721-036-010	0378406
8	SEAL, VALVE STEM		A	K1	K2		1	14730-028-013	0241091
9	CAP, VALVE STEM SEAL		A	K1	K2		1	14731-028-000	0115998
10	SPRING, VALVE OUTER		A	K1	K2		2	14751-035-600	0083030
11	SPRING, VALVE INNER		A	K1	K2		2	14761-035-000	0069948
12	RETAINER, VALVE SPRING		A	K1	K2		2	14771-035-600	0083048
13	SEAT, VALVE SPRING INNER		A	K1	K2		1	14776-028-000	0115972
14	COTTER, VALVE		A	K1	K2		4	14781-001-010	0001891
15	SCREW, TAPPET ADJUSTING		A	K1	K2		2	90012-200-000	0023978
	SCREW, TAPPET ADJUSTING		A	K1	K2		2	90012-333-000	0294819
16	NUT, TAPPET ADJUSTING		A	K1	K2		2	90206-001-000	0004598
17	O-RING, 9.5X1.6		A	K1	K2		2	91306-028-000	0118208
18	PLUG, SPARK (C6HSA)		A	K1	K2		1	98056-56711	0176503
	PLUG, SPARK (C6HSA)		A	K1	K2		1	98056-56713	1431575
	PLUG, SPARK (U20FS) (ND)		A	K1	K2		1	98056-56721	0280305
	PLUG, SPARK (U20FB)		A	K1	K2		1	98056-56723	1644178

© AMERICAN HONDA MOTOR CO. LTD. 1994 11

CONTENTS

TITLE	PAGE	GRID
AIR CLEANER	66	D12
ALTERNATOR	36	C6
BATTERY	100	F5
BRAKE, RR. Z50AK2	88	E11
CAM CHAIN TENSIONER	12	B6
CAMSHAFT	10	B5
CARBURETOR SET	40	C8
CHANGE PEDAL	104	F7
CLUTCH	16	B8
CRANKCASE	14	B7
CRANKCASE COVER	22	B11
CRANKCASE COVER, L.	36	C6
CRANKSHAFT	6	B3
CUSHION, FR.	54	D6
CYLINDER	2	B1
CYLINDER HEAD	2	B1
FENDER, RR.	96	F3
FORK, FR.	50	D4
FRAME	66	D12
FUEL TANK	56	D7
GEAR SHIFT DRUM	32	C4
GEARSHIFT SPINDLE	30	C3
HANDLEBAR	44	D1
HEADLIGHT	92	F1
HEADLIGHT CASE	92	F1
KICK	104	F7
MUFFLER	72	E2
OIL PUMP	22	B11
SEAT	62	D10
STEP BAR	62	D10
TAILLIGHT	96	F3
TRANSMISSION	26	C1
VALVE	10	B5
WHEEL, FR.	74	E4
WHEEL, RR.	80	E7
WIRE HARNESS	100	F5

GRID

B5

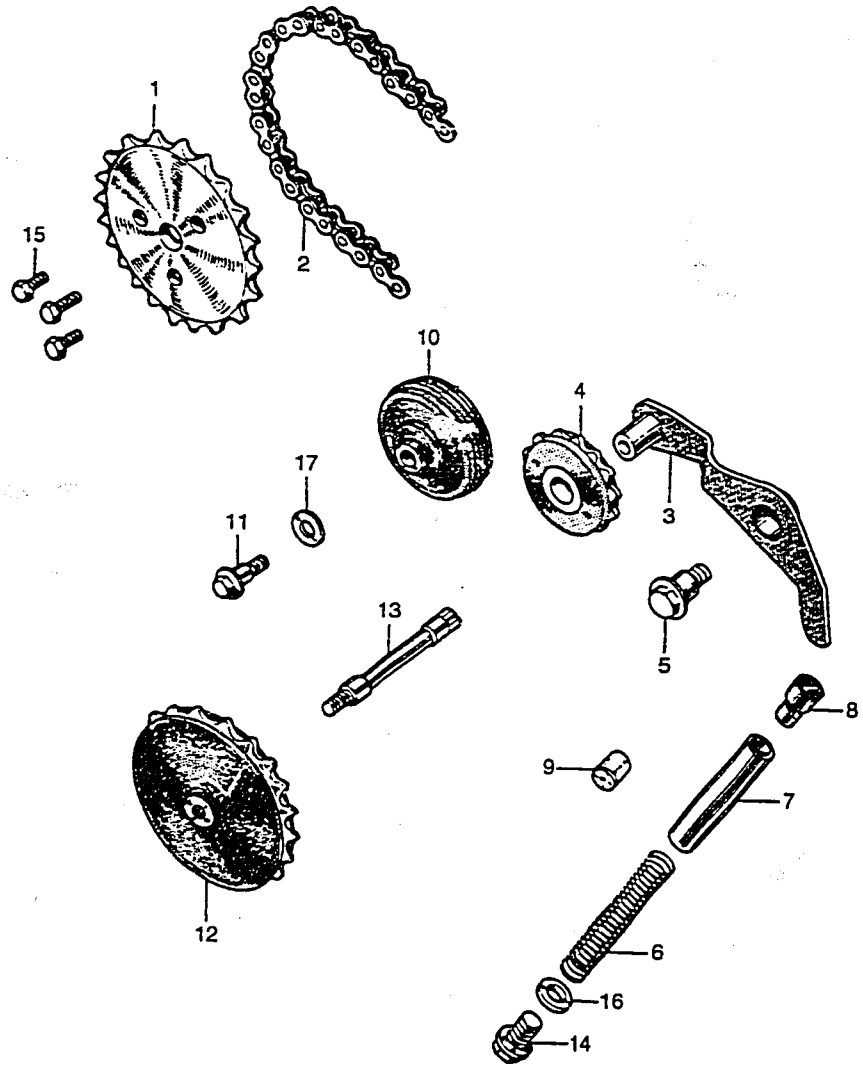
10 © AMERICAN HONDA MOTOR CO. LTD. 1994

BS

Z50A ENGINE NO.; Z50AE-100001 TO SUBSEQUENT
Z50A FRAME NO.; Z50A-100001 TO 120087
Z50AK1 ENGINE NO.; Z50AE-120088 TO SUBSEQUENT
Z50AK1 FRAME NO.; Z50A-120088 TO 270235

Z50AK2 ENGINE NO.; Z50AE-270236 TO SUBSEQUENT
Z50AK2 FRAME NO.; Z50A-270236 TO 387884

CAM CHAIN TENSIONER



E14045204

A = Z50A
K1 = Z50AK1
K2 = Z50AK2

Ref. No.	BLOCK NO. DESCRIPTION	Z50A			ENGINE SERIAL NUMBER		QTY REQ	PART NUMBER	HONDA CODE
		A	K1	K2	FROM	TO			
		A	K1	K2					
1	SPROCKET, CAM (28T)	A	K1	K2			1	14321-035-010	0142083
2	CHAIN, CAM (82L)	A	K1	K2			1	14401-035-000	0069799
	CHAIN, CAM (82L) (DAIDG)	A	K1	K2			1	14401-035-003	0497024
	CHAIN, CAM (82L) (TAKASAGO)	A	K1	K2			1	14401-035-005	0276949
3	ARM, TENSIONER	A	K1	K2			1	14500-035-010	0174235
	ARM COMP., CAM CHAIN TENSIONER	A	K1	K2			1	14500-035-020	0853929
4	ROLLER, CAM CHAIN TENSIONER	A	K1	K2			1	14502-035-010	0229013
	ROLLER, CAM CHAIN TENSIONER	A	K1	K2			1	14502-086-000	0270678
5	PIVOT, CAM CHAIN TENSIONER	A	K1	K2			1	14531-035-000	0069856
6	SPRING, CAM CHAIN TENSIONER	A	K1	K2			1	14541-035-010	0174250
7	ROD, CAM CHAIN TENSIONER PUSH	A	K1	K2			1	14551-035-020	0174268
8	RUBBER, CAM CHAIN TENSIONER PUSH ROD HEAD	A	K1	K2			1	14566-035-000	0069864
9	VALVE, CHECK	A	K1	K2			1	14591-028-000	0120055
10	ROLLER, CAM CHAIN GUIDE	A	K1	K2			1	14610-035-010	0069807
	ROLLER, CAM CHAIN GUIDE	A	K1	K2			1	14610-086-000	0270884
	ROLLER COMP., CAM CHAIN GUIDE	A	K1	K2			1	14610-086-003	1456805
	ROLLER COMP., CAM CHAIN GUIDE	A	K1	K2			1	14610-086-013	4129870
11	PIN, CAM CHAIN GUIDE ROLLER	A	K1	K2			1	14615-035-000	0069815
	PIN, CAM CHAIN GUIDE ROLLER	A	K1	K2			1	14615-035-010	4067385
12	SPROCKET, CAM CHAIN GUIDE (25T)	A	K1	K2			1	14670-035-030	0116723
13	SPINDLE, CAM CHAIN GUIDE SPROCKET	A	K1	K2			1	14675-035-060	0174276
14	BOLT, SEALING, 14MM	A	K1	K2			1	90081-035-000	0070839
15	BOLT, KNOCK, 5MM	A				108295	3	90083-035-000	0070870
	BOLT, KNOCK, 5MM	A				108296	3	90083-035-010	0181495
			K1	K2			3	90083-035-010	0181495
16	WASHER, SEALING, 14MM	A	K1	K2			1	90441-035-000	0070953
17	WASHER, 8MM	A	K1	K2			1	90481-035-000	0070938

B6

CONTENTS

TITLE	PAGE	GRID
AIR CLEANER	66	D12
ALTERNATOR	36	C6
BATTERY	100	F5
BRAKE, FR. Z50AK2	88	E11
CAM CHAIN TENSIONER	12	B6
CAMSHAFT	10	B5
CARBURETOR SET	40	C8
CHANGE PEDAL	104	F7
CLUTCH	16	B8
CRANKCASE	14	B7
CRANKCASE COVER	22	B11
CRANKCASE COVER, L	36	C6
CRANKSHAFT	6	B3
CUSHION, FR.	54	D6
CYLINDER	2	B1
CYLINDER HEAD	2	B1
FENDER, FR.	96	F3
FORK, FR.	50	D4
FRAME	66	D12
FUEL TANK	56	D7
GEAR, SH. DRUM	32	C4
GEAR, 1ST SPINDLE	30	C3
HANDLEBAR	44	D1
HEADLIGHT	92	F1
HEADLIGHT CASE	92	F1
KICK	104	F7
MUFFLER	70	E2
OIL PUMP	22	B11
SEAT	62	D10
STEP BAR	62	D10
TAILLIGHT	96	F3
TRANSMISSION	26	C1
VALVE	10	B5
WHEEL, FR.	74	E4
WHEEL, RR.	80	E7
WIRE HARNESS	100	F5

GRID

B6

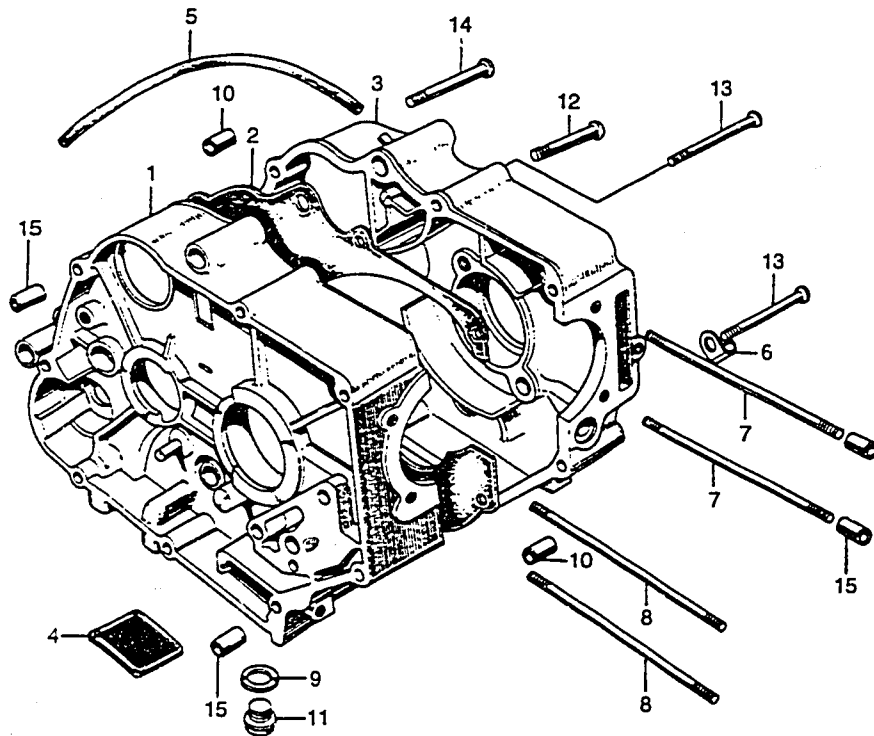
© AMERICAN HONDA MOTOR CO. LTD. 1984 13

12 © AMERICAN HONDA MOTOR CO. LTD. 1984

Z50A ENGINE NO.; Z50AE-100001 TO SUBSEQUENT
Z50A FRAME NO.; Z50A-100001 TO 120087
Z50AK1 ENGINE NO.; Z50AE-120088 TO SUBSEQUENT
Z50AK1 FRAME NO.; Z50A-120088 TO 270235

Z50AK2 ENGINE NO.; Z50AE-270236 TO SUBSEQUENT
Z50AK2 FRAME NO.; Z50A-270236 TO 387884

CRANKCASE



E14045205

Ref. No.	BLOCK NO. DESCRIPTION	E-5	Z50A			ENGINE SERIAL NUMBER	QTY REQ	PART NUMBER	HONDA CODE
			A	K1	K2				
			FROM	TO					
1	CRANKCASE COMP., R.	A	---	---	---	1	11100-045-000	0174003	
	CRANKCASE COMP., R.	A	K1	K2	---	1	11100-045-010	0201368	
2	GASKET, CRANKCASE	A	K1	K2	---	1	11191-035-050	0185637	
	GASKET, CRANKCASE	A	K1	K2	---	1	11191-035-060	0958561	
	GASKET, CRANKCASE	A	K1	K2	---	1	11191-035-070	4453965	
	GASKET, CRANKCASE	A	K1	K2	---	1	11191-035-307	4342861	
3	CRANKCASE COMP., L.	A	K1	K2	---	1	11200-045-050	0201384	
4	SCREEN, OIL FILTER	A	K1	K2	---	1	15421-035-010	0070029	
5	TUBE, FUEL,	A	---	---	---	1	15761-045-000	0174318	
	TUBE, FUEL, 5X450	A	K1	K2	---	1	95001-50000	0200998	
	TUBE, FUEL, 5X320	A	K1	K2	---	1	95001-50000-90	0358895	
	TUBE, FUEL, 5.5X350 (BULK HOSE: 95001-55008-40M)	A	K1	K2	---	1	95001-55000-40	0252650	
6	CLAMP, OVERFLOW TUBE	A	K1	---	255950	1	16236-045-000	0174342	
	CLAMP, OVERFLOW PIPE	---	K1	K2	---	1	16236-045-010	0253278	
		---	K1	---	255951	1	16236-045-010	0253278	
7	BOLT A, CYLINDER STUD	A	K1	K2	---	2	90031-035-010	0082875	
8	BOLT B, CYLINDER STUD	A	K1	K2	---	2	90032-035-000	0070862	
9	GASKET, DRAIN VALVE	A	K1	K2	---	1	90407-231-000	0218347	
	GASKET, DRAIN VALVE, 12.5X20	A	K1	K2	---	1	90407-259-000	0035295	
	WASHER, DRAIN PLUG, 12MM	A	K1	K2	---	1	94109-12000	0171868	
10	PIN, KNOCK, 10X14A	A	K1	K2	---	2	90704-035-000	0130344	
11	BOLT, DRAIN PLUG, 12MM	A	K1	K2	---	1	92800-12000	0053975	
12	SCREW, PAN, 6X48	A	K1	K2	---	1	93500-06048	0057646	
13	SCREW, PAN, 6X60	A	K1	K2	---	3	93500-06060	0057687	
	SCREW, PAN, 6X60	A	K1	K2	---	3	93500-06060-0A	1445394	
14	SCREW, PAN, 6X65	A	K1	K2	---	4	93500-06065	0057695	
15	PIN A, DOWEL, 8X12	A	K1	K2	---	4	94301-08120	0069328	

© AMERICAN HONDA MOTOR CO. LTD. 1984 15

CONTENTS

TITLE	PAGE	GRID
AIR CLEANER	66	D12
ALTERNATOR	36	C9
BATTERY	100	F5
BRAKE, RR Z50AK2	88	E11
CAM CHAIN TENSIONER	12	B6
CAMSHAFT	10	B5
CARBURETOR SET	40	C8
CHANGE PEDAL	104	F7
CLUTCH	16	B8
CRANKCASE	14	B7
CRANKCASE COVER	22	B11
CRANKCASE COVER, L	36	C6
CRANKSHAFT	6	B3
CUSHION, FR	54	D6
CYLINDER	2	B1
CYLINDER HEAD	2	B1
FENDER, RH	96	F3
FORK, FR	50	D4
FRAME	66	D12
FUEL TANK	56	D7
GEAR SHIFT DRUM	32	C4
GEARSHIFT, SPINDLE	30	C3
HANDLEBAR	44	D1
HEADLIGHT	92	F1
HEADLIGHT CASE	92	F1
KICK	104	F7
MUFFLER	70	E2
OIL PUMP	22	B11
SEAT	62	D10
STEP BAR	62	D10
TAILLIGHT	96	F3
TRANSMISSION	26	C1
VALVE	10	B5
WHEEL, FR	74	E4
WHEEL, RR	80	E7
WIRE HARNESS	100	F5

GRID

B7

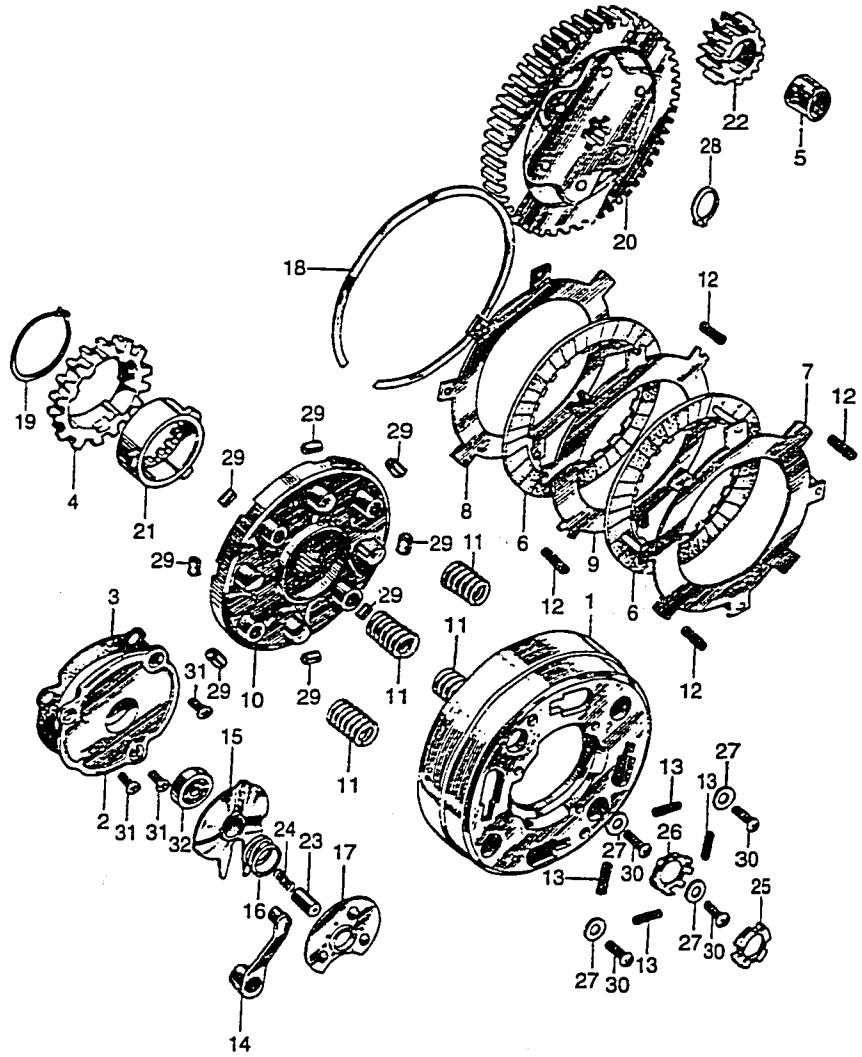
14 © AMERICAN HONDA MOTOR CO. LTD. 1984

B7

Z50A ENGINE NO.; Z50AE-100001 TO SUBSEQUENT
 Z50A FRAME NO.; Z50A-100001 TO 120087
 Z50AK1 ENGINE NO.; Z50AE-120088 TO SUBSEQUENT
 Z50AK1 FRAME NO.; Z50A-120088 TO 270235

Z50AK2 ENGINE NO.; Z50AE-270236 TO SUBSEQUENT
 Z50AK2 FRAME NO.; Z50A-270236 TO 387884

CLUTCH



E14045206

A = Z50A
K1 = Z50AK1
K2 = Z50AK2

Ref. No.	BLOCK NO. DESCRIPTION	E-6	Z50A			ENGINE SERIAL NUMBER	QTY REQ	PART NUMBER	HONDA CODE
			A	K1	K2				
			FROM	TO					
1	OUTER, CLUTCH	A	---	---	108295	1	22101-040-010	0174615	
	OUTER, CLUTCH	A	K1	K2	---	1	22101-340-030	0181503	
2	COVER, CLUTCH OUTER	A	K1	K2	---	1	22111-040-000	0174623	
3	GASKET, CLUTCH OUTER COVER	A	K1	K2	---	1	22119-040-000	0174631	
	GASKET, CLUTCH OUTER COVER	A	K1	K2	---	1	22119-040-010	4368312	
4	CENTER, CLUTCH (17T)	A	---	---	103192	1	22120-040-010	0174649	
	CENTER, CLUTCH (17T)	A	K1	---	103193	1	22120-040-020	0201731	
	CENTER, CLUTCH (17T)	---	K1	---	217926	1	22120-040-030	0203869	
		---	---	K2	---	1	22120-040-030	0203869	
5	GUIDE, CLUTCH CENTER	A	K1	K2	---	1	22131-035-020	0123752	
	GUIDE, CLUTCH CENTER	A	K1	K2	---	1	22131-035-030	0813840	
6	DISK, CLUTCH FRICTION	A	K1	K2	---	2	22201-040-000	0174656	
7	PLATE A, CLUTCH	A	K1	K2	---	1	22310-680-910	1076702	
	PLATE A, CLUTCH	A	K1	K2	---	1	22310-041-010	0172957	
8	PLATE B, CLUTCH	A	K1	K2	---	1	22321-041-000	0174664	
	PLATE B, CLUTCH	A	K1	K2	---	1	22321-046-020	1442110	
9	PLATE C, CLUTCH	A	K1	K2	---	1	22331-041-000	0174672	
10	PLATE, DRIVE	A	---	---	108295	1	22351-040-060	0174680	
	PLATE, DRIVE	A	---	---	108295	1	22351-040-070	0181511	
		A	K1	---	108296	1	22351-040-070	0181511	
	PLATE, DRIVE	---	K1	---	217926	1	22351-040-080	0203877	
		---	---	K2	---	1	22351-040-080	0203877	
11	SPRING, CLUTCH	A	K1	K2	---	4	22401-040-010	0174698	
12	SPRING, CLUTCH FREE	A	K1	K2	---	4	22411-041-000	0174706	
13	SPRING, CLUTCH DAMPER	A	K1	K2	---	4	22421-040-000	0174714	
14	LEVER, CLUTCH	A	K1	K2	---	1	22811-040-020	0174722	
15	PLATE COMP., CLUTCH CAM	A	K1	K2	---	1	22820-046-000	0087825	
	PLATE, CLUTCH CAM	A	K1	K2	---	1	22820-046-010	1355791	
16	SPRING, CAM PLATE SIDE	A	K1	K2	---	1	22825-046-000	0087833	
17	RETAINER, CLUTCH BALL	A	K1	K2	---	1	22860-041-000	0141531	
	RETAINER, CLUTCH BALL	A	K1	K2	---	1	22860-046-000	0087866	
18	SET RING, 101.5MM	A	K1	K2	---	1	22901-001-000	0003343	
19	SET RING, 45MM	A	---	---	103192	1	22901-040-000	0174573	

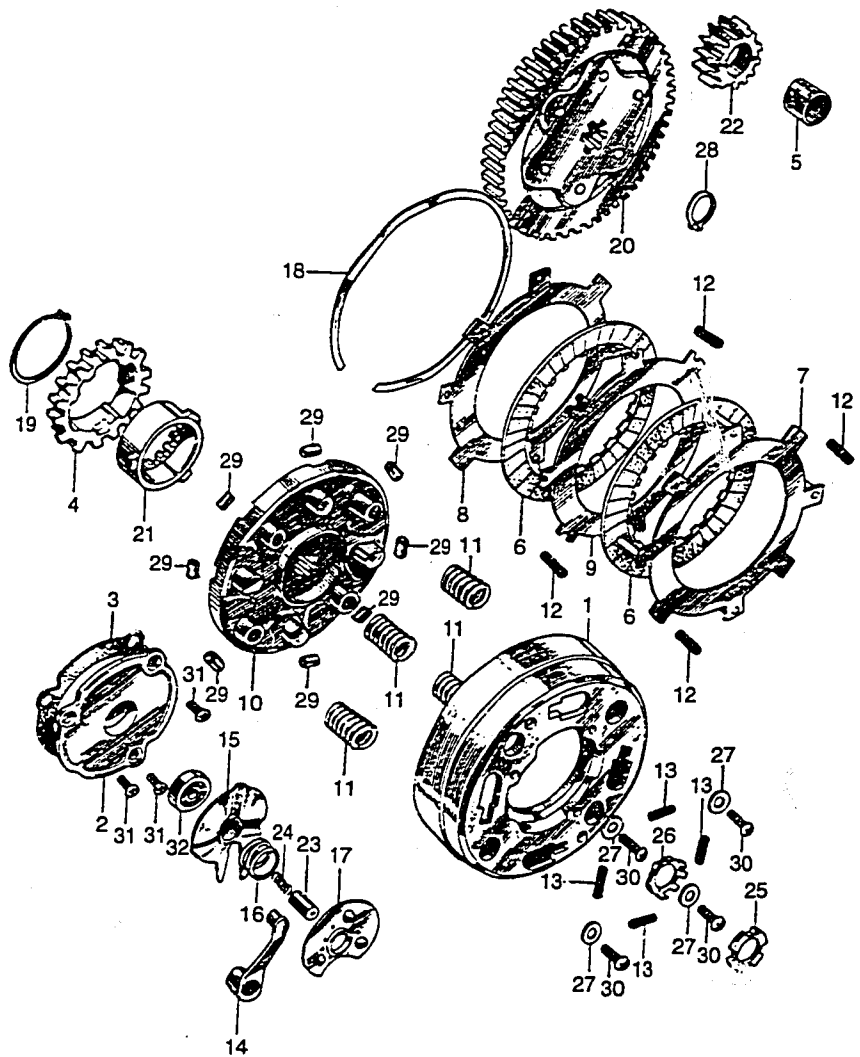
CONTENTS

TITLE	PAGE	GRID
AIR CLEANER	66	D12
ALTERNATOR	36	C6
BATTERY	100	F5
BRAKE, FR. Z50AK2	88	E11
CAM CHAIN TENSIONER	12	B6
CAKSHAFT	10	B5
CARBURETOR SET	40	C8
CHANGE PEDAL	104	F7
CLUTCH	16	B8
CRANKCASE	14	B7
CRANKCASE COVER	22	B11
CRANKCASE COVER, L.	36	C6
CRANKSHAFT	6	B3
CUSHION, FR.	54	D6
CYLINDER	2	B1
CYLINDER HEAD	2	B1
FENDER, FR.	96	F3
FORK, FR.	50	D4
FRAME	66	D12
FUEL TANK	56	D7
GEAR SHIFT DRUM	32	C4
GEARSHIFT SPINDLE	30	C3
HANDLEBAR	44	D1
HEADLIGHT	92	F1
HEADLIGHT CASE	92	F1
KICK	104	F7
MUFFLER	70	E2
OIL PUMP	22	B11
SEAT	62	D10
STEP BAR	62	D10
TAILLIGHT	96	F3
TRANSMISSION	26	C1
VALVE	10	B5
WHEEL, FR.	74	E4
WHEEL, FR.	80	E7
WIRE HARNESS	100	F5

16 © AMERICAN HONDA MOTOR CO., LTD. 1994
Z50A ENGINE NO.; Z50AE-100001 TO SUBSEQUENT
Z50A FRAME NO.; Z50A-100001 TO 120087
Z50AK1 ENGINE NO.; Z50AE-120088 TO SUBSEQUENT
Z50AK1 FRAME NO.; Z50A-120088 TO 270235

Z50AK2 ENGINE NO.; Z50AE-270236 TO SUBSEQUENT
Z50AK2 FRAME NO.; Z50A-270236 TO 387884

CLUTCH



E14045206

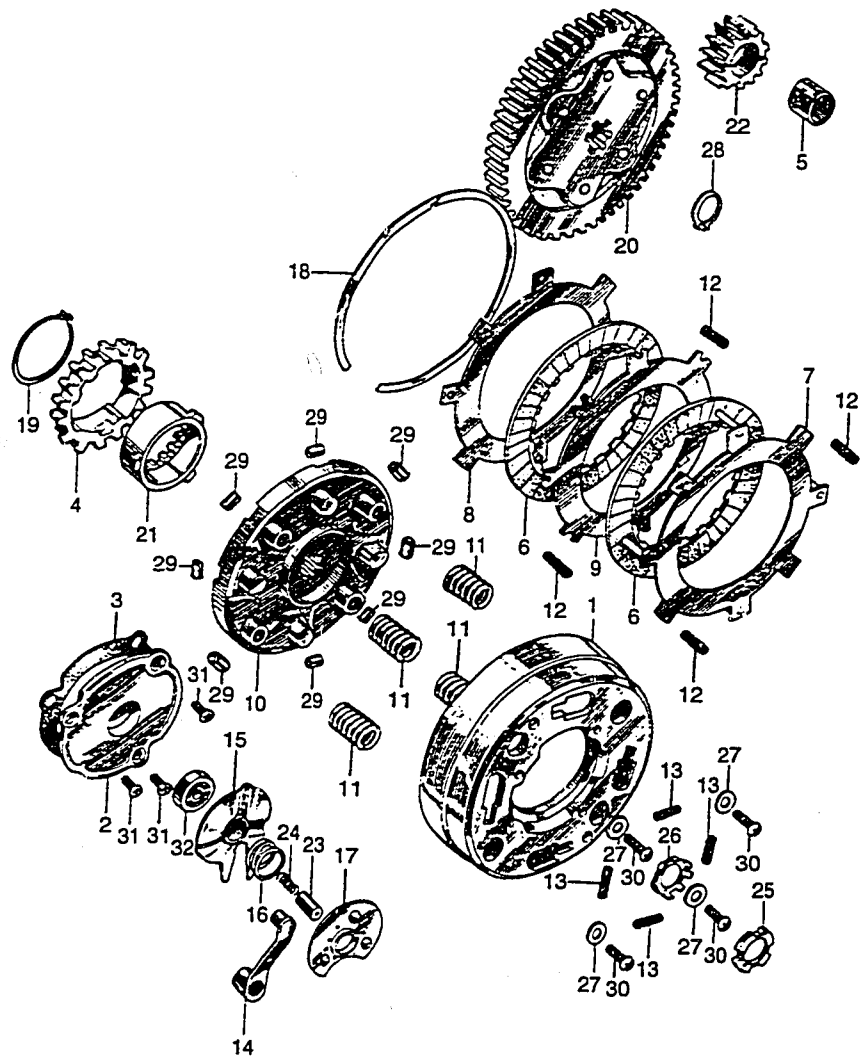
A = Z50A
K1 = Z50AK1
K2 = Z50AK2

Ref. No.	BLOCK NO. DESCRIPTION	E-6	Z50A			ENGINE SERIAL NUMBER		QTY	PART NUMBER	HONDA CODE
			A	K1	K2	FROM	TO			
19	CIRCLIP, 45MM		A			103193		1	90602-041-000	0201301
20	GEAR, PRIMARY DRIVEN (67T)		A	K1	K2			1	23110-036-000	0174771
	GEAR, PRIMARY DRIVEN (67T)		A	K1	K2			1	23110-036-010	0250290
	GEAR, PRIMARY DRIVEN (67T)		A	K1	K2			1	23110-087-000	0185215
	GEAR, PRIMARY DRIVEN (67T)		A	K1	K2			1	23110-098-740	0268029
21	OUTER, DRIVE GEAR (18T)		A			103192		1	23112-041-010	0174789
	OUTER, DRIVE GEAR (18T)		A	K1		103193	217925	1	23112-041-030	0201293
	OUTER, DRIVE GEAR (18T)			K1	K2			1	23112-041-040	0203885
	OUTER, DRIVE GEAR (18T)			K1		217296		1	23112-041-040	0203885
	OUTER, DRIVE GEAR (18T)			K1	K2			1	23112-041-050	3679800
	OUTER, DRIVE GEAR (18T)			K1		217296		1	23112-041-050	3679800
22	GEAR, PRIMARY DRIVE (18T)		A	K1			217925	1	23120-036-010	0174797
	GEAR, PRIMARY DRIVE (18T)			K1	K2			1	23120-041-000	0203893
	GEAR, PRIMARY DRIVE (18T)			K1		217926		1	23120-041-000	0203893
23	THROUGH, OIL		A	K1	K2			1	25551-040-007	0175737
	THROUGH, OIL		A	K1	K2			1	25551-918-000	0234302
	THROUGH, OIL		A	K1	K2			1	25551-918-007	0271577
24	SPRING, OIL GUIDE		A	K1	K2			1	25555-065-000	0175729
25	NUT, LOCK, 14MM		A	K1	K2			1	90231-041-000	0169177
26	WASHER, LOCK, 14MM		A	K1	K2			1	90431-001-000	0004788
27	WASHER, STOPPER, 5MM		A	K1	K2			4	90483-040-000	0085795
28	CIRCLIP, EXTERNAL, 17MM		A	K1	K2			1	90601-001-000	0003707
29	ROLLER, 8X10		A	K1	K2			8	91102-041-000	0174946
	ROLLER, 8X10		A	K1	K2			8	91102-041-007	0715516
30	SCREW, PAN, 5X8		A			108295		4	90050-371-980	0457010
	SCREW, PAN, 5X8		A			108295		4	93500-05008	0057109
	SCREW, PAN, 5X8		A			108295		4	93500-05008-0A	0145540
	SCREW, PAN, 5X8		A	K1	K2			4	93500-05008-0A	0145540
	SCREW, PAN, 5X8		A			108295		4	93500-05008-1A	1107291
	SCREW, CROSS, 5X8		A			108295		4	93506-05008-0A	1062413
31	SCREW, FLAT, 5X10		A			108295		3	93600-05010	0055632
	SCREW, FLAT, 5X10		A			108296		3	93600-05010-0A	0181529
	SCREW, FLAT, 5X10			K1	K2			3	93600-05010-0A	0181529
32	BEARING, RADIAL BALL, 6000		A	K1	K2			1	96100-60000	0053157

CONTENTS

TITLE	PAGE	GRID
AIR CLEANER	66	D12
ALTERNATOR	36	C6
BATTERY	100	F5
BRAKE, RR, Z50AK2	88	E11
CAM CHAIN TENSIONER	12	B6
CAMSHAFT	10	B5
CARBURETOR SET	40	C8
CHANGE PEDAL	104	F7
CLUTCH	16	B8
CRANKCASE	14	B7
CRANKCASE COVER	22	B11
CRANKCASE COVER, L	36	C6
CRANKSHAFT	6	B3
CUSHION, FR	54	D6
CYLINDER	2	B1
CYLINDER HEAD	2	B1
FENDER, RR	96	F3
FORK, FR	50	D4
FRAME	66	D12
FUEL TANK	56	D7
GEAR SHIFT DRUM	32	C4
GEARSHIFT SPINDLE	30	C3
HANDLEBAR	44	D1
HEADLIGHT	82	F1
HEADLIGHT CASE	92	F1
KICK	104	F7
MUFFLER	70	E2
OIL PUMP	22	B11
SEAT	62	D10
STEP BAR	62	D10
TAILLIGHT	96	F3
TRANSMISSION	26	C1
VALVE	10	B5
WHEEL, FR	74	E4
WHEEL, RR	80	E7
WIRE HARNESS	100	F5

CLUTCH



E14045206

		Z50A			ENGINE SERIAL NUMBER		QTY	REO	PART NUMBER	HONDA CODE
		A	K 1	K 2	FROM	TO				
Ref. No.	BLOCK NO. DESCRIPTION	E-6								
		A	K1	K2						
	32 BEARING, RADIAL BALL, 6000	A	K1	K2			1	96100-60000-00	0671297	

© AMERICAN HONDA MOTOR CO., LTD. 1984 21

CONTENTS

TITLE	PAGE	GRID
AIR CLEANER	66	D12
ALTERNATOR	36	C6
BATTERY	100	F5
BRAKE, RR, Z50AK2	88	E11
CAM CHAIN TENSIONER	12	B6
CAMSHAFT	10	B5
CARBURETOR SET	40	C8
CHANGE PEDAL	104	F7
CLUTCH	16	B8
CRANKCASE	14	B7
CRANKCASE COVER	22	B11
CRANKCASE COVER, L	36	C6
CRANKSHAFT	6	B3
CUSHION, FR	54	D6
CYLINDER	2	B1
CYLINDER HEAD	2	B1
FENDER, FR	96	F3
FORK, FR	50	D4
FRAME	66	D12
FUEL TANK	56	D7
GEAR SHIFT DRUM	32	C4
GEARSHIFT SPINDLE	30	C3
HANDLEBAR	44	D1
HEADLIGHT	92	F1
HEADLIGHT CASE	92	F1
KICK	104	F7
MUFFLER	70	E2
OIL PUMP	22	B11
SEAT	62	D10
STEP BAR	62	D10
TAILLIGHT	96	F3
TRANSMISSION	26	C1
VALVE	10	B5
WHEEL, FR	74	E4
WHEEL, RR	80	E7
WIRE HARNESS	100	F5

GRID

B10

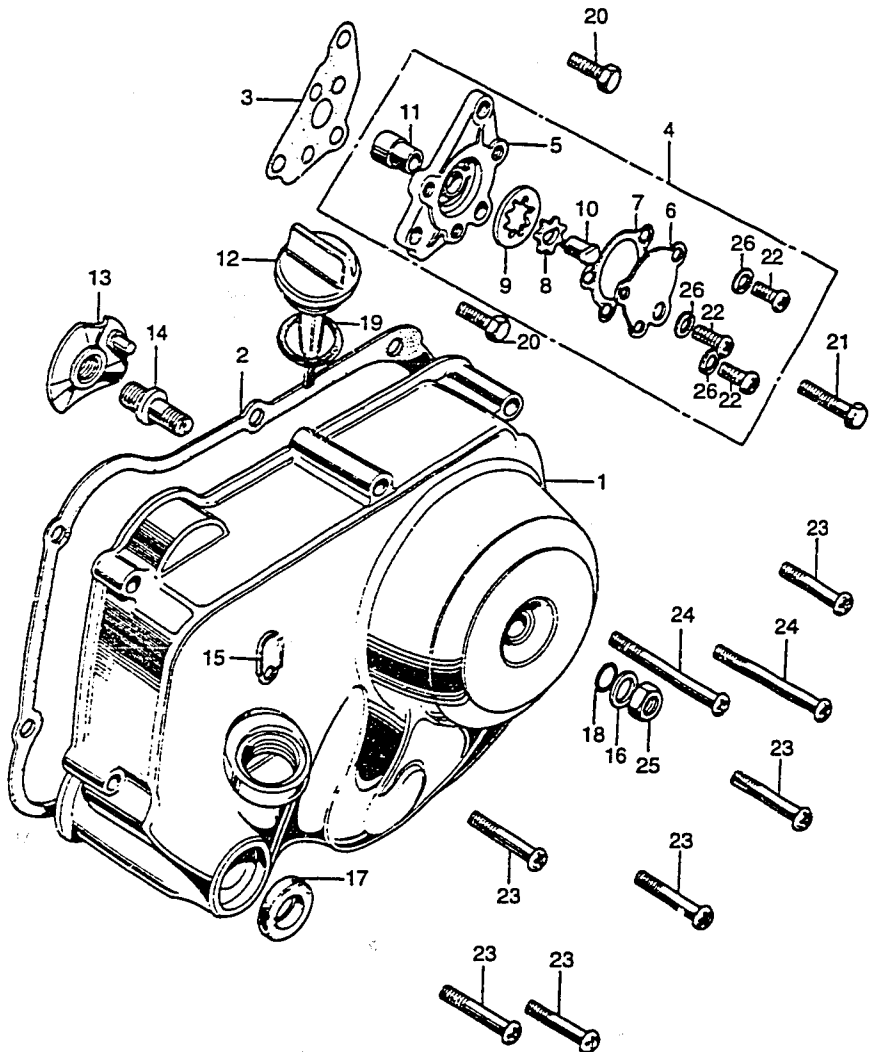
20 © AMERICAN HONDA MOTOR CO., LTD. 1984

B10

Z50A ENGINE NO.; Z50AE-100001 TO SUBSEQUENT
 Z50A FRAME NO.; Z50A-100001 TO 120087
 Z50AK1 ENGINE NO.; Z50AE-120088 TO SUBSEQUENT
 Z50AK1 FRAME NO.; Z50A-120088 TO 270235

Z50AK2 ENGINE NO.; Z50AE-270236 TO SUBSEQUENT
 Z50AK2 FRAME NO.; Z50A-270236 TO 387884

OIL PUMP • CRANKCASE COVER



E14045207

Ref. No.	BLOCK NO. DESCRIPTION	E-7	Z50A			ENGINE SERIAL NUMBER	QTY REQ	PART NUMBER	HONDA CODE
			A	K1	K2				
			FROM	TO					
1	COVER COMP., R. CRANKCASE		A	K1	1/2		1	11330-045-010	0174037
2	GASKET, R. CRANKCASE COVER		A	K1	K2		1	11394-035-010	0142224
	GASKET, R. CRANKCASE COVER		A	K1	K2		1	11394-035-306	4424206
3	GASKET, OIL PUMP BODY		A	K1	K2		1	15119-035-020	0117986
4	PUMP ASSY., OIL		A	K1	K2		1	15300-035-000	0131490
5	BODY, OIL PUMP		A			108955	1	15311-035-000	0131508
	BODY, OIL PUMP		A	K1	K2		1	15311-035-013	0181537
6	COVER, OIL PUMP		A	K1	K2		1	15321-035-000	0131516
7	GASKET, OIL PUMP COVER		A	K1	K2		1	15329-035-000	0131524
	GASKET, OIL PUMP COVER		A	K1	K2		1	15329-035-003	0856609
8	ROTOR, OIL PUMP INNER		A	K1	K2		1	15331-035-000	0131532
	ROTOR, OIL PUMP INNER		A	K1	K2		1	15331-035-004	0856617
9	ROTOR, OIL PUMP OUTER		A	K1	K2		1	15332-035-000	0131540
	ROTOR, OIL PUMP OUTER		A	K1	K2		1	15332-035-004	0856625
10	DRIVESHAFT, OIL PUMP		A	K1	K2		1	15382-035-000	0131557
	DRIVESHAFT, OIL PUMP		A	K1	K2		1	15382-035-003	0856633
11	PIN, OIL PUMP KNOCK		A	K1	K2		1	15383-035-000	0131565
12	GAUGE, OIL LEVEL		A	K1	K2		1	15650-051-690	0174300
	DIPSTICK		A	K1	K2		1	15650-098-730	0268128
13	PLATE COMP., CLUTCH LIFTER		A	K1	K2		1	22830-041-000	0174730
14	BOLT, CLUTCH ADJUSTING		A	K1	K2		1	22846-040-010	0174763
15	GUIDE, RR. BRAKE CABLE			K1	K2		1	43458-045-670	0218966
16	WASHER, 8MM		A	K1	K2		1	90485-040-000	0174938
17	OIL SEAL, 14X24X5		A	K1	K2		1	91202-216-000	0027060
	OIL SEAL, 14X24X5		A	K1	K2		1	91202-216-003	0195710
	OIL SEAL, 14X24X5		A	K1	K2		1	91202-302-000	0196709
	OIL SEAL, 14X24X5		A	K1	K2		1	91202-302-010	2255867
	OIL SEAL, 13.8X24X5		A	K1	K2		1	91205-HB2-771	2422095
	OIL SEAL, 13.8X24X5		A	K1	K2		1	91205-HB2-772	4222030
	OIL SEAL, 14X24X5		A	K1	K2		1	91205-035-303	0083618
18	O-RING, 8MM		A	K1	K2		1	91303-001-000	0003202
	O-RING, 8X1.7		A	K1	K2		1	91306-HB3-003	2399525

© AMERICAN HONDA MOTOR CO., LTD. 1994 23

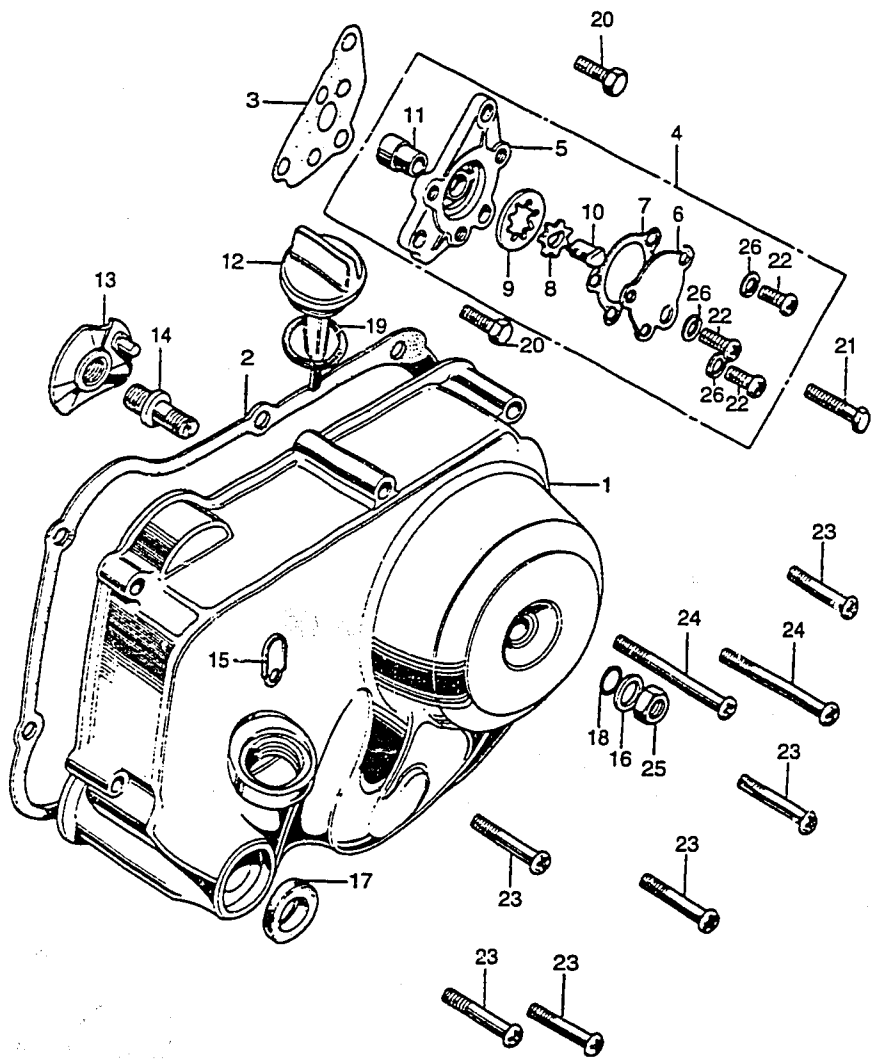
CONTENTS

TITLE	PAGE	GRID
AIR CLEANER	66	D12
ALTERNATOR	36	C6
BATTERY	100	F5
BRAKE, FR. Z50AK2	88	E11
CAM CHAIN TENSIONER	12	E8
CAKSHAFT	10	B5
CARBURETOR SET	40	C8
CHANGE PEDAL	104	F7
CLUTCH	16	B8
CRANKCASE	14	F7
CRANKCASE COVER	22	B11
CRANKCASE COVER, L.	36	C6
CRANKSHAFT	6	B3
CUSHION, FR.	54	D6
CYLINDER	2	B1
CYLINDER HEAD	2	B1
FENDER, FR.	96	F3
FORK, FR.	50	D4
FRAME	66	D12
FUEL TANK	56	D7
GEAR SHIFT DRUM	32	C4
GEARSHIFT SPINDLE	30	C3
HANDLEBAR	42	D1
HEADLIGHT	92	F1
HEADLIGHT CASE	92	F1
KICK	104	F7
MUFFLER	70	E2
OIL PUMP	22	B11
SEAT	62	D10
STEP BAR	62	D10
TAILLIGHT	96	F3
TRANSMISSION	26	C1
VALVE	10	B5
WHEEL, FR.	74	E4
WHEEL, RR.	80	E7
WIRE HARNESS	100	F5

22 © AMERICAN HONDA MOTOR CO., LTD. 1994
 Z50A ENGINE NO.; Z50AE-100001 TO SUBSEQUENT
 Z50A FRAME NO.; Z50A-100001 TO 120087
 Z50AK1 ENGINE NO.; Z50AE-120088 TO SUBSEQUENT
 Z50AK1 FRAME NO.; Z50A-120088 TO 270235

Z50AK2 ENGINE NO.; Z50AE-270236 TO SUBSEQUENT
 Z50AK2 FRAME NO.; Z50A-270236 TO 387884

OIL PUMP • CRANKCASE COVER



E14045207

		Z50A			ENGINE SERIAL NUMBER	QTY REQ	PART NUMBER	HONDA CODE
		A	K1	K2				
Ref. No.	BLOCK NO. DESCRIPTION	E-7	A	K1	K2	FROM	TO	
19	O-RING, 18X3 (ARAI)		A	K1	K2	-----	-----	1 91307-KF0-003 1761766
	O-RING, 18X3		A	K1	K2	-----	-----	1 91307-035-000 0174961
20	BOLT, HEX., 6X16		A	K1	K2	-----	-----	2 92000-06016 0054239
	BOLT, HEX., 6X16		A	K1	K2	-----	-----	2 92000-06016-0A 0313197
	BOLT, HEX., 6X16		A	K1	K2	-----	-----	2 92000-06016-1A 0915124
	BOLT, HEX., 6X16		A	K1	K2	-----	-----	2 92100-06016-0A 1685726
	BOLT, HEX., 6X16		A	K1	K2	-----	-----	2 92101-06016-0A 2479590
	BOLT, HEX., 5X16		A	K1	K2	-----	-----	2 92200-06016-0A 1842400
21	BOLT, HEX., 6X20		A	K1	K2	-----	-----	1 92000-06020 0054270
	BOLT, HEX., 6X20		A	K1	K2	-----	-----	1 92101-06020-0A 2528925
22	SCREW, PAN, 5X10		A	---	---	108955	---	3 93500-05010 0057125
	SCREW, PAN, 5X10		A	---	---	108955	---	3 93500-05010-0A 0156976
	SCREW, PAN, 5X10		A	K1	K2	---	---	3 93500-05010-0A 0156976
	SCREW, PAN, 5X10		A	---	---	108955	---	3 93500-05010-1A 0814343
	SCREW, 5X10		A	---	---	108955	---	3 93510-05010-0A 0173583
23	SCREW, PAN, 6X38		A	K1	K2	-----	-----	6 93500-06038 0057596
	SCREW, PAN, 6X38		A	K1	K2	-----	-----	6 93500-06038-0A 3755287
24	SCREW, PAN, 6X65		A	K1	K2	-----	-----	2 93500-06065 0057695
25	NUT, HEX., 8MM		A	K1	K2	-----	-----	1 94030-08000 0114686
26	WASHER, SPRING, 5MM		A	K1	K2	-----	-----	3 94111-05000 0058966

CONTENTS

TITLE	PAGE	GRID
AIR CLEANER	56	D-2
ALTERNATOR	36	C6
BATTERY	100	F5
BRAKE, RR, Z50AK2	56	E-7
CAM CHAIN TENSIONER	12	B6
CAMSHAFT	10	B5
CARBURETOR SET	40	C8
CHANGE PEDAL	164	F7
CLUTCH	16	B8
CRANKCASE	14	B7
CRANKCASE COVER	22	B-11
CRANKCASE COVER, L	36	C6
CRANKSHAFT	6	B3
CUSHION, FR	54	D6
CYLINDER	2	B-1
CYLINDER HEAD	2	B-1
FENDER, RR	96	F3
FORK, FR	50	D4
FRAME	66	D-2
FUEL TANK	56	E-7
GEAR SHIFT DRUM	32	C4
GEARSHIFT SPINDLE	30	C3
HANDLEBAR	44	D-1
HEADLIGHT	92	F-1
HEADLIGHT CASE	92	F-1
KICK	104	F7
MUFFLER	70	E2
OIL PUMP	62	B-11
SEAT	62	D-10
STEP BAR	62	D-10
TAILLIGHT	96	F3
TRANSMISSION	26	C-1
VALVE	10	B5
WHEEL, FR	74	E4
WHEEL, RR	80	E7
WIRE HARNESS	100	F5

24 © AMERICAN HONDA MOTOR CO., LTD. 1994

B12

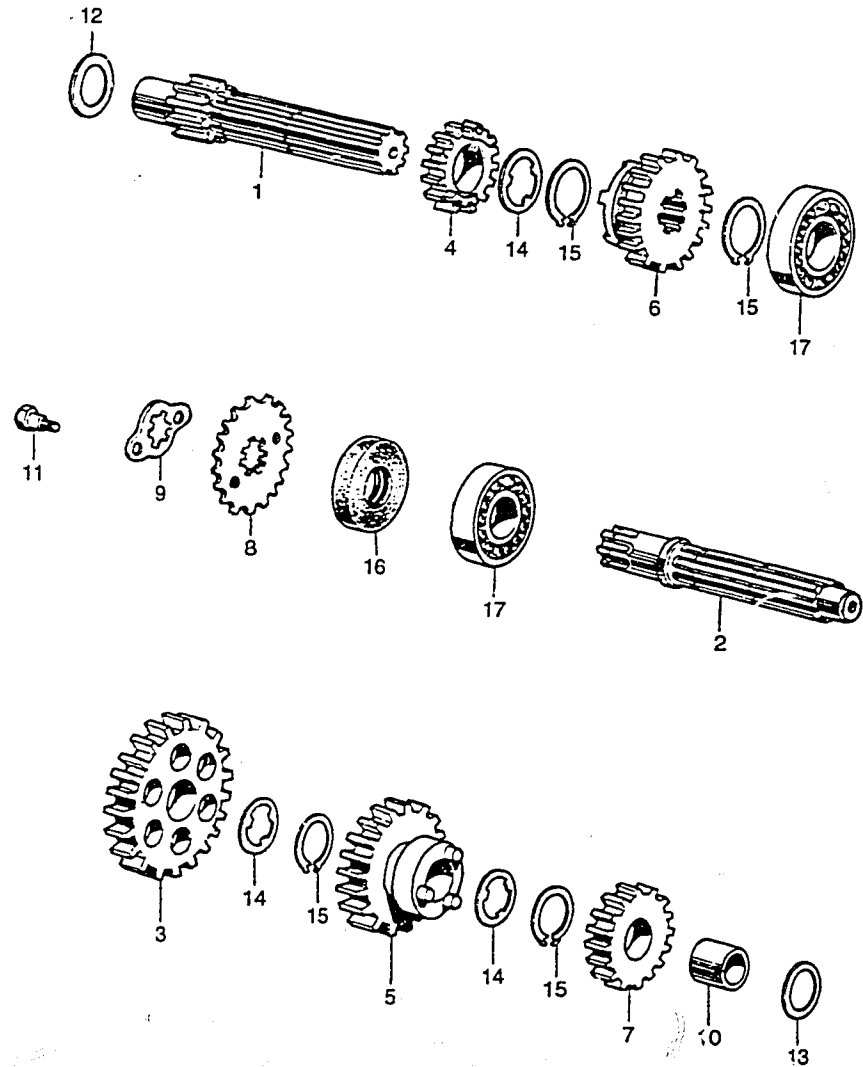
© AMERICAN HONDA MOTOR CO., LTD. 1994 25

Z50A ENGINE NO.; Z50AE-100001 TO SUBSEQUENT
 Z50A FRAME NO.; Z50A-100001 TO 120087
 Z50AK1 ENGINE NO.; Z50AE-120088 TO SUBSEQUENT
 Z50AK1 FRAME NO.; Z50A-120088 TO 270235

Z50AK2 ENGINE NO.; Z50AE-270236 TO SUBSEQUENT
 Z50AK2 FRAME NO.; Z50A-270236 TO 387884

GRID **B12**

TRANSMISSION



E14045208

A = Z50A
K1 = Z50AK1
K2 = Z50AK2

Ref. No.	BLOCK NO. DESCRIPTION	E-8	Z50A			ENGINE SERIAL NUMBER		QTY REQ	PART NUMBER	HONDA CODE
			A	K1	K2	FROM	TO			
1	MAINSHAFT, TRANSMISSION (11T) ...	A	K1	K2	-----	-----	1	23211-041-020	0174805	
2	COUNTERSHAFT, TRANSMISSION ...	A	K1	K2	-----	-----	1	23221-041-040	0174813	
	COUNTERSHAFT, TRANSMISSION ...	A	K1	K2	-----	-----	1	23221-041-050	1783877	
3	GEAR, COUNTERSHAFT LOW (35T) ...	A	K1	K2	-----	-----	1	23421-076-000	0174821	
	GEAR, COUNTERSHAFT LOW (35T) ...	A	K1	K2	-----	-----	1	23421-076-010	0941898	
4	GEAR, MAINSHAFT SECOND (17T) ...	A	K1	K2	-----	-----	1	23431-041-040	0174839	
5	GEAR, COUNTERSHAFT SECOND (31T) .	A	K1	K2	-----	-----	1	23441-041-060	0174847	
	GEAR, COUNTERSHAFT SECOND (31T) .	A	K1	K2	-----	-----	1	23441-086-000	0270819	
	GEAR, COUNTERSHAFT SECOND (31T) .	A	K1	K2	-----	-----	1	23441-086-010	1092493	
6	GEAR, MAINSHAFT TOP (21T) ...	A	K1	K2	-----	-----	1	23471-041-040	0174854	
7	GEAR, COUNTERSHAFT TOP (25T) ...	A	K1	K2	-----	-----	1	23481-041-020	0174862	
	GEAR, COUNTERSHAFT TOP (25T) ...	A	K1	K2	-----	-----	1	23481-086-000	0270751	
	GEAR, COUNTERSHAFT TOP (25T) ...	A	K1	K2	-----	-----	1	23481-086-010	1092519	
8	SPROCKET, DRIVE (13T) ...	A	---	---	-----	106900	1	23800-045-000	0174870	
	SPROCKET, DRIVE (12T) ...	A	---	---	106901	-----	1	23800-045-670	0180570	
	SPROCKET, DRIVE (12T) ...	---	K1	K2	-----	-----	1	23800-045-671	0181941	
9	PLATE, DRIVE SPROCKET FIXING ...	A	---	---	-----	106900	1	23802-041-000	0174868	
	PLATE, DRIVE SPROCKET FIXING ...	A	---	---	-----	106900	1	23802-041-010	0185595	
	PLATE, DRIVE SPROCKET FIXING ...	A	---	---	106901	-----	1	23802-045-670	0266528	
	PLATE, DRIVE SPROCKET FIXING ...	---	K1	K2	-----	-----	1	23802-045-670	0266528	
	PLATE, DRIVE SPROCKET FIXING ...	A	---	---	106901	-----	1	23802-065-305	0180588	
	PLATE, DRIVE SPROCKET FIXING ...	---	K1	K2	-----	-----	1	23802-065-305	0180588	
10	COLLAR, GEAR ...	A	K1	K2	-----	-----	1	23911-041-010	0174896	
	COLLAR, GEAR ...	A	K1	K2	-----	-----	1	23911-041-020	1692576	
11	BOLT, DRIVE SPROCKET FIXING ...	A	K1	K2	-----	-----	2	90684-041-000	0174995	
12	WASHER, THRUST, 14MM ...	A	K1	K2	-----	-----	1	90451-001-000	0004671	
13	WASHER, 13.5MM ...	A	K1	K2	-----	-----	1	90451-035-000	0070904	
14	WASHER, SPLINE, 17MM ...	A	K1	K2	-----	-----	3	90461-001-000	0003723	
	WASHER, SPLINE, 17MM ...	A	K1	K2	-----	-----	3	90461-035-000	0185611	
15	CIRCLIP, EXTERNAL, 17MM ...	A	K1	K2	-----	-----	4	90601-001-000	0003707	
16	OIL SEAL, 17X29X5 ...	A	K1	K2	-----	-----	1	91203-035-000	0071043	
	OIL SEAL, 17X29X5 (NOK) ...	A	K1	K2	-----	-----	1	91203-035-005	0722439	
17	BEARING, RADIAL BALL, 6203 ...	A	K1	K2	-----	-----	2	96100-62030	0053256	

C1

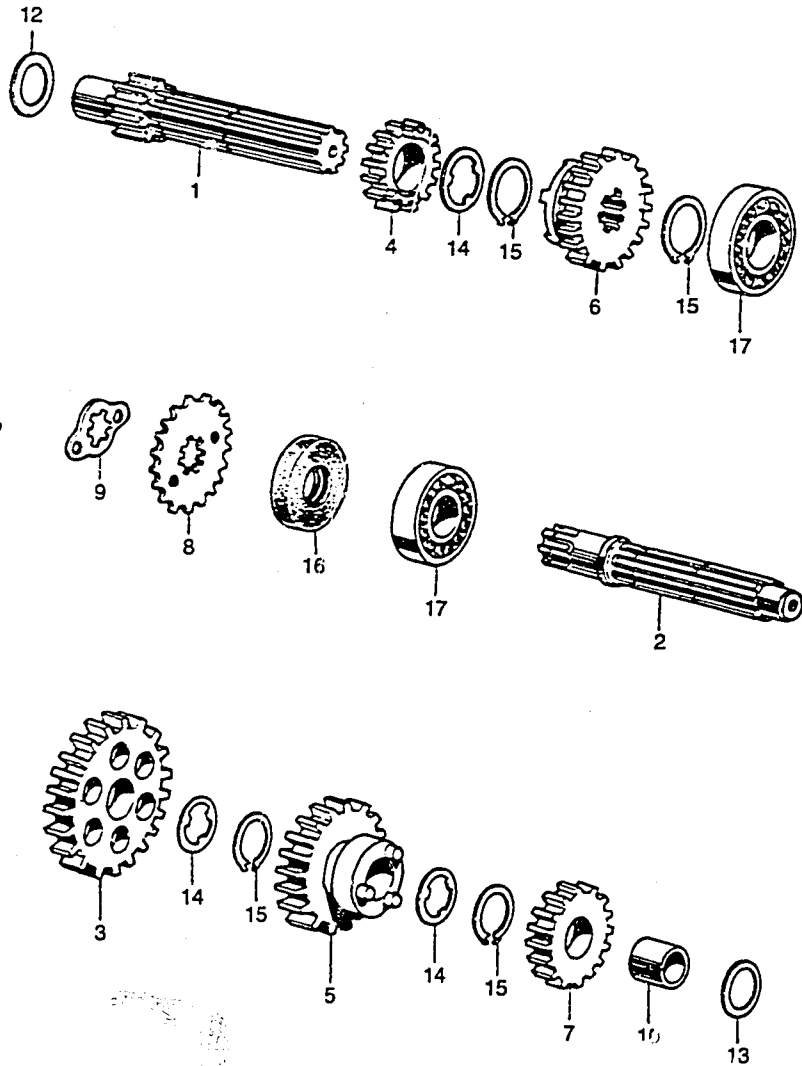
CONTENTS

TITLE	PAGE	GRID
AIR CLEANER	66	D12
ALTERNATOR	36	C6
BATTERY	100	F5
BRAKE, RR, Z50AK2	88	E11
C/M CHAIN TENSIONER	12	B6
CAMSHAFT	10	B5
CARBURETOR SET	40	C9
CHANGE PEDAL	104	F7
CLUTCH	16	B8
CRANKCASE	14	B7
CRANKCASE COVER	22	B11
CRANKCASE COVER, L	36	C6
CRANKSHAFT	6	B3
CUSHION, FR.	54	D6
CYLINDER	2	B1
CYLINDER HEAD	2	B1
FENDER, RR	96	F3
FORK, FR	50	D4
FRAME	66	D12
FUEL TANK	56	D7
GEAR SHIFT DRUM	32	C4
GEARSHIFT SPINDLE	30	C3
HANDLEBAR	44	D1
HEADLIGHT	92	F1
HEADLIGHT CASE	92	F1
KICK	104	F7
MUFFLER	70	E2
OIL PUMP	22	B11
SEAT	62	D10
STEP BAR	62	D10
TAILLIGHT	96	F3
TRANSMISSION	26	C1
VALVE	10	B5
WHEEL, FR	74	E4
WHEEL, RR	80	E7
WIRE HARNESS	100	F5

GRID

C1

TRANSMISSION



E14045208

A = Z50A
K1 = Z50AK1
K2 = Z50AK2

Ref. No.	BLOCK NO. DESCRIPTION	E-8	Z50A			ENGINE SERIAL NUMBER		QTY REQ	PART NUMBER	HONDA CODE
			A	K1	K2	FROM	TO			
17	BEARING, RADIAL BALL, 6203		A	K1	K2	-----	-----	2	96100-62030-00	0722199

CONTENTS

TITLE	PAGE	GRID
AIR CLEANER	56	D12
ALTERATOR	36	C6
BATTERY	100	F5
BRAKE, RR, Z50AK2	88	E11
CAM CHAIN TENSIONER	12	B6
CAMSHAFT	10	B5
CARBURETOR SET	40	C8
CHANGE PEDAL	104	F7
CLUTCH	16	B8
CRANKCASE	14	B7
CRANKCASE COVER	22	B11
CRANKCASE COVER, L.	36	C6
CRANKSHAFT	6	B3
CUSHION, FR.	54	D6
CYLINDER	2	B1
CYLINDER HEAD	2	B1
FENDER, RR.	96	F3
FORK, FR.	50	D4
FRAME	66	D12
FUEL TANK	56	D7
GEAR SHIFT DRUM	32	C4
GEARSHIFT SPINDLE	30	C3
HANDLEBAR	44	D1
HEADLIGHT	92	F1
HEADLIGHT CASE	92	F1
KICK	104	F7
MUFFLER	70	E2
OIL PUMP	22	B11
SEAT	62	D10
STEP BAR	62	D10
TAILLIGHT	96	F3
TRANSMISSION	26	C1
VALVE	10	B5
WHEEL, FR.	74	E4
WHEEL, RR.	80	E7
WIRE HARNESS	100	F5

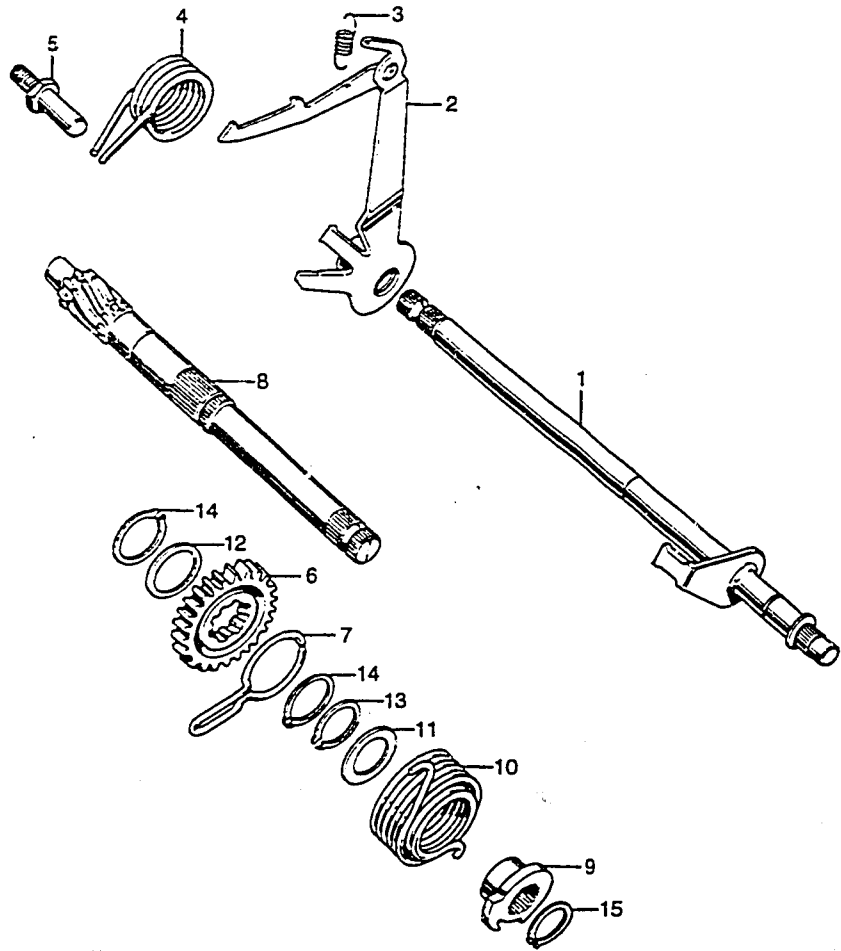
GRID

C2

Z50A ENGINE NO.; Z50AE-100001 TO SUBSEQUENT
Z50A FRAME NO.; Z50A-100001 TO 120087
Z50AK1 ENGINE NO.; Z50AE-120088 TO SUBSEQUENT
Z50AK1 FRAME NO.; Z50A-120088 TO 270235

Z50AK2 ENGINE NO.; Z50AE-270236 TO SUBSEQUENT
Z50AK2 FRAME NO.; Z50A-270236 TO 387884

GEARSHIFT SPINDLE



E14045209

		Z50A					QTY	REO	PART NUMBER	HONDA CODE
		A	K1	K2	ENGINE SERIAL NUMBER					
Ref. No.	BLOCK NO. E-9 DESCRIPTION	A	K1	K2	FROM	TO				
	A = Z50A K1 = Z50AK1 K2 = Z50AK2									
1	SPINDLE COMP., GEARSHIFT	A	K1	K2	---	---	1	24610-040-020	0175687	
	SPINDLE COMP., GEARSHIFT	A	K1	K2	---	---	1	24610-098-730	0267955	
2	ARM, GEARSHIFT	A	K1	K2	---	---	1	24630-040-040	0175695	
	ARM, GEARSHIFT	A	K1	K2	---	---	1	24630-086-000	0270769	
	ARM, GEARSHIFT	A	K1	K2	---	---	1	24630-086-010	1092618	
3	SPRING, GEARSHIFT ARM	A	K1	K2	---	---	1	24641-041-000	0132746	
4	SPRING, GEARSHIFT RETURN	A	K1	K2	---	---	1	24651-041-000	0175703	
5	PIN, SHIFT RETURN SPRING	A	K1	K2	---	---	1	24652-035-000	0070698	
6	PINION, KICK STARTER (22T)	A	K1	K2	---	---	1	28211-040-035	0175745	
7	SPRING, KICK STARTER RATCHET	A	K1	K2	---	---	1	28223-035-035	0175752	
8	SPINDLE, KICK STARTER	A	K1	K2	---	---	1	28251-035-065	0175760	
9	RETAINER, KICK SPRING	A	K1	K2	---	---	1	28262-035-020	0175778	
	RETAINER, KICK SPRING	A	K1	K2	---	---	1	28262-041-730	0377812	
10	SPRING, KICK STARTER (NIPPON HATSUJO)	A	K1	K2	---	---	1	28281-035-003	2757631	
	SPRING, KICK STARTER	A	K1	K2	---	---	1	28281-035-010	0175786	
11	WASHER, THRUST, 17MM	A	K1	K2	---	---	1	90451-040-000	0082974	
12	WASHER, 20MM	A	K1	K2	---	---	1	90482-035-025	0174912	
13	CIRCLIP, EXTERNAL, 17MM	A	K1	K2	---	---	1	90601-001-000	0003707	
14	SET RING, 20MM	A	K1	K2	---	---	2	90605-200-000	0097246	
15	CIRCLIP, EXTERNAL, 16MM	A	K1	K2	---	---	1	94510-16000	0069344	

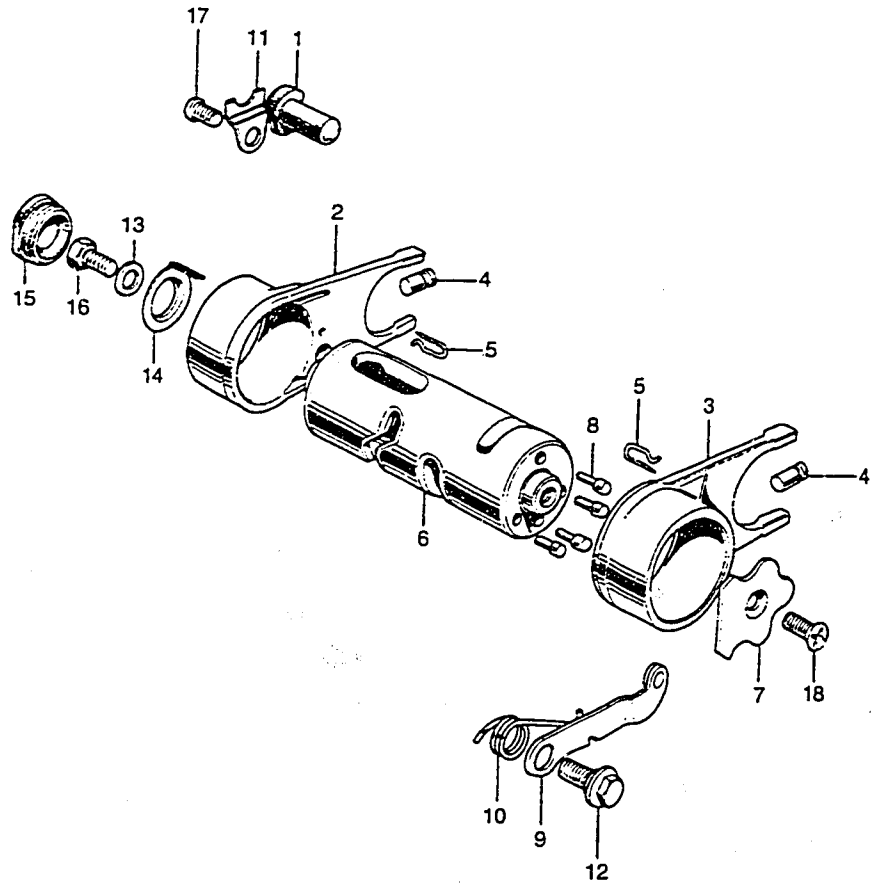
CONTENTS

TITLE	PAGE	GRID
AIR CLEANER	66	D12
ALTERNATOR	36	C6
BATTERY	100	F5
BRAKE, RR, Z50AK2	88	E11
CAM CHAIN TENSIONER	12	B6
CAMSHAFT	10	B5
CARBURETOR SET	40	C8
CHANGE PEDAL	104	F7
CLUTCH	16	B8
CRANKCASE	14	B7
CRANKCASE COVER	22	B11
CRANKCASE COVER, L.	36	C6
CRANKSHAFT	6	B3
CUSHION, FR.	54	D6
CYLINDER	2	B1
CYLINDER HEAD	2	B1
FENDER, FR.	96	F3
FORK, FR.	50	D4
FRAME	66	D12
FUEL TANK	56	D7
GEAR SHIFT DRUM	32	C4
GEARSHIFT SPINDLE	30	C3
HANDLEBAR	44	D1
HEADLIGHT	92	F1
HEADLIGHT CASE	92	F1
KICK	104	F7
MUFFLER	70	E2
OIL PUMP	22	B11
SEAT	62	D10
STEP BAR	62	D10
TAILLIGHT	96	F3
TRANSMISSION	26	C1
VALVE	10	B5
WHEEL, FR.	74	E4
WHEEL, RR.	80	E7
WIRE HARNESS	100	F5

GRID

C3

GEAR SHIFT DRUM



E14045210

A = Z50A
K1 = Z50AK1
K2 = Z50AK2

Ref. No.	BLOCK NO. DESCRIPTION	Z50A			ENGINE SERIAL NUMBER FROM TO	QTY REQ	PART NUMBER	HONDA CODE
		A	K1	K2				
		A	K1	K2				
1	PLUG, SEALING, 10MM	A	---	---	103922	1	11926-020-000	0174052
2	FORK, L. GEARSHIFT	A	K1	K2	---	1	24211-041-000	0175620
	FORK, L. GEARSHIFT	A	K1	K2	---	1	24211-087-303	0297473
3	FORK, R. GEARSHIFT	A	K1	K2	---	1	24221-041-000	0175638
	FORK, R. GEARSHIFT	A	K1	K2	---	1	24221-041-010	1068915
4	PIN, GEARSHIFT FORK GUIDE	A	K1	K2	---	2	24261-028-010	0116962
	PIN, GEARSHIFT FORK GUIDE	A	K1	K2	---	2	24261-121-740	1074038
	PIN, GEARSHIFT FORK GUIDE	A	K1	K2	---	2	24261-121-741	3635406
5	CLIP, GEARSHIFT FORK GUIDE PIN	A	K1	K2	---	2	24263-028-000	0014266
6	DRUM, GEARSHIFT	A	K1	K2	---	1	24301-045-670	0175646
	DRUM, GEARSHIFT	A	K1	K2	---	1	24301-045-671	0957019
	DRUM, GEARSHIFT	A	K1	K2	---	1	24301-045-672	1074269
	DRUM, GEARSHIFT	A	K1	K2	---	1	24301-045-673	2297471
7	PLATE, GEARSHIFT DRUM STOPPER	A	K1	K2	---	1	24411-041-020	0175653
8	PIN, GEARSHIFT DRUM	A	K1	K2	---	4	24421-041-000	0175661
9	STOPPER, GEARSHIFT DRUM	A	K1	K2	---	1	24430-041-000	0175679
	STOPPER, GEARSHIFT DRUM	A	K1	K2	---	1	24430-041-010	0476820
10	SPRING, GEARSHIFT DRUM STOPPER	A	K1	K2	---	1	24435-6B2-000	1880459
	SPRING, GEARSHIFT DRUM STOPPER	A	K1	K2	---	1	24435-6B2-710	2943561
	SPRING, GEARSHIFT DRUM STOPPER	A	K1	K2	---	1	24435-040-000	0116350
11	PLATE, CONTACT FIXING	A	---	---	103922	1	35755-001-020	0002485
12	BOLT, GEARSHIFT DRUM STOPPER ARM PIVOT	A	K1	K2	---	1	90023-041-000	0141168
	BOLT, GEARSHIFT DRUM STOPPER ARM PIVOT	A	K1	K2	---	1	90023-041-010	2494375
13	WASHER, GEARSHIFT DRUM SIDE	A	K1	K2	---	1	90417-041-000	0124057
14	WASHER, 13.2MM	A	K1	K2	---	1	90484-045-010	0174920
15	PLUG, RUBBER, 19MM	A	K1	K2	---	1	90801-035-000	0069500
16	BOLT, HEX., 6X16	A	K1	K2	---	1	92000-06016	0054239
	BOLT, HEX., 6X16	A	K1	K2	---	1	92000-06016-0A	0313197
	BOLT, HEX., 6X16	A	K1	K2	---	1	92000-06016-1A	0915124
	BOLT, HEX., 6X16	A	K1	K2	---	1	92100-06015-0A	1685726
	BOLT, HEX., 6X16	A	K1	K2	---	1	92101-06016-0A	2479590

C4

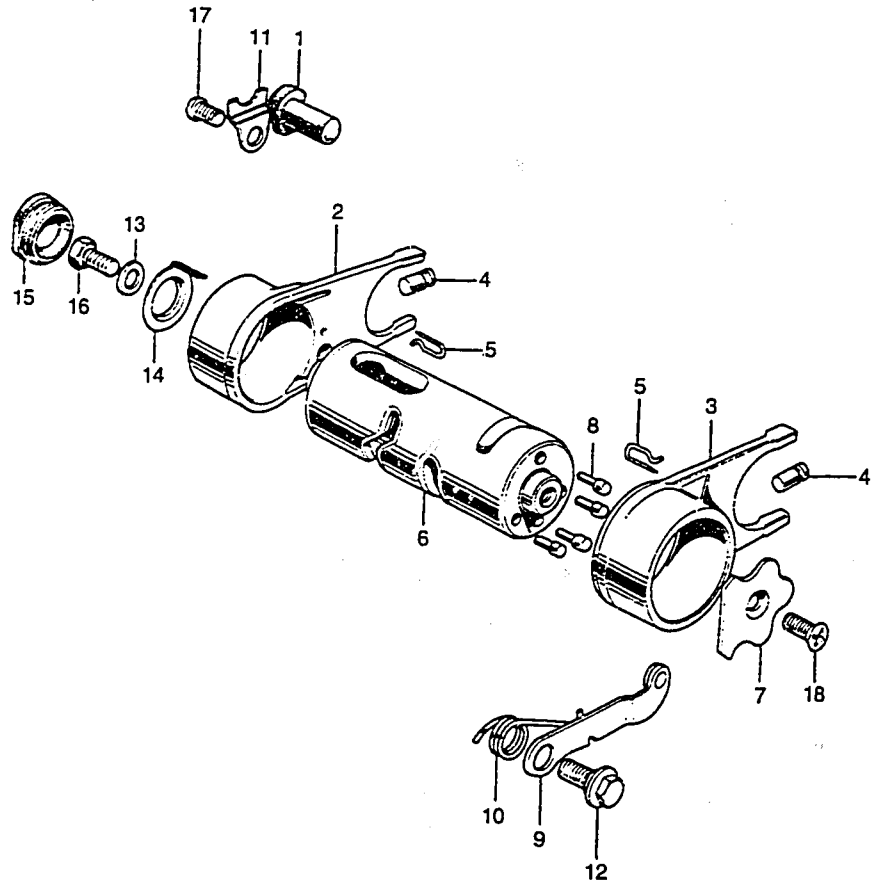
CONTENTS

TITLE	PAGE	GRID
AIR CLEANER	66	D12
ALTERNATOR	36	C6
BATTERY	10C	F5
BRAKE, RR, Z50AK2	88	E11
CAM CHAIN TENSIONER	12	B6
CAMSHAFT	10	B5
CARBURETOR SET	40	C8
CHANGE PEDAL	104	F7
CLUTCH	16	B8
CRANKCASE	14	B7
CRANKCASE COVER	22	B11
CRANKCASE COVER, L	36	C6
CRANKSHAFT	6	B3
CUSHION, FR	54	D6
CYLINDER	2	B1
CYLINDER HEAD	2	B1
FENDER, RR	96	F3
FORK, FR	50	D4
FRAME	66	D12
FUEL TANK	56	D7
GEAR SHIFT DRUM	32	C4
GEARSHIFT SPINDLE	30	C3
HANDLEBAR	44	D1
HEADLIGHT	92	F1
HEADLIGHT CASE	92	F1
KICK	104	F7
MUFFLER	70	E2
OIL PUMP	22	B11
SEAT	62	D10
STEP BAR	62	D10
TAILLIGHT	96	F3
TRANSMISSION	26	C1
VALVE	10	B5
WHEEL, FR	74	E4
WHEEL, RR	80	E7
WIRE HARNESS	100	F5

GRID

C4

GEAR SHIFT DRUM



E14045210

A = Z50A
K1 = Z50AK1
K2 = Z50AK2

Ref. No.	BLOCK NO. DESCRIPTION	E-10	Z50A			ENGINE SERIAL NUMBER FROM TO	QTY REQ	PART NUMBER	HONDA CODE
			A	K1	K2				
16	BOLT, HEX., 6X16		A	K1	K2	-----	1	92200-06016-0A	1842400
17	SCREW, PAN, 6X12		A	---	---	----- 103922	1	93500-06012	0057422
	SCREW, PAN, 6X12		A	---	---	----- 103922	1	93500-06012-0A	0182360
	SCREW, PAN, 6X12		A	---	---	----- 103922	1	93500-06012-00	2711489
18	SCREW, FLAT, 6X16		A	K1	K2	-----	1	93600-06016	0055798
	SCREW, FLAT, 6X16		A	K1	K2	-----	1	93600-06016-0A	0805358

CONTENTS

TITLE	PAGE	GRID
AIR CLEANER	66	D12
ALTERNATOR	36	C6
BATTERY	100	F5
BRAKE RR, Z50AK2	88	E11
CAM CHAIN TENSIONER	12	B6
CAMSHAFT	10	B5
CARBURETOR SET	40	C8
CHANGE PEDAL	104	F7
CLUTCH	16	B8
CRANKCASE	14	B7
CRANKCASE COVER	22	B11
CRANKCASE COVER, L	36	C6
CRANKSHAFT	6	B3
CUSHION, FR.	54	D6
CYLINDER	2	B1
CYLINDER HEAD	2	B1
FENDER, RR.	86	F3
FORK, FR.	50	D4
FRAME	66	D12
FUEL TANK	56	D7
GEAR SHIFT DRUM	32	C4
GEARSHIFT SPINDLE	30	C3
HANDLEBAR	4	D1
HEADLIGHT	22	F1
HEADLIGHT CASE	82	F1
KICK	104	F7
MUFFLER	70	E2
OIL PUMP	22	B11
SEAT	62	D10
STEP BAR	62	D10
TAILLIGHT	96	F3
TRANSMISSION	26	C1
VALVE	10	B5
WHEEL, FR.	74	E4
WHEEL, RR.	80	E7
WIRE HARNESS	100	F5

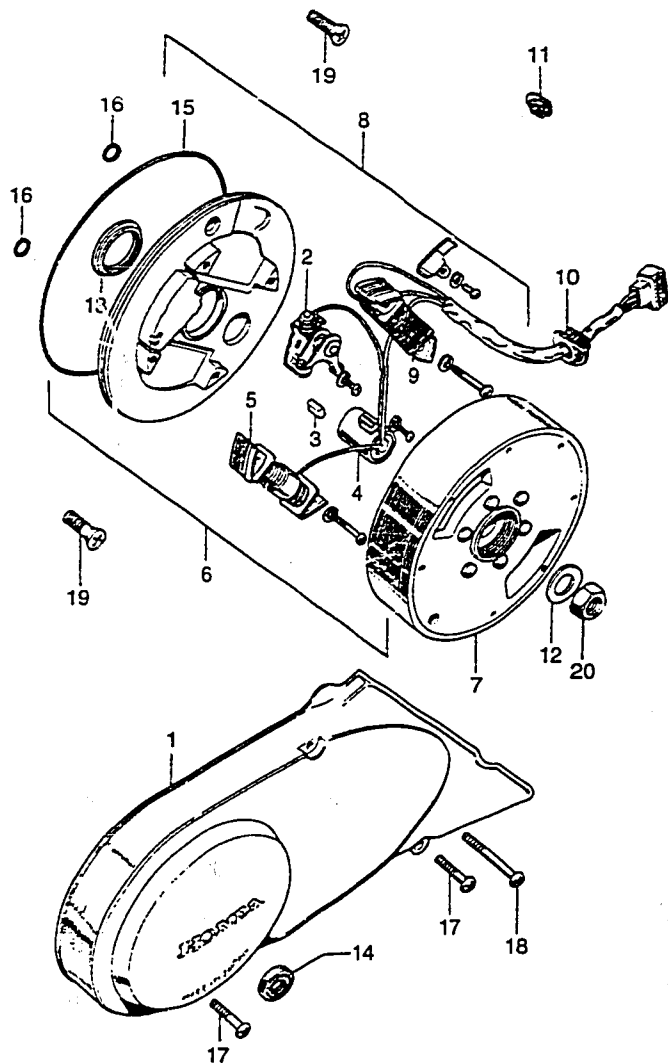
GRID

C5

Z50A ENGINE NO.; Z50AE-100001 TO SUBSEQUENT
Z50A FRAME NO.; Z50A-100001 TO 120087
Z50AK1 ENGINE NO.; Z50AE-120088 TO SUBSEQUENT
Z50AK1 FRAME NO.; Z50A-120088 TO 270235

Z50AK2 ENGINE NO.; Z50AE-270236 TO SUBSEQUENT
Z50AK2 FRAME NO.; Z50A-270236 TO 387884

LEFT CRANKCASE COVER • ALTERNATOR



E14045211

A = Z50A
K1 = Z50AK1
K2 = Z50AK2

Ref. No.	BLOCK NO. DESCRIPTION	E-11	Z50A			ENGINE SERIAL NUMBER FROM TO	QTY REQ	PART NUMBER	HONDA CODE
			A	K1	K2				
1	COVER COMP., L. CRANKCASE	A	K1	K2	-----	1	11341-045-020	0174045
	COVER COMP., L. CRANKCASE	A	K1	K2	-----	1	11341-045-030	0201319
	COVER COMP., L. CRANKCASE	A	K1	K2	-----	1	11341-120-010	0271619
	COVER COMP., L. CRANKCASE	A	K1	K2	-----	1	11341-120-020	2295905
2	POINTS (HITACHI)	A	K1	K2	-----	1	30202-041-015	0175794
3	FELT, OIL (HITACHI)	A	K1	K2	-----	1	30205-041-005	0175463
4	CONDENSER COMP. (HITACHI)	A	K1	K2	-----	1	30250-041-005	0175471
5	COIL, PRIMARY	A	---	---	-----	1	30540-045-670	0175497
	COIL, PRIMARY (HITACHI)	---	K1	K2	-----	1	30540-041-0C5	0181958
	COIL, PRIMARY	---	---	K2	-----	1	30540-045-672	0218925
6	ALTERNATOR ASSY., A.C.	A	---	---	-----	1	31100-045-670	0175505
	ALTERNATOR ASSY., A.C.	A	K1	---	-----	1	31100-045-671	0181966
	ALTERNATOR ASSY., A.C.	A	K1	---	-----	1	31100-045-672	0203901
	ALTERNATOR ASSY., A.C.	---	---	K2	-----	1	31100-045-673	0218933
7	FLYWHEEL COMP. (HITACHI)	A	---	---	183602	1	31121-045-005	0188771
	FLYWHEEL COMP. (HITACHI)	A	---	---	183602	1	31121-045-015	0203570
		A	K1	K2	-----	1	31121-045-015	0203570
8	STATOR ASSY.	A	---	---	-----	1	31141-045-670	0175521
	STATOR ASSY.	---	K1	---	-----	1	31141-045-671	0181974
	STATOR ASSY.	---	---	K2	-----	1	31141-045-672	0218941
9	COIL, LIGHT	---	K1	---	-----	1	31631-045-671	0213231
	COIL, LIGHT	---	---	K2	-----	1	31631-045-672	0218958
10	GROMMET, CORD	A	---	---	-----	1	32971-045-670	0175539
	GROMMET, WIRE	---	K1	---	120088	1	32971-035-000	0070235
		---	---	K2	-----	1	32971-035-000	0070235
11	GROMMET, NEUTRAL SWITCH CORD	A	K1	K2	-----	1	32981-035-000	0070243
12	WASHER, MAGNET FIXING	A	K1	K2	-----	1	90426-035-000	0070920
13	OIL SEAL, 18.9X30X5 (ARAI)	A	K1	K2	-----	1	91202-694-682	3643368
	OIL SEAL, 18.9X30X5	A	K1	K2	-----	1	91202-5K4-722	3525177
	OIL SEAL, 18.9X30X5	A	K1	K2	-----	1	91202-035-000	0071027
	OIL SEAL, 18.9X30X5	A	K1	K2	-----	1	91202-035-003	1078229
	OIL SEAL, 18.9X30X5	A	K1	K2	-----	1	91202-035-005	1520360
14	OIL SEAL, 11.6X24X10	A	K1	K2	-----	1	91203-001-000	0004986

C6

CONTENTS

TITLE	PAGE	GRID
AIR CLEANER	66	D12
ALTERNATOR	36	C6
BATTERY	100	F5
BRAKE, RR, Z50AK2	88	E11
CAM CHAIN TENSIONER	12	B6
CAMSHAFT	10	B5
CARBURETOR SET	40	C8
CHANGE PEDAL	104	F7
CLUTCH	16	B8
CRANKCASE	14	B7
CRANKCASE COVER	22	B11
CRANKCASE COVER, L.	36	C6
CRANKSHAFT	6	B3
CUSHION, FR.	54	D6
CYLINDER	2	B1
CYLINDER HEAD	2	B1
FENDER, RR.	96	F3
FORK, FR.	50	D4
FRAME	66	D12
FUEL TANK	56	D7
GEAR SHIFT DRUM	32	C4
GEARSHIFT SPINDLE	30	C3
HANDLEBAR	44	D1
HEADLIGHT	92	F1
HEADLIGHT CASE	92	F1
KICK	104	F7
MUFFLER	70	E2
OIL PUMP	22	B11
SEAT	62	D10
STEP BAR	62	D10
TAILLIGHT	96	F3
TRANSMISSION	26	C1
VALVE	10	B5
WHEEL, FR.	74	E4
WHEEL, RR.	80	E7
WIRE HARNESS	100	F5

GRID

C6

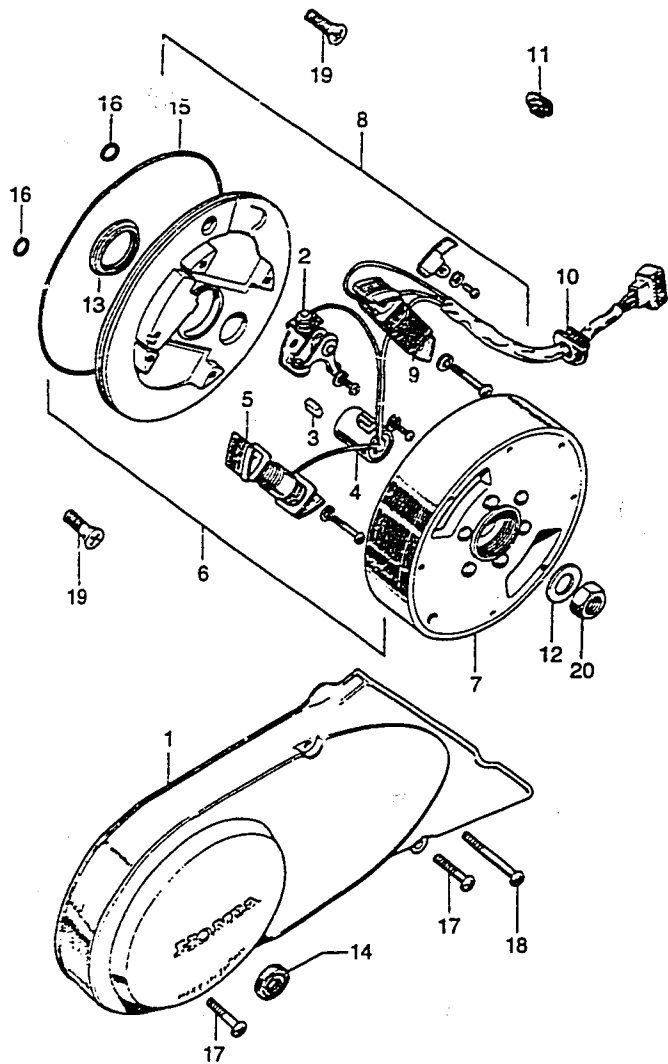
36 © AMERICAN HONDA MOTOR CO. LTD. 1984

Z50A ENGINE NO.; Z50AE-100001 TO SUBSEQUENT
Z50A FRAME NO.; Z50A-100001 TO 120087
Z50AK1 ENGINE NO.; Z50AE-120088 TO SUBSEQUENT
Z50AK1 FRAME NO.; Z50A-120088 TO 270235

Z50AK2 ENGINE NO.; Z50AE-270236 TO SUBSEQUENT
Z50AK2 FRAME NO.; Z50A-270236 TO 387884

© AMERICAN HONDA MOTOR CO. LTD. 1984 37

LEFT CRANKCASE COVER • ALTERNATOR



E14045211

A = Z50A
K1 = Z50AK1
K2 = Z50AK2

Ref. No.	BLOCK NO. DESCRIPTION	E-11	Z50A			ENGINE SERIAL NUMBER		QTY REQ	PART NUMBER	HONDA CODE
			A	K1	K2	FROM	TO			
			A	K1	K2	FROM	TO			
14	OIL SEAL, 11.6X24X10		A	K1	K2	-----	-----	1	91204-035-000	0185652
	OIL SEAL, 11.6X24X10		A	K1	K2	-----	-----	1	91204-035-003	0827980
	OIL SEAL, 11.6X24X10		A	K1	K2	-----	-----	1	91204-121-000	0435946
	OIL SEAL, 11.6X23X10 (ARAI)		A	K1	K2	-----	-----	1	91208-KB4-671	2043149
15	O-RING, 107X2		A	K1	K2	-----	-----	1	91301-035-000	0069542
	O-RING, 107X2		A	K1	K2	-----	-----	1	91301-035-003	1532357
16	O-RING, 6X1.7		A	K1	K2	-----	-----	2	91317-171-003	1078252
	O-RING, 6X1.7		A	K1	K2	-----	-----	2	91317-703-000	0071035
17	SCREW, PAN, 6X20		A	K1	K2	-----	-----	2	93500-06020	0057497
18	SCREW, PAN, 6X36		A	K1	K2	-----	-----	1	93500-06036	0079954
19	SCREW, FLAT, 6X16		A	K1	K2	-----	-----	2	93600-06016	0055798
	SCREW, FLAT, 6X16		A	K1	K2	-----	-----	2	93600-06016-0A	0805358
20	NUT, HEX., 10MM		A	K1	K2	-----	-----	1	94001-10000	0058057
	NUT, HEX., 10MM		A	K1	K2	-----	-----	1	94030-10000	0223024
	NUT, HEX., 10MM		A	K1	K2	-----	-----	1	94030-10000-0S	0416263

© AMERICAN HONDA MOTOR CO., LTD. 1994 39

CONTENTS

TITLE	PAGE	GRID
AIR CLEANER	66	D12
ALTERNATOR	36	C6
BATTERY	100	F5
BRAKE, RR, Z50AK2	88	E11
CAM CHAIN TENSIONER	12	B6
CAMSHAFT	10	B5
CARBURETOR SET	40	C8
CHANGE PEDAL	104	F7
CLUTCH	16	B8
CRANKCASE	14	B7
CRANKCASE COVER	22	B11
CRANKCASE COVER, L	36	C6
CRANKSHAFT	6	B3
CUSHION, FR.	54	D6
CYLINDER	2	B1
CYLINDER HEAD	2	B1
FENDER, RR.	96	F3
FORK, FR.	50	D4
FRAME	66	D12
FUEL TANK	56	D7
GEAR SHIFT DRUM	32	C4
GEARSHIFT SPINDLE	30	C3
HANDLEBAR	44	D1
HEADLIGHT	92	F1
HEADLIGHT CASE	92	F1
KICK	104	F7
MUFFLER	70	E2
OIL PUMP	22	B11
SEAT	62	D10
STEP BAR	62	D10
TAILLIGHT	96	F3
TRANSMISSION	26	C1
VALVE	10	B5
WHEEL, FR.	74	E4
WHEEL, RR.	80	E7
WIRE HARNESS	100	F5

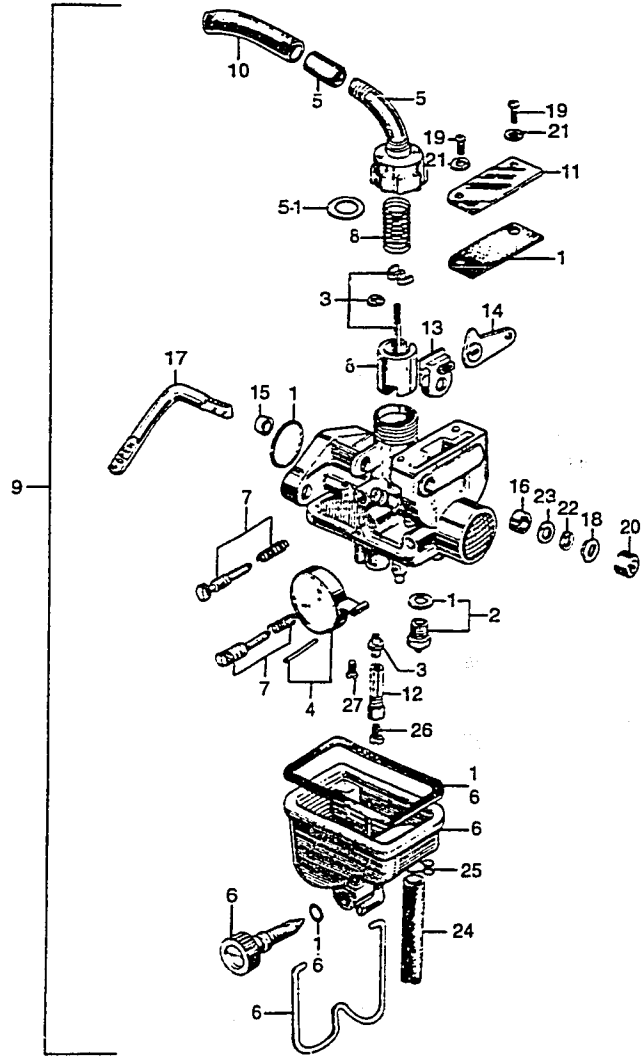
GRID

C7

Z50A ENGINE NO.; Z50AE-100001 TO SUBSEQUENT
Z50A FRAME NO.; Z50A-100001 TO 120087
Z50AK1 ENGINE NO.; Z50AE-120088 TO SUBSEQUENT
Z50AK1 FRAME NO.; Z50A-120088 TO 270235

Z50AK2 ENGINE NO.; Z50AE-270236 TO SUBSEQUENT
Z50AK2 FRAME NO.; Z50A-270236 TO 387884

CARBURETOR SET



E14045212

A = Z50A
K1 = Z50AK1
K2 = Z50AK2

Ref. No.	BLOCK NO. DESCRIPTION	E-12	Z50A			ENGINE SERIAL NUMBER FROM TO	QTY REQ	PART NUMBER	HONDA CODE
			A	K1	K2				
1	GASKET SET		A	K1	K2		1	16010-045-670	0309237
2	VALVE SET, FLOAT		A	K1	K2		1	16011-045-004	0304923
3	NEEDLE SET, JET		A	K1	K2		1	16012-045-670	0309666
4	FLOAT SET		A	K1	K2		1	16013-045-004	0310094
5	TOP SET		A	K1	K2		1	16014-045-004	0310250
6	CHAMBER SET, FLOAT		A	K1	K2		1	16015-045-670	0310458
7	SCREW SET A		A	K1	K2		1	16016-045-014	0310722
8	VALVE SET, THROTTLE		A	K1	K2		1	16022-045-600	0310979
9	CARBURETOR ASSY.		A	K1		255950	1	16100-045-670	0176073
	CARBURETOR ASSY.		A	K1		255950	1	16100-045-671	0258822
				K1		255951	1	16100-045-671	0258822
					K2		1	16100-045-671	0258822
10	CAP, RUBBER		A	K1		255950	1	16118-045-770	0251249
				K1		255951	1	16118-045-770	0251249
					K2		1	16118-045-770	0251249
	CAP, RUBBER		A	K1		255950	1	16194-045-004	0176040
11	COVER, CHOKE		A	K1	K2		1	16123-049-004	0176115
12	HOLDER, NEEDLE JET		A			108295	1	16139-045-004	0176156
	HOLDER, NEEDLE JET		A			108296	1	16139-045-014	0228007
				K1	K2		1	16139-045-014	0228007
13	VALVE, CHOKE		A	K1	K2		1	16142-049-004	0207977
14	LINK, CHOKE		A	K1	K2		1	16143-050-004	0175180
15	SEAL		A	K1	K2		1	16178-049-004	0175984
16	SEAT, SEALING		A	K1	K2		1	16179-049-004	0175992
17	LEVER, CHOKE		A	K1	K2		1	16192-050-014	0240333
18	WASHER, STOPPER		A	K1	K2		1	16197-049-004	0176057
19	SCREW, PAN, 3X8		A			108295	2	93500-03008	0056705
	SCREW, PAN, 3X8		A			108296	2	93500-03008-0A	0198176
				K1	K2		2	93500-03008-0A	0198176
20	NUT, HEX., 5MM		A			108295	1	94001-05000	0057992
	NUT, HEX., 5MM		A			108295	1	94001-05000-0S	0156885
			A	K1	K2	108296	1	94001-05000-0S	0156885
21	WASHER, SPRING, 3MM		A	K1	K2		2	94111-03000	0058941
22	WASHER, SPRING, 5MM		A	K1	K2		1	94111-05000	0058966
23	WASHER, PLAIN, 5MM		A	K1	K2		1	94101-05000	0059055

C8

CONTENTS

TITLE	PAGE	GRID
AIR CLEANER	66	D12
ALTERNATOR	36	C6
BATTERY	100	F5
BRAKE, RR, Z50AK2	88	E11
CAM CHAIN TENSIONER	12	B6
CAMSHAFT	10	B5
CARBURETOR SET	40	C8
CHANGE PEDAL	104	F7
CLUTCH	16	B8
CRANKCASE	14	B7
CRANKCASE COVER	22	B11
CRANKCASE COVER, L	36	C6
CRANKSHAFT	6	B3
CUSHION, FR	54	D6
CYLINDER	2	B1
CYLINDER HEAD	2	B1
FENDER, RR	96	F3
FORK, FR	50	D4
FRAME	66	D12
FUEL TANK	56	D7
GEAR SHIFT DRUM	32	C4
GEARSHIFT SPINDLE	30	C3
HANDLEBAR	44	D1
HEADLIGHT	92	F1
HEADLIGHT CASE	92	F1
KICK	104	F7
MUFFLER	70	E2
OIL PUMP	22	B11
SEAT	62	D10
STEP BAR	62	D10
TAILLIGHT	96	F3
TRANSMISSION	26	C1
VALVE	10	B5
WHEEL, FR	74	E4
WHEEL, RR	80	E7
WIRE HARNESS	100	F5

GRID

C8

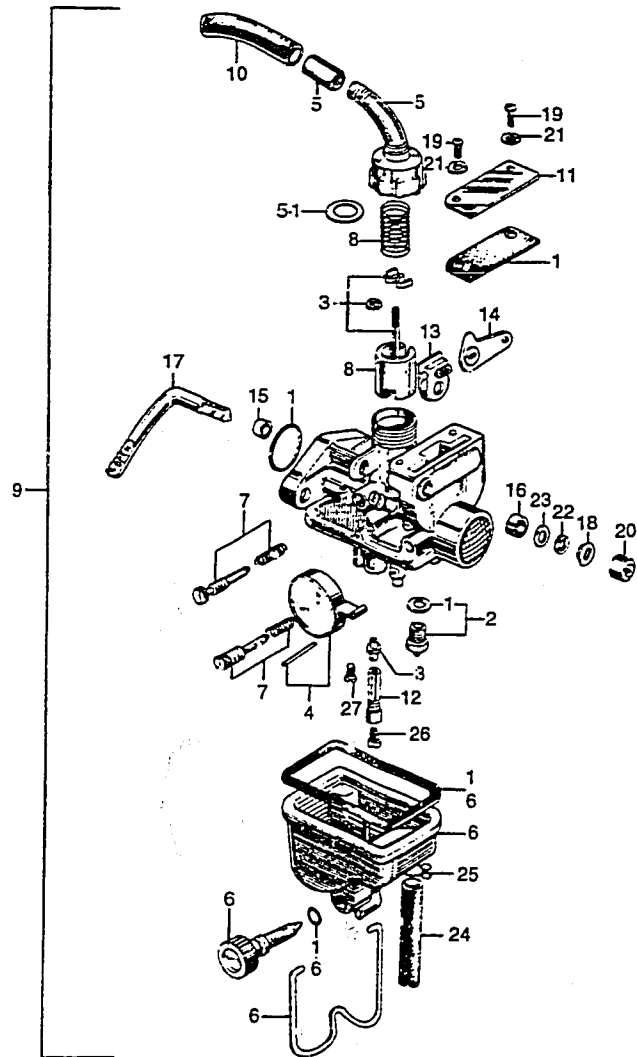
AMERICAN HONDA MOTOR CO., LTD. 1994 41

40 AMERICAN HONDA MOTOR CO., LTD. 1994

Z50A ENGINE NO.; Z50AE-100001 TO SUBSEQUENT
Z50A FRAME NO.; Z50A-100001 TO 120087
Z50AK1 ENGINE NO.; Z50AE-120088 TO SUBSEQUENT
Z50AK1 FRAME NO.; Z50A-120088 TO 270235

Z50AK2 ENGINE NO.; Z50AE-270236 TO SUBSEQUENT
Z50AK2 FRAME NO.; Z50A-270236 TO 387884

CARBURETOR SET



E14045212

A = Z50A
K1 = Z50AK1
K2 = Z50AK2

Ref. No.	BLOCK NO. DESCRIPTION	E-12	Z50A			ENGINE SERIAL NUMBER FROM TO	QTY REQ	PART NUMBER	HONDA CODE
			A	K1	K2				
24	TUBE, 3.5X200 (BULK HOSE: 95001-35003-40M)		K1		255951	-----	1	95001-35200-40	0371948
				K2	-----	-----	1	95001-35200-40	0371948
25	CLIP, TUBE, B7		K1	K2	-----	-----	1	95002-02070	0250639
			K1		255951	-----	1	95002-02070	0250639
26	JET, MAIN (=50)	A			108295	-----	1	99101-05004	1062983
	JET, MAIN (=50)	A			108295	-----	1	99114-076-0500	0228080
			K1	K2	-----	-----	1	99114-076-0500	0228080
27	JET, MAIN (=50)	A			108295	-----	1	99124-05004	0175602
	JET, SLOW (=38)	A	K1	K2	-----	-----	1	99151-03804	0821751
			K1	K2	-----	-----	1	99153-03804	0175851

CONTENTS

TITLE	PAGE	GRID
AIR CLEANER	66	D12
ALTERNATOR	36	C6
BATTERY	100	F5
BRAKE, RR, Z50AK2	88	E11
CAM CHAIN TENSIONER	12	B6
CAMSHAFT	10	B5
CARBURETOR SET	40	C8
CHANGE PEDAL	104	F7
CLUTCH	16	B8
CRANKCASE	14	B7
CRANKCASE COVER	22	B11
CRANKCASE COVER, L	36	C6
CRANKSHAFT	6	B3
CUSHION, FR	54	D6
CYLINDER	2	B1
CYLINDER HEAD	2	B1
FENDER, RR	96	F3
FORK, FR	50	D4
FRAME	66	D12
FUEL TANK	56	D7
GEAR SHIFT DRUM	32	C4
GEARSHIFT SPINDLE	30	C3
HANDLEBAR	44	D1
HEADLIGHT	92	F1
HEADLIGHT CASE	92	F1
KICK	104	F7
MUFFLER	70	E2
OIL PUMP	22	B11
SEAT	62	D10
STEP BAR	62	D10
TAILLIGHT	96	F3
TRANSMISSION	26	C1
VALVE	10	B5
WHEEL, FR	74	E4
WHEEL, RR	80	E7
WIRE HARNESS	100	F5

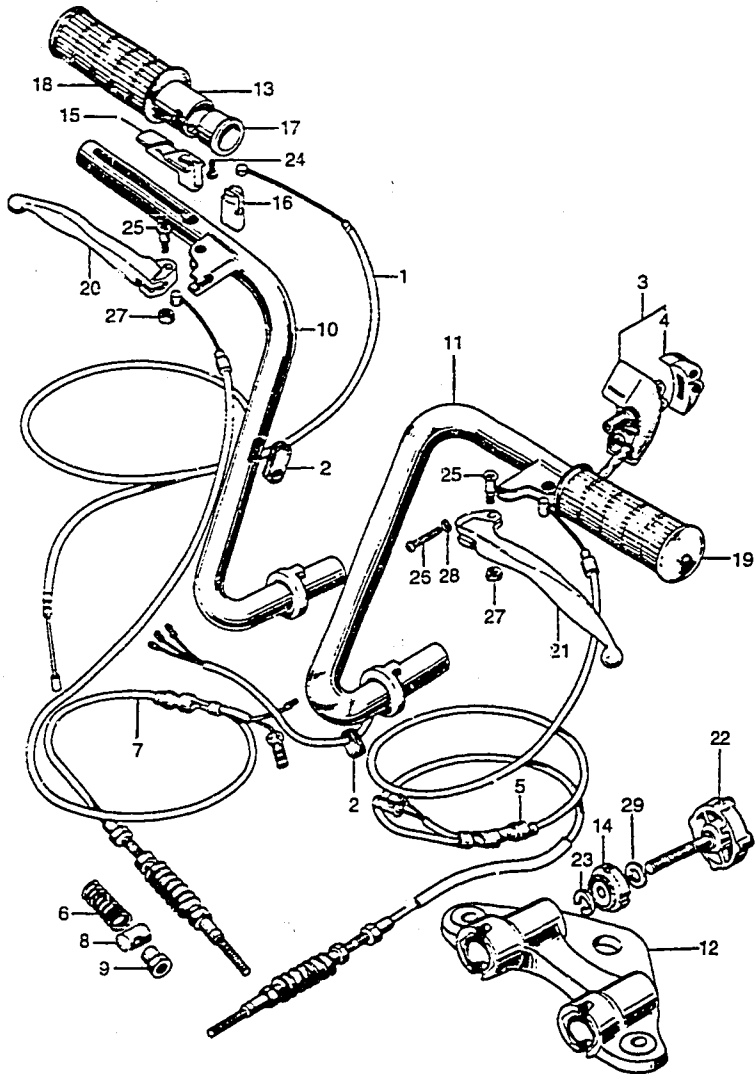
GRID

C9

Z50A ENGINE NO.; Z50AE-100001 TO SUBSEQUENT
Z50A FRAME NO.; Z50A-100001 TO 120087
Z50AK1 ENGINE NO.; Z50AE-120088 TO SUBSEQUENT
Z50AK1 FRAME NO.; Z50A-120088 TO 270235

Z50AK2 ENGINE NO.; Z50AE-270236 TO SUBSEQUENT
Z50AK2 FRAME NO.; Z50A-270236 TO 387884

HANDLEBAR



F14045201

Ref. No.	BLOCK NO. DESCRIPTION	Z50A			FRAME SERIAL NUMBER	QTY REQ	PART NUMBER	HONDA CODE
		A	K 1	K 2				
		A	K1	K2				
1	CABLE COMP., THROTTLE	A	K1		189957	1	17910-045-670	0174490
	CABLE COMP., THROTTLE	A	K1		189957	1	17910-045-671	0204008
			K1	K2	189958	1	17910-045-671	0204008
2	GROMMET, THROTTLE CABLE	A				1	17911-023-000	C018804
			K1	K2		3	17911-023-000	0018804
3	SWITCH ASSY., LIGHTING DIMMER		K1	K2		1	35250-045-671	0182147
4	KNOB, DIMMER SWITCH		K1	K2		1	35316-259-300	0045302
5	CABLE COMP., RR. BRAKE	A				1	43450-045-670	0175414
	CABLE COMP., RR. BRAKE		K1			1	43450-045-672	0181990
	CABLE COMP., RR. BRAKE		K1			1	43450-045-673	0258793
6	SPRING, FR. BRAKE ARM	A				2	45437-001-000	0010207
			K1	K2		1	45437-001-000	0010207
7	CABLE COMP., FR. BRAKE	A				1	45450-045-670	0175224
	CABLE COMP., FR. BRAKE		K1			1	45450-045-671	0182006
			K1	K2	336883	1	45450-045-671	0182006
	CABLE COMP., FR. BRAKE		K1	K2		1	45450-045-672	0252759
			K1	K2	336883	1	45450-045-672	0252759
8	JOINT, BRAKE ARM	A				2	45461-001-000	0010199
			K1	K2	382794	1	45461-001-000	0010199
	JOINT A, BRAKE ARM	A				2	95015-31000	0271064
			K1	K2	382794	1	95015-31000	0271064
			K2		382795	1	95015-31000	0271064
	JOINT A, BRAKE ARM	A				2	95015-31001	0433961
			K1	K2	382794	1	95015-31001	0433961
			K2		382795	1	95015-31001	0433961
9	NUT, RR. BRAKE ADJUSTING	A				2	45462-028-000	0118836
			K1	K2	382794	1	45462-028-000	0118836
	NUT A, BRAKE ROD ADJUSTING	A				2	95015-41000	0301499
			K1	K2	382794	1	95015-41000	0301499
			K2		382795	1	95015-41000	0301499
10	HANDLEBAR, R.	A	K1	K2		1	53110-045-671	0175026
11	HANDLEBAR, L.	A				1	53120-045-671	0175034
	HANDLEBAR, L.	A	K1	K2		1	53120-045-672	0182014
12	HOLDER, HANDLEBAR	A				1	53131-045-670	0175042
			K1	K2	398417	1	53131-045-670	0175042

CONTENTS

TITLE	PAGE	GRID
AIR CLEANER	66	D12
ALTERNATOR	36	C6
BATTERY	100	F5
BRAKE, RR Z50AK2	88	E11
CAM CHAIN TENSIONER	12	B6
CAMSHAFT	10	B5
CARBURETOR SET	40	C8
CHANGE PEDAL	104	F7
CLUTCH	16	B8
CRANKCASE	14	B7
CRANKCASE COVER	22	B11
CRANKCASE COVER, L	36	C6
CRANKSHAFT	6	B3
CUSHION, FR.	54	D6
CYLINDER	2	B1
CYLINDER HEAD	2	B1
FENDER, FR.	96	F3
FORK, FR.	50	D4
FRAME	66	D12
FUEL TANK	56	D7
GEAR SHIFT DRUM	32	C4
GEARSHIFT SPINDLE	30	C3
HANDLEBAR	44	D1
HEADLIGHT	92	F1
HEADLIGHT CASE	92	F1
KICK	104	F7
MUFFLER	70	E2
OIL PUMP	22	B11
SEAT	62	D10
STEP BAR	62	D10
TAILLIGHT	96	F3
TRANSMISSION	26	C1
VALVE	10	B5
WHEEL, FR.	74	E4
WHEEL, RR.	80	E7
WIRE HARNESS	100	F5

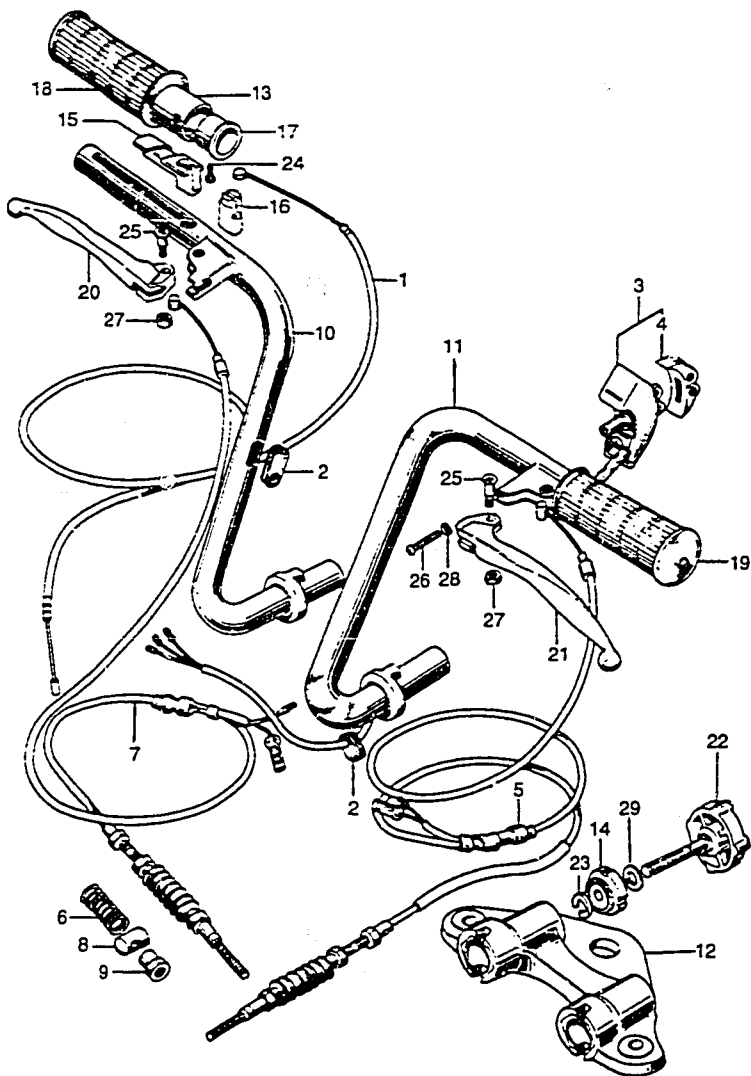
GRID **D1**

44 © AMERICAN HONDA MOTOR CO., LTD. 1984
 Z50A ENGINE NO.; Z50AE-100001 TO SUBSEQUENT
 Z50A FRAME NO.; Z50A-100001 TO 120087
 Z50AK1 ENGINE NO.; Z50AE-120088 TO SUBSEQUENT
 Z50AK1 FRAME NO.; Z50A-120088 270235

Z50AK2 ENGINE NO.; Z50AE-270236 TO SUBSEQUENT
 Z50AK2 FRAME NO.; Z50A-270236 TO 387884

© AMERICAN HONDA MOTOR CO., LTD. 1984 45

HANDLEBAR



F14045201

Ref.	BLOCK NO.	F-1	Z50A			FRAME SERIAL NUMBER	QTY	REO	PART NUMBER	HONDA CODE
			A	K 1	K 2					
			A	K1	K2					
12	HOLDER, HANDLEBAR		A				1	53131-045-671	0381962	
				K1	K2	398417	1	53131-045-671	0381962	
					K2	398418	1	53131-045-671	0381962	
	HOLDER, HANDLEBAR		A	K1	K2		1	53131-098-670	0200261	
					K2	398417	1	53131-098-670	0200261	
					K2	398418	1	53131-098-670	0200261	
13	PIPE, THROTTLE GRIP		A				1	53141-044-000	0127175	
	PIPE, THROTTLE GRIP		A	K1	K2		1	53141-098-000	0203216	
14	NUT, HANDLE HOLDER		A	K1	K2		2	53143-045-000	0175059	
15	HINGE, THROTTLE CABLE		A	K1	K2		1	53161-044-000	0127183	
16	HOLDER, THROTTLE CABLE OUTER		A			189957	1	53162-045-670	0176362	
	HOLDER, THROTTLE CABLE OUTER		A			189958	1	53162-098-000	0201640	
				K1	K2		1	53162-098-000	0201640	
	HOLDER, THROTTLE CABLE OUTER		A			189958	1	53162-098-010	0263889	
				K1	K2		1	53162-098-010	0263889	
17	STOPPER, THROTTLE GRIP		A	K1	K2		1	53163-044-000	0127209	
18	GRIP, R. HANDLE (IVORY WHITE)		A				1	53165-063-000XL	0169086	
	GRIP, R. HANDLE			K1	K2		1	53165-044-010	0127217	
				K1		120088	1	53165-044-010	0127217	
	GRIP, R. HANDLE			K1	K2		1	95011-12100	2938181	
				K1		120088	1	95011-12100	2938181	
19	GRIP, L. HANDLE (IVORY WHITE)		A				1	53166-063-000XL	0169094	
	GRIP, L. HANDLE			K1	K2		1	53166-044-010	0127225	
	GRIP B, L. HANDLEBAR			K1	K2		1	95011-12200	0336032	
20	LEVER, R. HANDLEBAR (IVORY WHITE)		A				1	53175-063-000XL	0169102	
	LEVER, R. HANDLEBAR		A				1	53175-081-306	3919073	
	LEVER, R. HANDLEBAR			K1		254498	1	53175-044-010	0127233	
	LEVER, R. HANDLEBAR			K1	K2		1	53175-045-670	0209825	
21	LEVER, R. HANDLEBAR		A				1	53175-081-306	3919073	
	LEVER, L. HANDLEBAR (IVORY WHITE)		A				1	53178-063-000XL	0168781	
	LEVER, L. HANDLEBAR			K1		254498	1	53178-044-010	0127241	
	LEVER, L. HANDLEBAR			K1	K2		1	53178-045-670	0209833	

CONTENTS

TITLE	PAGE	GRID
AIR CLEANER	66	D12
ALTERNATOR	36	C6
BATTERY	100	F5
BRAKE, RR Z50AK2	88	E11
CAM CHAIN TENSIONER	12	B6
CAMSHAFT	10	B5
CARBURETOR SET	40	C8
CHANGE PEDAL	104	F7
CLUTCH	16	B8
CRANKCASE	14	B7
CRANKCASE COVER	22	B11
CRANKCASE COVER, L	36	C6
CRANKSHAFT	6	B3
CUSHION, FR	54	D6
CYLINDER	2	B1
CYLINDER HEAD	2	B1
FENDER, RR	96	F3
FORK, FR	50	D4
FRAME	66	D12
FUEL TANK	56	D7
GEAR SHIFT DRUM	32	C4
GEARSHIFT SPINDLE	30	C3
HANDLEBAR	44	D1
HEADLIGHT	92	F1
HEADLIGHT CASE	92	F1
KICK	104	F7
MUFFLER	70	E2
OIL PUMP	22	B11
SEAT	62	D10
STEP BAR	62	D10
TAILLIGHT	96	F3
TRANSMISSION	26	C1
VALVE	10	B5
WHEEL, FR	74	E4
WHEEL, RR	80	E7
WIRE HARNESS	100	F5

GRID

D2

© AMERICAN HONDA MOTOR CO. LTD. 1994 47

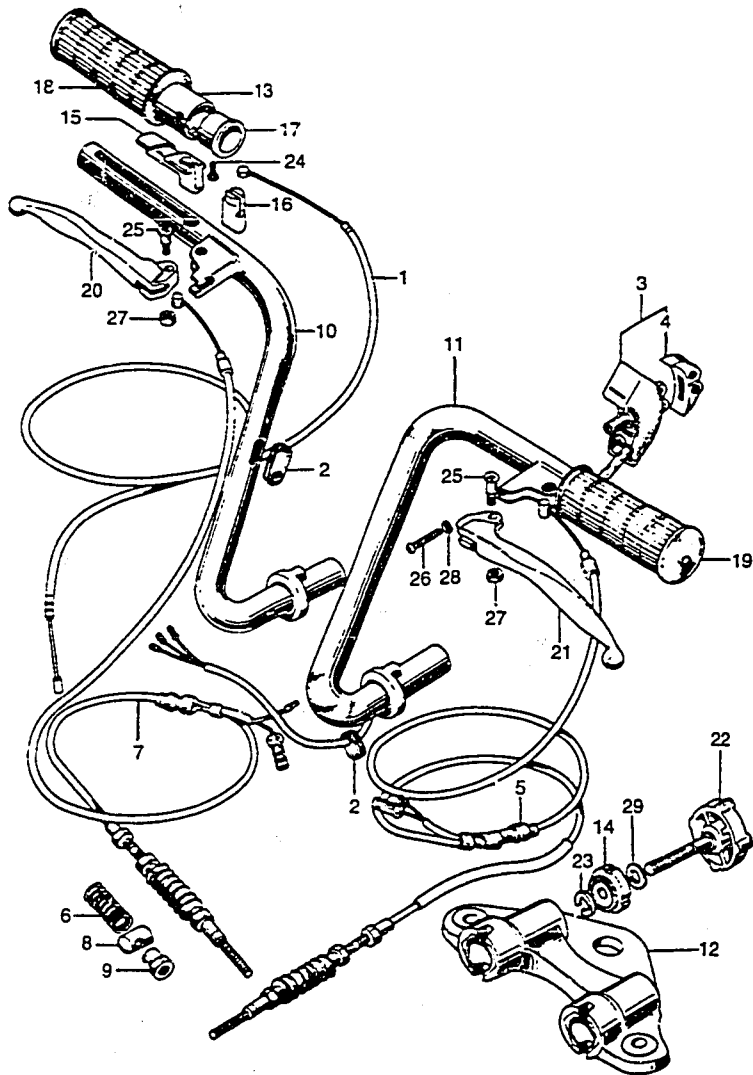
46 AMERICAN HONDA MOTOR CO. LTD. 1994

Z50A ENGINE NO.; Z50AE-100001 TO SUBSEQUENT
 Z50A FRAME NO.; Z50A-100001 TO 120087
 Z50AK1 ENGINE NO.; Z50AE-120088 TO SUBSEQUENT
 Z50AK1 FRAME NO.; Z50A-120088 TO 270235

Z50AK2 ENGINE NO.; Z50AE-270236 TO SUBSEQUENT
 Z50AK2 FRAME NO.; Z50A-270236 TO 387884

D2

HANDLEBAR



F14045201

A = Z50A
K1 = Z50AK1
K2 = Z50AK2

Ref. No.	BLOCK NO. DESCRIPTION	F-1	Z50A			FRAME SERIAL NUMBER	QTY REQ	PART NUMBER	HONDA CODE	
			A	K 1	K 2					
			A	K1	K2					FROM
22	22	NOB, HANDLE HOLDER	A	---	---	105766	2	53741-045-020	0175083	
		NOB, HANDLE HOLDER	A	---	---	105766	2	53741-045-030	0209718	
			A	K1	---	105767	220300	2	53741-045-030	0209718
			---	K1	K2	---	---	2	53741-045-030	0209718
			---	K1	---	220301	---	2	53741-045-030	0209718
		NOB, HANDLE HOLDER	A	---	---	105766	2	53741-045-304	0197608	
			A	K1	---	105767	220300	2	53741-045-304	0197608
23	23	RING, KNOB STOPPER	A	K1	K2	---	2	53746-045-010	0175091	
24	24	SCREW, THROTTLE GRIP MOUNT	A	K1	K2	---	1	90101-063-000	0169128	
25	25	BOLT, HANDLE LEVER PIVOT	A	K1	K2	---	2	90114-063-000	0169144	
26	26	SCREW, PAN, 3X12	---	K1	K2	---	1	93500-03012-0A	0182154	
27	27	NUT, HEX., 5MM	A	K1	K2	---	2	94001-05000-0S	0156885	
28	28	WASHER, SPRING, 3MM	---	K1	K2	---	1	94111-03000	0058941	
29	29	WASHER, SPRING, 8MM	A	---	---	105767	2	94111-08000	0058982	
			---	K1	K2	---	2	94111-08000	0058982	

CONTENTS

TITLE	PAGE	GRID
AIR CLEANER	66	D12
ALTERNATOR	36	C6
BATTERY	100	F3
BRAKE, RR, Z50AK2	88	E11
CAM CHAIN TENSIONER	12	B6
CAMSHAFT	10	B5
CARBURETOR SET	40	C8
CHANGE PEDAL	104	F7
CLUTCH	16	B8
CRANKCASE	14	B7
CRANKCASE COVER	22	B11
CRANKCASE COVER, L	36	C6
CRANKSHAFT	6	B3
CUSHION, FR	54	D6
CYLINDER	2	B1
CYLINDER HEAD	2	B1
FENDER, RR	96	F3
FORK, FR	50	D4
FRAME	66	D12
FUEL TANK	56	D7
GEAR SHIFT DRUM	32	C4
GEARSHIFT SPINDLE	30	C3
HANDLEBAR	44	D1
HEADLIGHT	92	F1
HEADLIGHT CASE	92	F1
KICK	104	F7
MUFFLER	70	E2
OIL PUMP	22	B11
SEAT	62	D10
STEP BAR	62	D10
TAILLIGHT	96	F3
TRANSMISSION	26	C1
VALVE	10	B5
WHEEL, FR	74	E4
WHEEL, RR	80	E7
WIRE HARNESS	100	F5

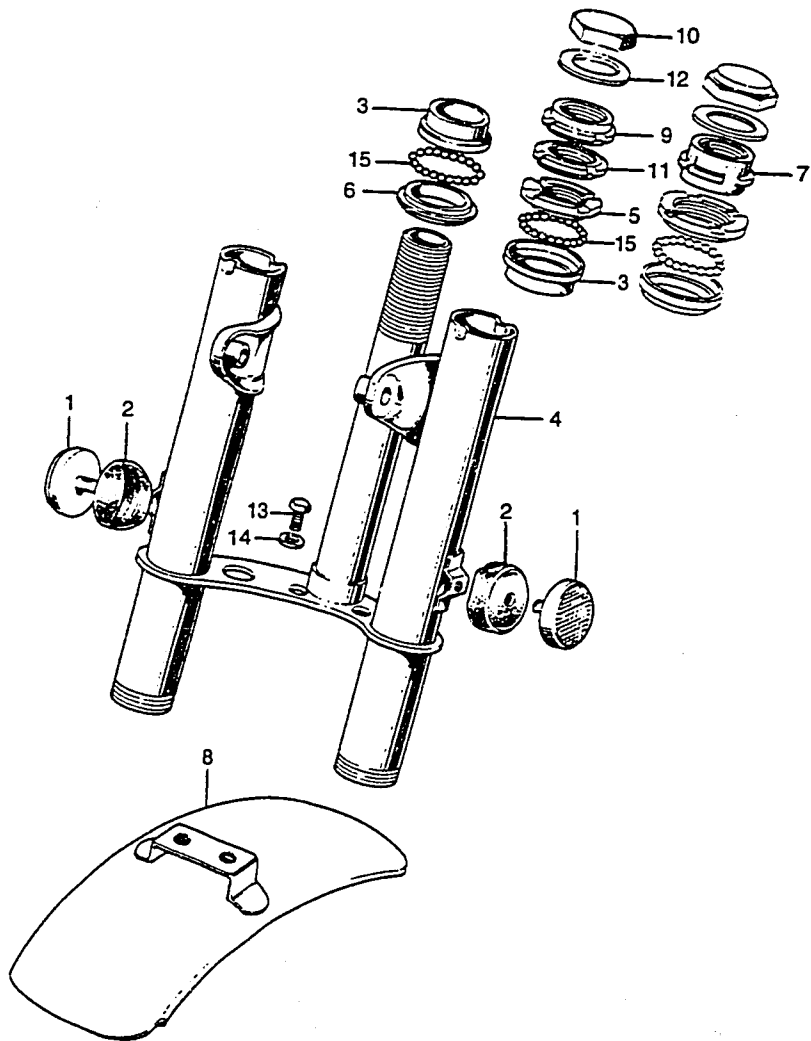
GRID

D3

Z50A ENGINE NO.; Z50AE-100001 TO SUBSEQUENT
Z50A FRAME NO.; Z50A-100001 TO 120087
Z50AK1 ENGINE NO.; Z50AE-120088 TO SUBSEQUENT
Z50AK1 FRAME NO.; Z50A-120088 TO 270235

Z50AK2 ENGINE NO.; Z50AE-270236 TO SUBSEQUENT
Z50AK2 FRAME NO.; Z50A-270236 TO 387884

FRONT FORK



F14045202

Ref. No.	BLOCK NO. DESCRIPTION	Z50A			FRAME SERIAL NUMBER	QTY REQ	PART NUMBER	HONDA CODE
		A	K 1	K 2				
		F-2		FROM				
1	REFLECTOR, FR.		K1	K2		2	33741-045-671	0182162
	REFLECTOR, FR. REFLEX		K1	K2		2	33741-286-670	0192807
	REFLECTOR		K1	K2		2	33741-315-000	0250902
2	BASE, FR. REFLEX REFLECTOR		K1	K2		2	33744-045-670	0182170
3	RACE, STEERING TOP BALL	A				2	50301-044-020	0126979
	RACE, STEERING TOP BALL	A	K1	K2		2	50301-045-670	0218982
4	FORK COMP., FR. (BRIGHT YELLOW)	A				1	51510-045-670XB	0175299
	FORK COMP., FR.	A				1	51510-045-670Z	0175281
	FORK COMP., FR. (MEXICAN YELLOW)		K1	K2		1	51510-045-671BY	0218693
	FORK COMP., FR. (CANDY RUBY RED)		K1	K2		1	51510-045-671CM	0218677
	FORK COMP., FR. (CANDY SAPPHIRE BLUE)		K1	K2		1	51510-045-671CN	0218685
	FORK COMP., FR.		K1	K2		1	51510-045-671Z	0182022
5	RACE, STEERING TOP CORN	A	K1	K2		1	53211-045-010	0175067
6	RACE, STEERING LOWER CONE	A	K1	K2		1	53212-045-020	0175075
7	THREAD COMP., STEERING HEAD TOP		K1		174448	1	53220-045-670	0208215
				K2		1	53220-045-670	0208215
8	FENDER, FR. (CLOUD SILVER)	A				1	61100-045-670AU	0175109
	FENDER, FR.		K1			1	61100-045-670XW	0182030
	FENDER, FR.			K2		1	61100-045-671XW	0218990
9	NUT A, STEERING STEM	A	K1		174447	1	90303-045-000	0175000
10	NUT, STEERING STEM	A	K1	K2		1	90304-011-000	0012237
	NUT, STEERING STEM	A	K1	K2		1	90304-159-000	0953331
	NUT A1, STEERING STEM	A	K1	K2		1	95020-11100	0361824
11	NUT B, STEERING STEM	A	K1		174447	1	90304-045-010	0175018
12	WASHER, STEERING STEM	A	K1	K2		1	90503-011-000	0012328
	WASHER, STEERING STEM	A	K1	K2		1	90503-051-870	0358028
13	BOLT, HEX., 6X12	A	K1	K2		2	92000-06012	0054197
	BOLT, HEX., 6X12	A	K1	K2		2	92101-06012	2738821
	BOLT, HEX., 6X12	A	K1	K2		2	92101-06012-0A	3591500

CONTENTS

TITLE	PAGE	GRID
AIR CLEANER	66	D12
ALTERNATOR	38	C6
BATTERY	100	F5
BRAKE, RR Z50AK2	88	E11
CAM CHAIN TENSIONER	12	B6
CAMSHAFT	10	B5
CARBURETOR SET	40	C8
CHANGE PEDAL	104	F7
CLUTCH	16	B8
CRANKCASE	14	B7
CRANKCASE COVER	22	B11
CRANKCASE COVER, L	36	C6
CRANKSHAFT	6	B3
CUSHION, FR.	54	D6
CYLINDER	2	B1
CYLINDER HEAD	2	B1
FENDER, FR.	96	F3
FORK, FR.	50	D4
FRAME	66	D12
FUEL TANK	56	D7
GEAR SHIFT DRUM	32	C4
GEARSHIFT SPINDLE	30	C3
HANDLEBAR	44	D1
HEADLIGHT	92	F1
HEADLIGHT CASE	92	F1
KICK	104	F7
MUFFLER	70	E2
OIL PUMP	22	B11
SEAT	62	D10
STEP BAR	62	D10
TAILLIGHT	96	F3
TRANSMISSION	26	C1
VALVE	10	B5
WHEEL, FR.	74	E4
WHEEL, RR.	80	E7
WIRE HARNESS	100	F5

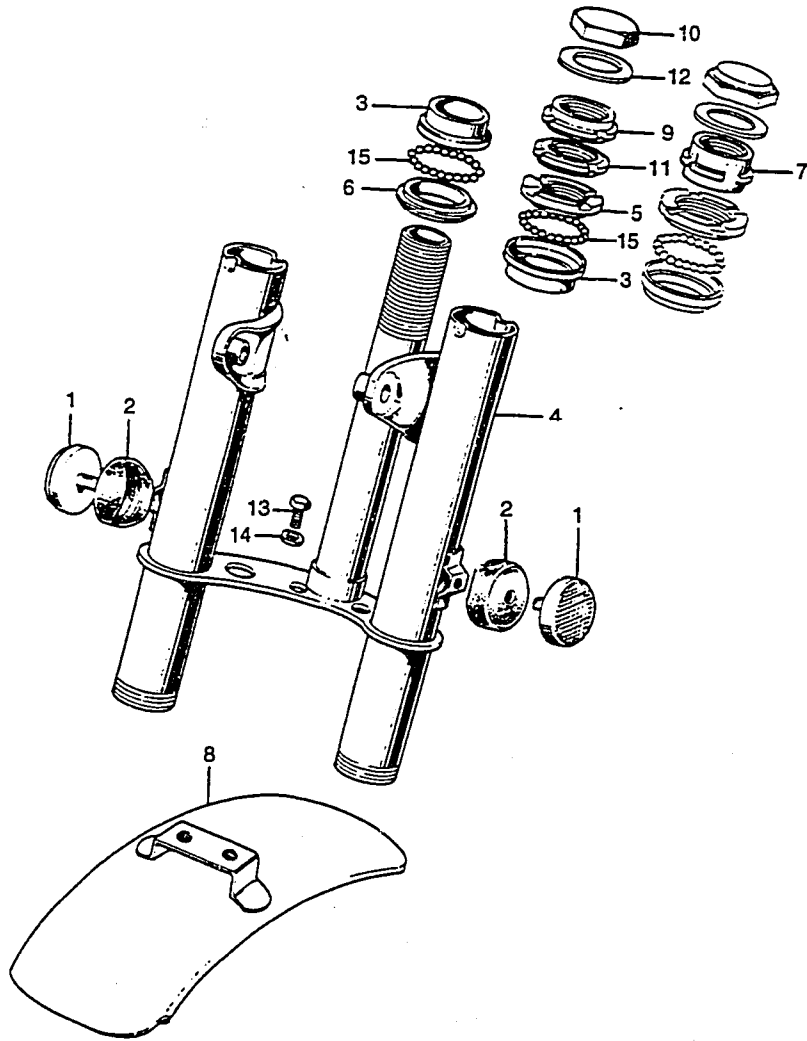
GRID

D4

Z50A ENGINE NO.; Z50AE-100001 TO SUBSEQUENT
 Z50A FRAME NO.; Z50A-100001 TO 120087
 Z50AK1 ENGINE NO.; Z50AE-120088 TO SUBSEQUENT
 Z50AK1 FRAME NO.; Z50A-120088 TO 270235

Z50AK2 ENGINE NO.; Z50AE-270236 TO SUBSEQUENT
 Z50AK2 FRAME NO.; Z50A-270236 TO 387884

FRONT FORK



F14045202

A = Z50A
K1 = Z50AK1
K2 = Z50AK2

Ref. No.	BLOCK NO. DESCRIPTION	F-2	Z50A			FRAME SERIAL NUMBER		QTY REQ	PART NUMBER	HONDA CODE
			A	K1	K2	FROM	TO			
			A	K1	K2					
	14 WASHER, PLAIN, 6MM		A	K1	K2	-----	-----	2	94101-06000	0059071
	WASHER, PLAIN, 6MM		A	K1	K2	-----	-----	2	94101-06080	3136074
	WASHER, PLAIN, 6MM		A	K1	K2	-----	-----	2	94101-06800	0345900
	15 BALL, STEEL, #6 (3/16)		A	K1	K2	-----	-----	40	96211-06000	0058925

CONTENTS

TITLE	PAGE	GRID
AIR CLEANER	66	D12
ALTERNATOR	38	C6
BATTERY	100	F5
BRAKE, RR, Z50AK2	88	E11
CAM CHAIN TENSIONER	12	B6
CAMSHAFT	10	B5
CARBURETOR SET	40	C8
CHANGE PEDAL	104	F7
CLUTCH	16	B8
CRANKCASE	14	B7
CRANKCASE COVER	22	B11
CRANKCASE COVER, L	36	C6
CRANKSHAFT	6	B3
CUSHION, FR	54	D6
CYLINDER	2	B1
CYLINDER HEAD	2	B1
FENDER, RR	96	F3
FORK, FR	50	D4
FRAME	66	D12
FUEL TANK	56	D7
GEAR SHIFT DRUM	32	C4
GEARSHIFT SPINDLE	30	C3
HANDLEBAR	44	D1
HEADLIGHT	92	F1
HEADLIGHT CASE	92	F1
KICK	104	F7
MUFFLER	70	E2
OIL PUMP	22	B11
SEAT	62	D10
STEP BAR	96	F3
TAILLIGHT	96	F3
TRANSMISSION	26	C1
VALVE	10	B5
WHEEL, FR	74	E4
WHEEL, RR	80	E7
WIRE HARNESS	100	F5

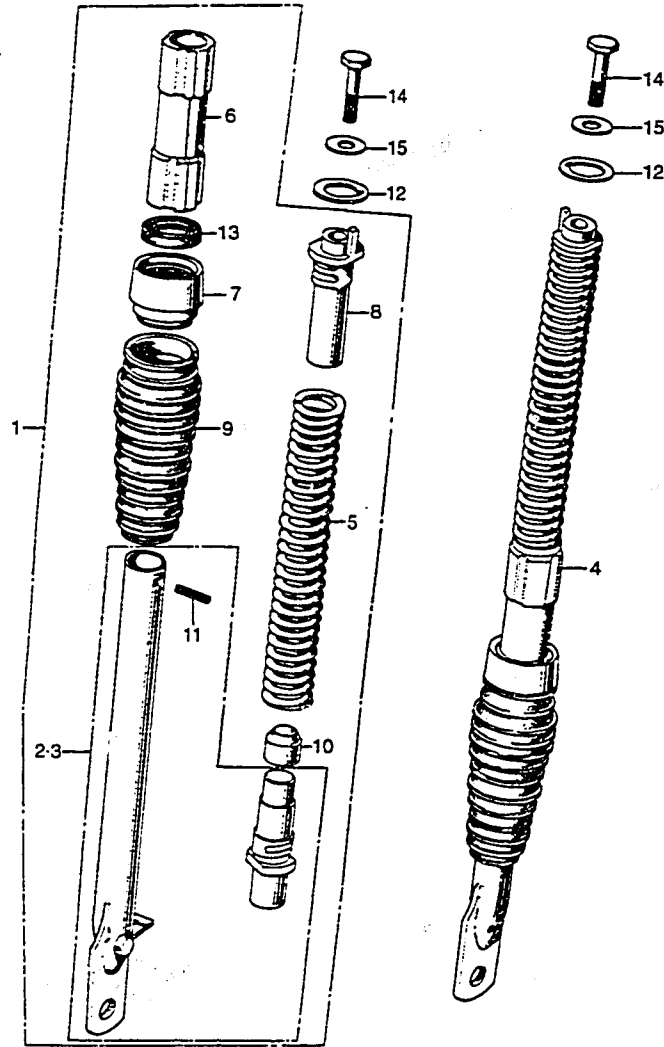
GRID

D5

Z50A ENGINE NO.; Z50AE-100001 TO SUBSEQUENT
Z50A FRAME NO.; Z50A-100001 TO 120087
Z50AK1 ENGINE NO.; Z50AE-120088 TO SUBSEQUENT
Z50AK1 FRAME NO.; Z50A-120088 TO 270235

Z50AK2 ENGINE NO.; Z50AE-270236 TO SUBSEQUENT
Z50AK2 FRAME NO.; Z50A-270236 TO 387884

FRONT CUSHION



F14045203

A = Z50A
K1 = Z50AK1
K2 = Z50AK2

Ref. No.	BLOCK NO. DESCRIPTION	F-3	Z50A			FRAME SERIAL NUMBER		QTY	REO	PART NUMBER	HONDA CODE
			A	K1	K2	FROM	TO				
1	FORK ASSY., R. FR.		A	K1	K2			1	51400-045-670	0175265	
2	PIPE, R. FR. FORK SLIDE HALF		A	K1	K2			1	51450-045-670	0202218	
3	PIPE, L. FR. CUSHION SLIDE HALF		A	K1	K2			1	51460-045-670	0202226	
4	FORK ASSY., L. FR.		A	K1	K2			1	51500-045-670	0175273	
5	SPRING, FR. FORK		A	K1	K2			2	51501-045-670	0202234	
6	GUIDE, FR. FORK PIPE		A	K1	K2			2	51502-045-670	0202242	
7	CAP, FORK PIPE GUIDE		A	K1	K2			2	51503-064-010	0271445	
	CAP, FORK PIPE GUIDE		A	K1	K2			2	51503-098-000	0202259	
8	HOLDER, UPPER		A	K1	K2			2	51504-064-020	0202267	
9	BOOT, FR. FORK		A	K1	K2			2	51505-064-010B	0202200	
10	RUBBER, FR. FORK STOPPER		A	K1	K2			2	51506-064-020	0202275	
11	PIN, SPRING		A	K1	K2			2	51526-064-000	0202283	
12	WASHER, SEAT		A	K1			174447	2	51620-045-670	0201160	
13	OIL SEAL, 20.7X30X7		A	K1	K2			2	90755-064-013	0202291	
14	BOLT, HEX., 10X40		A				108295	2	92000-10040-0A	0175877	
	BOLT, HEX., 10X40		A				108296	2	93000-10040-0A	0181545	
	BOLT, HEX., 10X40		A				108296	2	93100-10040-0A	0338558	
	BOLT HEX 10X40		A				108296	2	93100-10040-0A	0338558	
	BOLT HEX 10X40		A				108296	2	93101-10040-0A	4515862	
	BOLT HEX 10X40		A				108296	2	93101-10040-0A	4515862	
15	WASHER, PLAIN, 10MM		A	K1	K2			2	94101-10000	0059113	

D6

CONTENTS

TITLE	PAGE	GRID
AIR CLEANER	66	D12
ALTERNATOR	36	C6
BATTERY	100	F5
BRAKE, RR, Z50AK2	88	E11
CAM CHAIN TENSIONER	12	B6
CAMSHAFT	10	B5
CARBURETOR SET	40	C8
CHANGE PEDAL	104	F7
CLUTCH	16	B8
CRANKCASE	14	B7
CRANKCASE COVER	22	B11
CRANKCASE COVER, L.	36	C6
CRANKSHAFT	6	B3
CUSHION, FR.	54	D6
CYLINDER	2	B1
CYLINDER HEAD	2	B1
FENDER, FR.	96	F3
FORK, FR.	50	D4
FRAME	66	D12
FUEL TANK	56	D7
GEAR SHIFT DRUM	32	C4
GEARSHIFT SPINDLE	30	C3
HANDLEBAR	44	D1
HEADLIGHT	92	F1
HEADLIGHT CASE	92	F1
KICK	104	F7
MUFFLER	70	E2
OIL PUMP	22	B11
SEAT	62	D10
STEP BAR	92	D10
TAILLIGHT	95	F3
TRANSMISSION	26	C1
VALVE	10	B5
WHEEL, FR.	74	E4
WHEEL, RR.	80	E7
WIRE HARNESS	100	F5

© AMERICAN HONDA MOTOR CO., LTD. 1994 55

GRID

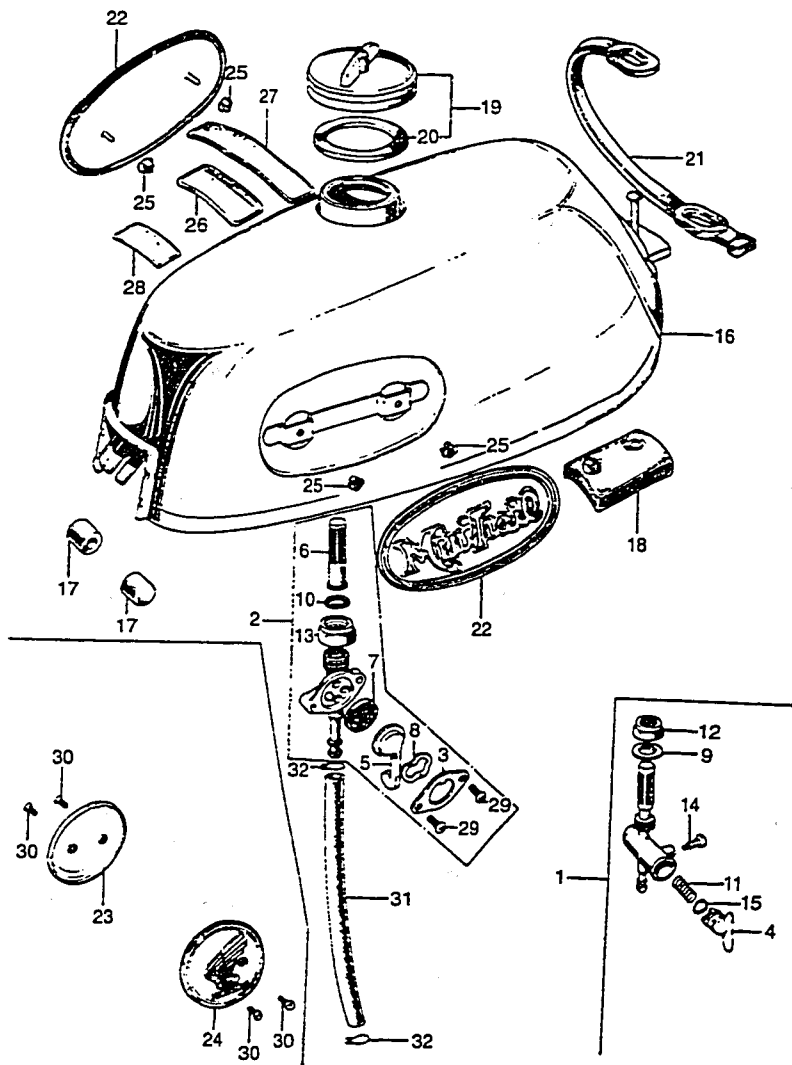
D6

54 © AMERICAN HONDA MOTOR CO., LTD. 1994

Z50A ENGINE NO.; Z50AE-100001 TO SUBSEQUENT
Z50A FRAME NO.; Z50A-100001 TO 120087
Z50AK1 ENGINE NO.; Z50AE-120088 TO SUBSEQUENT
Z50AK1 FRAME NO.; Z50A-120088 TO 270235

Z50AK2 ENGINE NO.; Z50AE-270236 TO SUBSEQUENT
Z50AK2 FRAME NO.; Z50A-270236 TO 387884

FUEL TANK



"CAUTION OR WARNING LABELS MUST BE ORDERED SEPARATELY WHEN APPLICABLE"

F14045204

A = Z50A
K1 = Z50AK1
K2 = Z50AK2

Ref. No.	BLOCK NO. DESCRIPTION	F-4	Z50A			FRAME SERIAL NUMBER		QTY REQ	PART NUMBER	HONDA CODE
			A	K1	K2	FROM	TO			
			A	K1	K2					
1	VALVE ASSY., FUEL		A	K1			242186	1	16950-044-004	0125419
	VALVE ASSY., FUEL		A	K1			242186	1	16950-045-005	0209742
2	VALVE ASSY., FUEL			K1			242187	1	16950-045-005	0209742
					K2			1	16950-045-005	0209742
3	COVER, FUEL VALVE			K1			242187	1	16952-081-005	0209759
					K2			1	16952-081-005	0209759
4	LEVER, VALVE			K1			242186	1	16953-044-004	0125427
5	LEVER, VALVE			K1			242187	1	16953-061-005	0209767
					K2			1	16953-081-005	0209767
6	STRAINER, FUEL VALVE			K1			242187	1	16954-045-005	0209775
					K2			1	16954-045-005	0209775
7	GASKET, VALVE			K1			242187	1	16955-268-020	0042234
					K2			1	16955-268-020	0042234
8	SPRING, VALVE LEVER			K1			242187	1	16956-011-000	0006163
					K2			1	16956-011-000	0006163
	SPRING, VALVE LEVER			K1			242187	1	16956-011-010	0006171
					K2			1	16956-011-310	0006171
	SPRING, VALVE LEVER			K1			242187	1	16956-028-004	0179663
					K2			1	16956-028-004	0179663
9	GASKET, TURN BUCKLE NUT		A	K1			242186	1	16958-044-004	0125435
10	GASKET, FUEL STRAINER CUP			K1			242187	1	16958-081-015	0209783
					K2			1	16958-081-015	0209783
11	SPRING, VALVE		A	K1			242186	1	16960-044-004	0125443
12	NUT, TURN BUCKLE		A	K1			242186	1	16962-044-004	0125450
13	NUT, TURN BUCKLE			K1			242187	1	16962-081-005	0209791
					K2			1	16962-081-005	0209791
14	SCREW, LEVER STOPPER		A	K1			242186	1	16963-044-004	0125468
15	O-RING		A	K1			242186	1	16997-044-004	0125476
	O-RING, 7X1.7		A	K1			242186	1	91312-107-000	0213348
16	TANK COMP., FUEL (IVORY WHITE & SCARLET)		A					1	17500-045-670BV	0174425
	TANK COMP., FUEL (IVORY WHITE & BRIGHT YELLOW)		A					1	17500-045-670BW	0174433
	TANK COMP., FUEL		A					1	17500-045-670CJ	0182907
			A	K1			120088	1	17500-045-670CJ	0182907

CONTENTS

TITLE	PAGE	GRID
AIR CLEANER	66	D12
ALTERNATOR	36	C6
BATTERY	100	F5
BRAKE, RR, Z50AK2	88	E11
CAM CHAIN TENSIONER	12	B6
CAMSHAFT	10	B5
CARBURETOR SET	40	C8
CHANGE PEDAL	104	F7
CLUTCH	16	B8
CRANKCASE	14	B7
CRANKCASE COVER	22	B11
CRANKCASE COVER, L	36	C6
CRANKSHAFT	6	B3
CUSHION, FR	54	D6
CYLINDER	2	B1
CYLINDER HEAD	2	B1
FENDER, RR	96	F3
FORK, FR	50	D4
FRAME	66	D12
FUEL TANK	56	D7
GEAR SHIFT DRUM	32	C4
GEARSHIFT SPINDLE	30	C3
HANDLEBAR	44	D1
HEADLIGHT	92	F1
HEADLIGHT CASE	92	F1
KICK	104	F7
MUFFLER	70	E2
OIL PUMP	22	B11
SEAT	62	D10
STEP BAR	96	F3
TAILLIGHT	96	F3
TRANSMISSION	26	C1
VALVE	10	B5
WHEEL, FR	74	E4
WHEEL, RR	80	E7
WIRE HARNESS	100	F5

GRID **D7**

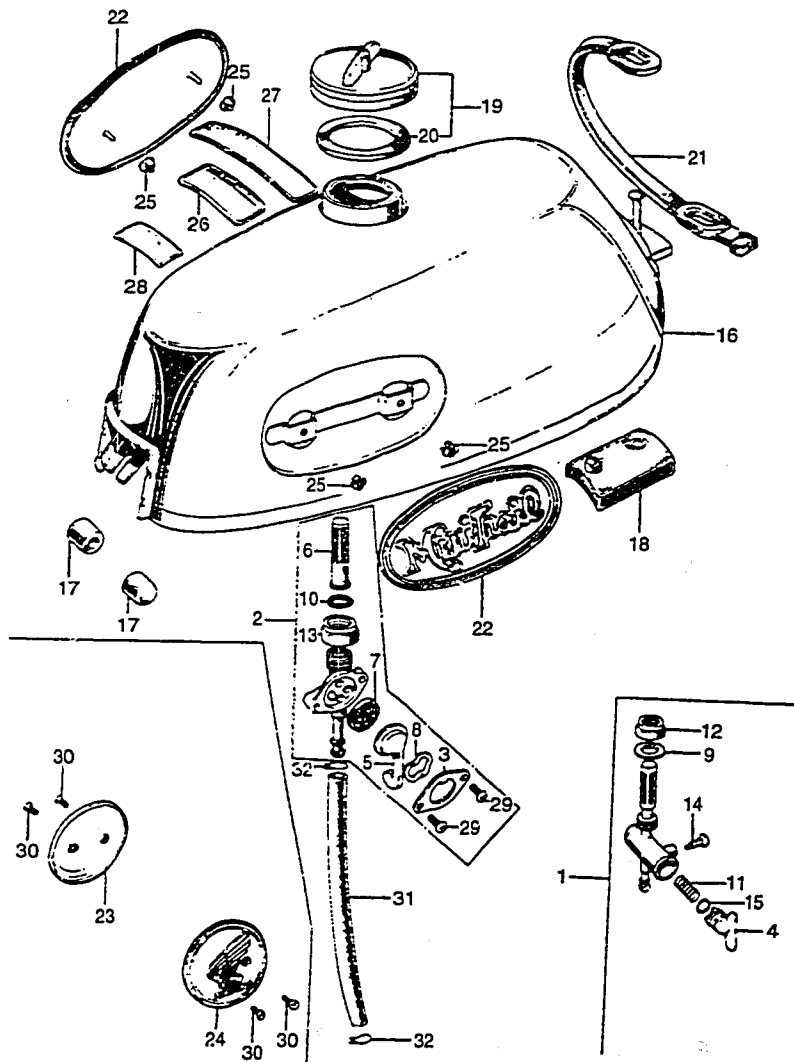
56 © AMERICAN HONDA MOTOR CO., LTD. 1994
Z50A ENGINE NO.; Z50AE-100001 TO SUBSEQUENT
Z50A FRAME NO.; Z50A-100001 TO 120087
Z50AK1 ENGINE NO.; Z50AE-120088 TO SUBSEQUENT
Z50AK1 FRAME NO.; Z50A-120088 TO 270235

Z50AK2 ENGINE NO.; Z50AE-270236 TO SUBSEQUENT
Z50AK2 FRAME NO.; Z50A-270236 TO 387884

D7

© AMERICAN HONDA MOTOR CO., LTD. 1994 57

FUEL TANK



"CAUTION OR WARNING LABELS MUST BE ORDERED SEPARATELY WHEN APPLICABLE"

F14045204

Ref. No.	BLOCK NO. DESCRIPTION	Z50A			FRAME SERIAL NUMBER	QTY	REO	PART NUMBER	HONDA CODE
		A	K1	K2					
		A	K1	K2	FROM	TO			
16	TANK COMP., FUEL (CANDY RED & CLOUD SILVER)	A	K1	---	---	---	1	17500-045-670BR	0182451
	TANK COMP., FUEL (CANDY BLUE & CLOUD SILVER)	---	K1	---	---	---	1	17500-045-670BZ	0182899
	TANK COMP., FUEL (CANDY RUBY RED & WHITE)	---	K1	K2	---	---	1	17500-045-671CR	0223222
	TANK COMP., FUEL (CANDY SAPPHIRE BLUE & WHITE) ..	---	K1	K2	---	---	1	17500-045-671CU	0223230
	TANK COMP., FUEL (MEXICAN YELLOW & WHITE)	---	K1	K2	---	---	1	17500-045-671DQ	0223248
	TANK COMP., FUEL	---	K1	K2	---	---	1	17500-045-671I2	0219006
17	RUBBER, FUEL TANK FR.	A	K1	---	173239	---	2	17611-045-020	0174441
	RUBBER, FUEL TANK FR.	---	K1	---	173240	---	2	17611-045-670	0202309
	RUBBER, FUEL TANK FR.	---	---	K2	---	---	2	17611-045-670	0202309
13	RUBBER, FUEL TANK RR.	A	K1	K2	---	---	1	17613-045-000	0174458
19	CAP, FUEL FILLER	A	---	---	---	---	1	17620-045-010	0174466
	CAP, FUEL FILLER	A	K1	K2	---	---	1	17620-045-670	0219014
	CAP, FUEL FILLER	A	K1	K2	---	---	1	17620-045-671	0753285
	CAP, FUEL FILLER	A	K1	K2	---	---	1	17620-943-003	0707570
	CAP, FUEL FILLER	A	K1	K2	---	---	1	17620-958-003	0955674
	CAP, FUEL FILLER	A	K1	K2	---	---	1	17620-958-013	1502996
20	GASKET, CAP	A	K1	---	---	---	1	17631-045-000	0174474
	GASKET, FUEL FILL CAP	---	---	K2	---	---	1	17631-001-000	0006254
	GASKET, FUEL FILLER CAP	---	---	K2	---	---	1	17631-096-701	2831444
21	BAND, FUEL TANK MOUNT	A	K1	K2	---	---	1	17670-045-670	0174482
22	EMBLEM, R. FUEL TANK	---	---	K2	---	---	2	87121-045-000	0219022
23	EMBLEM, R. FUEL TANK	A	K1	---	---	---	1	87121-045-670	0175133
24	EMBLEM, L. FUEL TANK	A	K1	---	---	---	1	87122-045-670	0175141
25	NUT, RR. ORNAMENT CLAMP	---	---	K2	---	---	4	87311-516-000	0166728
26	PLATE A, CAUTION	A	---	---	---	---	1	87504-045-670	0175158
	LABEL A, CAUTION	---	K1	---	---	---	1	87504-045-671	0182048
	LABEL A, CAUTION	---	---	K2	---	---	1	87504-045-010	0219030
	LABEL A, CAUTION	---	---	K2	---	---	1	87504-045-020	0308940
	LABEL A, CAUTION	---	---	K2	---	---	1	87504-045-020B	0248435

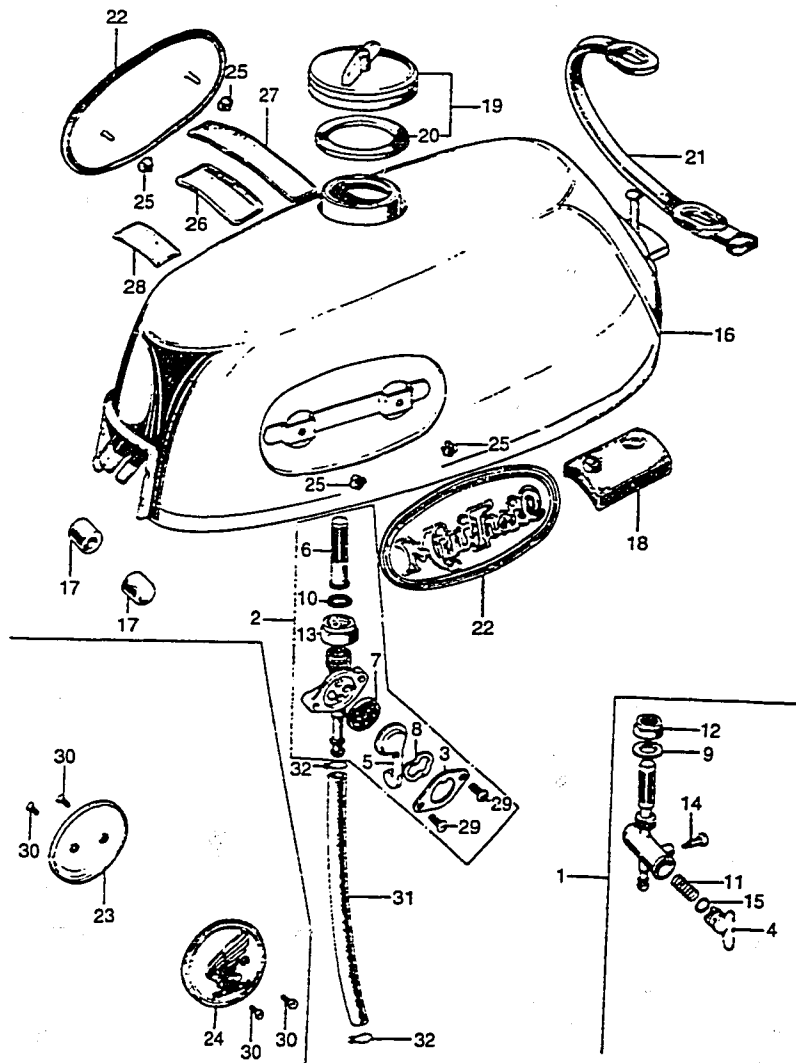
CONTENTS

TITLE	PAGE	GRID
AIR CLEANER	66	D12
ALTERNATOR	36	C6
BATTERY	100	F5
BRAKE, FR. Z50AK2	88	E11
CAM CHAIN TENSIONER	12	B6
CAMSHAFT	10	B5
CARBURETOR SET	40	C8
CHANGE PEDAL	104	F7
CLUTCH	16	B8
CRANKCASE	14	B7
CRANKCASE COVER	22	B11
CRANKCASE COVER, L.	36	C6
CRANKSHAFT	6	B3
CUSHION, FR.	54	D6
CYLINDER	2	B1
CYLINDER HEAD	2	B1
FENDER, RR.	96	F3
FORK, FR.	50	D4
FRAME	66	D12
FUEL TANK	56	D7
GEAR SHIFT DRUM	32	C4
GEARSHIFT SPINDLE	30	C3
HANDLEBAR	44	D1
HEADLIGHT	92	F1
HEADLIGHT CASE	92	F1
KICK	104	F7
MUFFLER	70	E2
OIL PUMP	22	B11
SEAT	62	D10
STEP BAR	62	D10
TAILLIGHT	9F	F3
TRANSMISSION	26	C1
VALVE	10	B5
WHEEL, FR.	74	E4
WHEEL, RR.	80	E7
WIRE HARNESS	100	F5

58 © AMERICAN HONDA MOTOR CO., LTD. 1994
 Z50A ENGINE NO.; Z50AE-100001 TO SUBSEQUENT
 Z50A FRAME NO.; Z50A-100001 TO 120087
 Z50AK1 ENGINE NO.; Z50AE-120088 TO SUBSEQUENT
 Z50AK1 FRAME NO.; Z50A-120088 TO 270235

Z50AK2 ENGINE NO.; Z50AE-270236 TO SUBSEQUENT
 Z50AK2 FRAME NO.; Z50A-270236 TO 387884

FUEL TANK



"CAUTION OR WARNING LABELS MUST BE ORDERED SEPARATELY WHEN APPLICABLE"

F14045204

Ref. No.	BLOCK NO. DESCRIPTION	Z50A			FRAME SERIAL NUMBER	QTY	PART NUMBER	HONDA CODE
		A	K1	K2				
		A	K1	K2	FROM	TO		
26	LABEL A, CAUTION			K2			1	87504-045-020S 0288100
27	PLATE B, CAUTION			K2			1	87505-045-010 0219048
	PLATE B, CAUTION			K2			1	87505-045-020B 0271171
	PLATE B, CAUTION			K2			1	87505-045-020S 0288118
28	LABEL, DRIVE CAUTION			K2	376134		1	87560-323-670A 0269340
	LABEL, DRIVE CAUTION			K2	376134		1	87560-323-670B 0269357
	LABEL, DRIVE CAUTION *NH1* (BLACK)			K2	376134		1	87560-323-670ZA 3491610
29	SCREW, PAN, 3X6		K1		242187		2	93500-03006-0A 0166652
				K2			2	93500-03006-0A 0166652
30	SCREW, OVAL, 3X8	A	K1				4	93700-03008-0B 0175885
31	TUBE, 4.5 (BULK HOSE: 95001-45008-40M)	A					1	95001-45000-40 0262113
			K1	K2		336883	1	95001-45000-40 0262113
	TUBE, FUEL, 4.5X130	A					1	95001-45000-90 0358887
			K1	K2		336883	1	95001-45000-90 0358887
	TUBE, FUEL, 4.5X130	A					1	95001-45100 2374353
			K1	K2		336883	1	95001-45100 2374353
	TUBE, FUEL, 4.5X130	A					1	95001-45100-90 2385086
			K1	K2		336883	1	95001-45100-90 2385086
	TUBE, 4.5X75 (BULK HOSE: 95001-45008-40M)			K2	336884		1	95001-45075-40 0635441
32	CLIP, TUBE, 4.5	A					2	95002-45000 0053538
			K1	K2		336883	2	95002-45000 0053538
	CLIP, TUBE, B8			K2	336884		2	95002-02080 0250647

CONTENTS

TITLE	PAGE	GRID
AIR CLEANER	66	D12
ALTERNATOR	36	C6
BATTERY	100	F5
BRAKE, RR, Z50AK2	88	E11
CAM CHAIN TENSIONER	12	B6
CAISSHAFT	10	B5
CARBURETOR SET	40	C8
CHANGE PEDAL	104	F7
CLUTCH	16	B8
CRANKCASE	14	B7
CRANKCASE COVER	22	B11
CRANKCASE COVER, L	36	C6
CRANKSHAFT	6	B3
CUSHION, FR	54	D6
CYLINDER	2	B1
CYLINDER HEAD	2	B1
FENDER, FR	96	F3
FORK, FR	50	D4
FRAME	66	D12
FUEL TANK	56	D7
GEAR SHIFT DRUM	32	C4
GEARSHIFT SPINDLE	30	C3
HANDLEBAR	44	D1
HEADLIGHT	92	F1
HEADLIGHT CASE	92	F1
KICK	104	F7
MUFFLER	70	E2
OIL PUMP	22	B11
SEAT	62	D10
STEP BAR	62	D10
TAILLIGHT	96	F3
TRANSMISSION	26	C1
VALVE	10	B5
WHEEL, FR	74	E4
WHEEL, RR	80	E7
WIRE HARNESS	100	F5

60

© AMERICAN HONDA MOTOR CO. LTD. 1994

D9

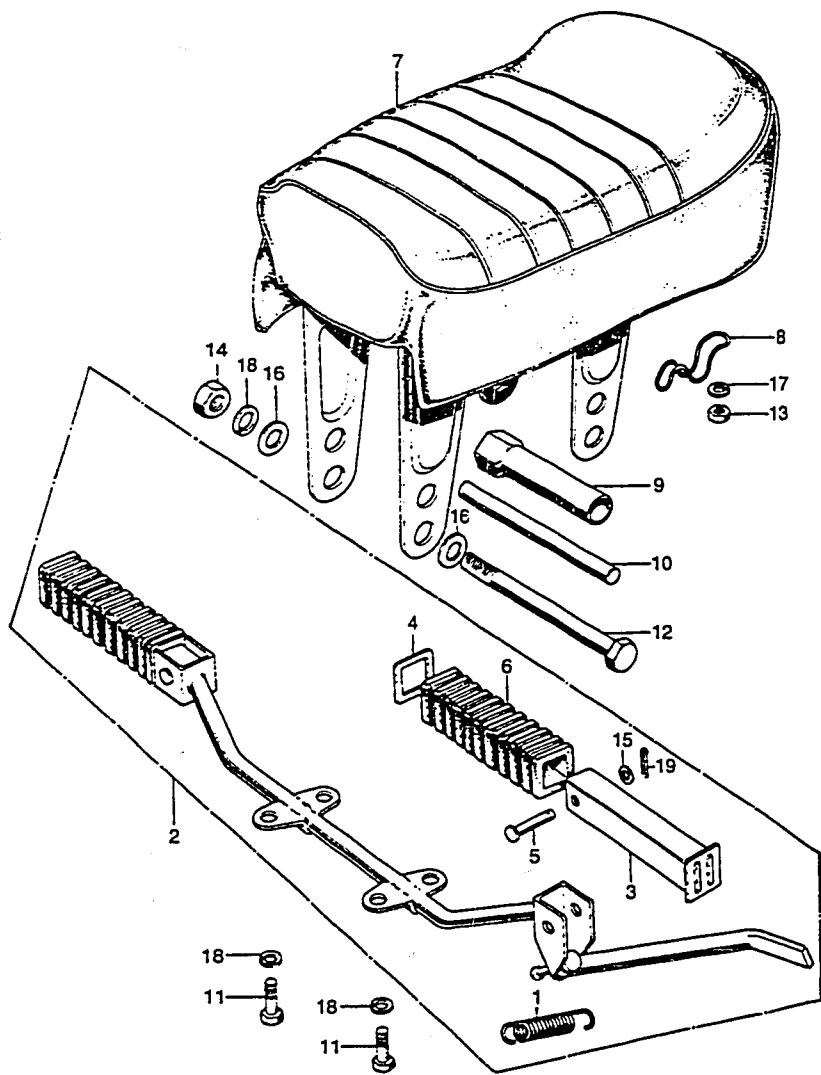
Z50A ENGINE NO.; Z50AE-100001 TO SUBSEQUENT
 Z50A FRAME NO.; Z50A-100001 TO 120087
 Z50AK1 ENGINE NO.; Z50AE-120088 TO SUBSEQUENT
 Z50AK1 FRAME NO.; Z50A-120088 TO 270235

Z50AK2 ENGINE NO.; Z50AE-270236 TO SUBSEQUENT
 Z50AK2 FRAME NO.; Z50A-270236 TO 387884

© AMERICAN HONDA MOTOR CO. LTD. 1994

61

SEAT • STEP BAR



F14045205

Ref. No.	BLOCK NO. DESCRIPTION	F-5	Z50A			FRAME SERIAL NUMBER	QTY REQ	PART NUMBER	HONDA CODE
			A	K1	K2				
			A	K1	K2				
1	SPRING, SIDE STAND		A	K1	K2		1	50542-045-010	0175240
2	BAR COMP., STEP		A	K1	K2		1	50610-045-670	0175257
3	ARM, PILLION STEP		A	K1			2	50701-024-010	0019372
	BAR, PILLION STEP		A	K1			2	50715-283-000	0077206
	BAR B, PILLION STEP		A	K1			2	95015-62000	0257782
	BAR, PILLION STEP			K1			2	50630-023-222	0019414
	BAR, PILLION STEP			K1			2	50701-045-670	0182055
	ARM COMP., STEP			K1	K2		2	50615-045-670	0219055
4	WASHER, PILLION STEP		A				2	50712-024-000	0019398
	WASHER, STEP		A				2	50712-024-000	0019398
				K1	K2	382794	2	95015-91000	0257741
				K2		382795	2	95015-91000	0257741
				K2		382795	2	95015-91000	0257741
5	PIN, PILLION STEP		A				2	50715-024-000	0019406
				K1	K2		2	50715-024-000	0019406
				K1	K2	382794	2	95015-81000	0331561
				K2		382794	2	95015-81000	0331561
				K2		382795	2	95015-81000	0331561
6	RUBBER, PILLION STEP		A				2	50731-024-000	0166538
				K1	K2		2	50731-024-000	0166538
				K1	K2	382794	2	95011-31000	0255687
				K2		382794	2	95011-31000	0255687
				K2		382795	2	95011-31000	0255687
7	SEAT ASSY.		A	K1		157859	1	77100-045-670A	0175117
	SEAT ASSY.		A	K1		157859	1	77100-045-671A	0114447
				K1		157860	1	77100-045-671A	0114447
				K2			1	77100-045-671A	0114447
8	WIRE, SPARKING PLUG WRENCH HOLDER		A	K1	K2		2	77135-045-671	0175125
	PLATE, PLUG WRENCH SETTING		A	K1	K2		2	77136-170-000	0724344
9	WRENCH, SPARK PLUG		A	K1	K2		1	89216-045-000	0174979
	WRENCH, SPARK PLUG		A	K1	K2		1	89216-045-01C	0201699
	WRENCH, PLUG		A			108296	1	89216-045-670	0181552
				K1	K2		1	89216-045-670	0181552
10	BAR, HANDLE		A			108296	1	89217-045-670	0181560
				K1	K2		1	89217-045-670	0181566
11	BOLT, HEX., 8X20		A	K1	K2		4	92000-08020-0A	0171728
	BOLT, HEX., 8X20		A	K1	K2		4	92101-08020-0A	2936243

CONTENTS

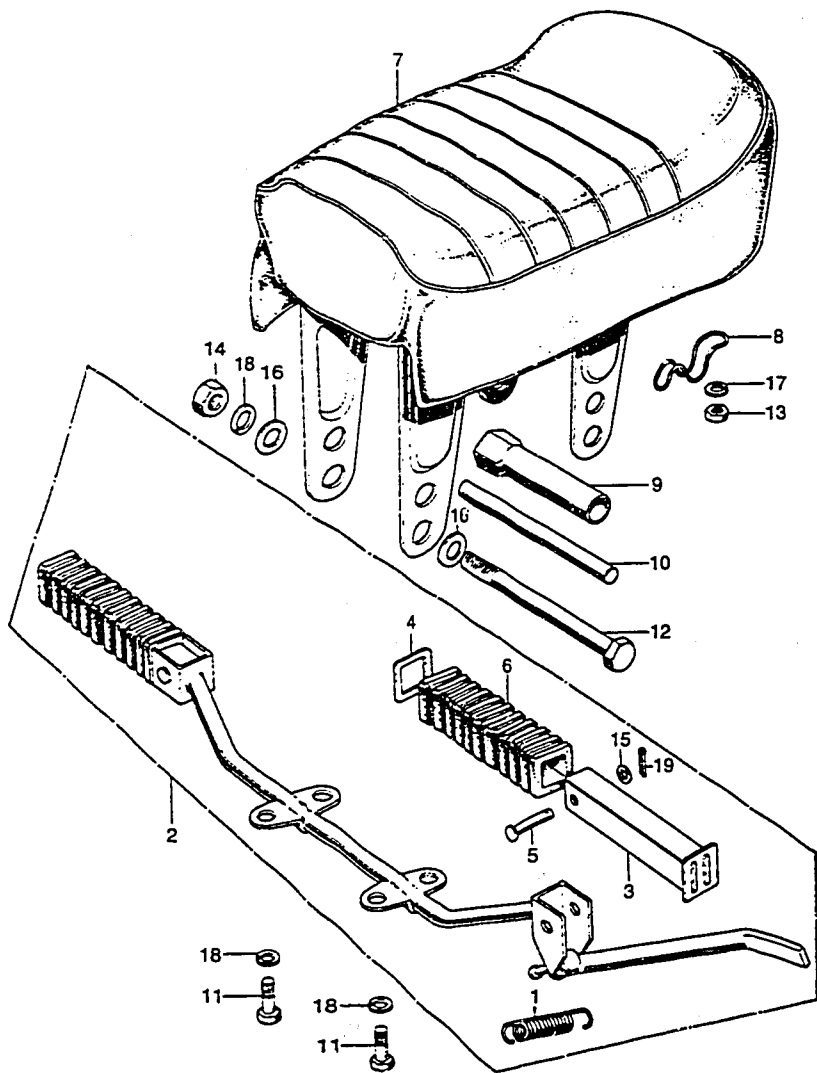
TITLE	PAGE	GRID
AIR CLEANER	66	D12
ALTERNATOR	36	C6
BATTERY	100	F5
BRAKE, RR Z50AK2	88	E11
CAM CHAIN TENSIONER	12	BF
CAMSHAFT	10	B5
CARBURETOR SET	40	C8
CHANGE PEDAL	104	F7
CLUTCH	16	B8
CRANKCASE	14	B7
CRANKCASE COVER	22	B11
CRANKCASE COVER, L	36	C6
CRANKSHAFT	6	B3
CUSHION, FR	54	D6
CYLINDER	2	B1
CYLINDER HEAD	2	B1
FENDER, FR	96	F3
FORK, FR	50	D4
FRAME	66	D12
FUEL TANK	56	D7
GEAR SHIFT DRUM	32	C4
GEARSHIFT SPINDLE	30	C3
HANDLEBAR	44	D1
HEADLIGHT	92	F1
HEADLIGHT CASE	92	F1
KICK	104	F7
MUFFLER	70	E2
OIL PUMP	22	B11
SEAT	62	D10
STEP BAR	62	D10
TAILLIGHT	96	F3
TRANSMISSION	28	C1
VALVE	10	B5
WHEEL, FR	74	E4
WHEEL, RR	80	E7
WIRE HARNESS	100	F5

GRID **D10**

Z50A ENGINE NO.; Z50AE-100001 TO SUBSEQUENT
 Z50A FRAME NO.; Z50A-100001 TO 120087
 Z50AK1 ENGINE NO.; Z50AE-120088 TO SUBSEQUENT
 Z50AK1 FRAME NO.; Z50A-120088 TO 270235

Z50AK2 ENGINE NO.; Z50AE-270236 TO SUBSEQUENT
 Z50AK2 FRAME NO.; Z50A-270236 TO 387884

SEAT • STEP BAR



F14045205

A = Z50A
K1 = Z50AK1
K2 = Z50AK2

Ref. No.	BLOCK NO. DESCRIPTION	Z50A			FRAME SERIAL NUMBER	QTY REQ	PART NUMBER	HONDA CODE
		A	K1	K2				
		F-5		FROM				
12	BOLT, HEX., 8X111	A	K1	K2	---	2	92000-08112	0136275
	BOLT, HEX., 8X112	A	K1	K2	---	2	92000-08112-0A	0173633
	BOLT, HEX., 8X111	A	K1	K2	---	2	92020-08111	0055061
13	NUT, HEX., 6MM	A	K1	K2	---	2	90310-KA3-711	1553916
	NUT, HEX., 6MM	A	K1	K2	---	2	94000-06000-0S	1591283
	NUT, HEX., 6MM	A	K1	K2	---	2	94001-06000	0058016
	NUT, HEX., 6MM	A	K1	K2	---	2	94001-06000-0S	0156067
	NUT, HEX., 6MM	A	K1	K2	---	2	94001-06008-0S	2829414
	NUT, HEX., 6MM	A	K1	K2	---	2	94001-06200-0S	2043255
	NUT, HEX., 6MM	A	K1	K2	---	2	94030-06000	1642693
14	NUT, HEX., 8MM	A	---	---	108295	2	94001-08000	0058032
	NUT, HEX., 8MM	A	---	---	108295	2	94030-08000	0114686
	NUT, HEX., 8MM	A	K1	K2	---	2	94030-08000	0114686
	NUT, HEX., 8MM	A	---	---	108295	2	94030-08200	1325224
15	WASHER, PLAIN, 6MM	A	K1	K2	---	2	54101-06000	0059071
	WASHER, PLAIN, 6MM	A	K1	K2	---	2	94101-06080	3136074
	WASHER, PLAIN, 6MM	A	K1	K2	---	2	94101-06800	0345900
16	WASHER, PLAIN, 8MM	A	K1	K2	---	4	94101-08000	0059097
17	WASHER, SPRING, 6MM	A	K1	K2	---	2	94111-06000	0058974
18	WASHER, SPRING, 8MM	A	K1	K2	---	6	94111-08000	0058982
19	PIN, COTTER 1.6X15	A	K1	K2	---	2	94201-16150	0058313
	PIN, COTTER 1.6X25	A	K1	K2	---	2	94201-16250	0058339

CONTENTS

TITLE	PAGE	GRID
AIR CLEANER	68	D12
ALTERNATOR	36	C6
BATTERY	100	F5
BRAKE, FR. Z50AK2	88	E11
CAM CHAIN TENSIONER	12	B6
CAMSHAFT	10	B5
CARBURETOR SET	40	C8
CHANGE PEDAL	104	F7
CLUTCH	16	B8
CRANKCASE	14	B7
CRANKCASE COVER	22	B11
CRANKCASE COVER, L	35	C6
CRANKSHAFT	6	B3
CUSHION, FR.	54	D6
CYLINDER	2	B1
CYLINDER HEAD	2	B1
FENDER, FR.	96	F3
FORK, FR.	50	D4
FRAME	56	D12
FUEL TANK	56	D7
GEAR SHIFT DRUM	32	C4
GEARSHIFT SPINDLE	30	C3
HANDLEBAR	44	D1
HEADLIGHT	92	F1
HEADLIGHT CASE	92	F1
KICK	104	F7
MUFFLER	70	E2
OIL PUMP	22	B11
SEAT	62	D10
STEP BAR	62	D10
TAILLIGHT	96	F3
TRANSMISSION	26	C1
VALVE	10	B5
WHEEL, FR.	74	E4
WHEEL, RR.	80	E7
WIRE HARNESS	100	F5

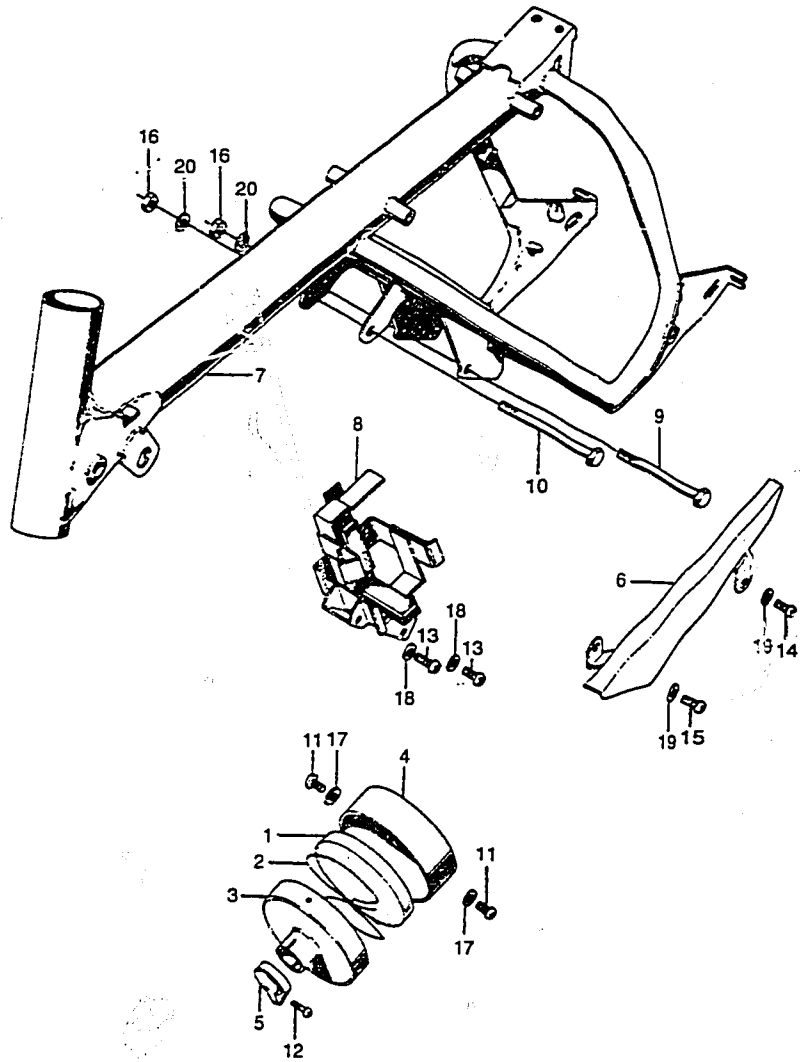
GRID

D11

Z50A ENGINE NO.; Z50AE-100001 TO SUBSEQUENT
Z50A FRAME NO.; Z50A-100001 TO 120087
Z50AK1 ENGINE NO.; Z50AE-120088 TO SUBSEQUENT
Z50AK1 FRAME NO.; Z50A-120088 TO 270235

Z50AK2 ENGINE NO.; Z50AE-270236 TO SUBSEQUENT
Z50AK2 FRAME NO.; Z50A-270236 TO 387884

FRAME • AIR CLEANER



F14045206

A = Z50A
K1 = Z50AK1
K2 = Z50AK2

Ref. No.	BLOCK NO. DESCRIPTION	F-6	Z50A			FRAME SERIAL NUMBER	QTY	PART NUMBER	HONDA CODE
			A	K1	K2				
1	ELEMENT, AIR CLEANER		A	K1	K2	-----	1	17211-045-670	0174375
2	WIRE, CLEANER ELEMENT SUPPORT		A	K1	K2	-----	1	17213-045-670	0174383
3	CASE, AIR CLEANER		A	K1	K2	-----	1	17221-045-670	0174391
4	COVER, AIR CLEANER		A	K1	K2	-----	1	17231-045-670	0174409
5	BAND, CLEANER CONNECTING TUBE		A	K1	K2	-----	1	17255-045-670	0174417
6	CASE, DRIVE CHAIN			K1	K2	-----	1	40510-045-670XW	0182345
7	FRAME COMP.		A			105306	1	50100-045-671Z	0175232
	FRAME COMP.		A			-----	1	50100-045-672XB	0178111
	FRAME COMP.		A			-----	1	50100-045-672Z	0178103
	FRAME COMP.		A			-----	1	50100-045-673Z	0188797
	FRAME COMP.			K1		139330	1	50100-045-673Z	0188797
	FRAME COMP.		A			-----	1	50100-045-674Z	0182063
	FRAME COMP.			K1		139330	1	50100-045-674Z	0182063
	FRAME COMP.			K1		173239	1	50100-045-674Z	0182063
	FRAME COMP.		A			-----	1	50100-045-675Z	0202317
	FRAME COMP.			K1		139330	1	50100-045-675Z	0202317
	FRAME COMP.			K1		173239	1	50100-045-675Z	0202317
	FRAME COMP.			K1		173240	1	50100-045-675Z	0202317
	FRAME COMP.			K1	K2	-----	1	50100-045-677Z	0219063
8	TRAY, BATTERY			K1		139330	1	50380-045-670B	0182212
	TRAY, BATTERY			K1		-----	1	50380-045-671B	0197590
9	BOLT, HEX., 8X100		A	K1	K2	-----	1	92000-08100-0A	0256859
	BOLT, HEX., 8X100		A	K1	K2	-----	1	92101-08100-0A	3391497
10	BOLT, HEX., 8X109		A	K1	K2	-----	1	92000-08109	0175901
	BOLT, HEX., 8X109		A	K1	K2	-----	1	92000-08109-DA	0965525
	BOLT, HEX., 8X109		A	K1	K2	-----	1	92000-08109-0A	1049196
11	SCREW, PAN, 4X8		A	K1	K2	-----	2	93500-04008-0A	0156463
12	SCREW, PAN, 4X26		A	K1	K2	-----	1	93500-04016-0A	0173682
13	SCREW, PAN, 5X16			K1		139330	1	93500-05016-0A	0145557
	SCREW, PAN, 5X45			K1		139331	2	93500-05045-0A	0197715
14	SCREW, CROSS, 6X8			K1	K2	-----	1	93500-06008	0057380
15	SCREW, PAN, 6X12			K1	K2	-----	1	93500-06012	0057422
	SCREW, PAN, 6X12			K1	K2	-----	1	93500-06012-0A	0182360
	SCREW, PAN, 6X12			K1	K2	-----	1	93500-06012-00	2711489

D12

CONTENTS

TITLE	PAGE	GRID
AIR CLEANER	66	D12
ALTERNATOR	36	C6
BATTERY	100	F5
BRAKE, RR, Z50AK2	88	E11
CAM CHAIN TENSIONER	12	B6
CAMSHAFT	10	B5
CARBURETOR SET	40	C8
CHANGE PEDAL	104	F7
CLUTCH	16	B8
CRANKCASE	14	B7
CRANKCASE COVER	22	B11
CRANKCASE COVER, L	36	C6
CRANKSHAFT	6	B3
CUSHION, FR	54	D6
CYLINDER	2	B1
CYLINDER HEAD	2	B1
FENDER, RR	96	F3
FORK, FR	50	D4
FRAME	66	D12
FUEL TANK	56	D7
GEAR SHIFT DRUM	32	C4
GEARSHIFT SPINDLE	30	C3
HANDLEBAR	44	D1
HEADLIGHT	92	F1
HEADLIGHT CASE	92	F1
KICK	104	F7
MUFFLER	70	E2
OIL PUMP	22	B11
SEAT	62	D10
STEP BAR	62	D10
TAILLIGHT	96	F3
TRANSMISSION	26	C1
VALVE	10	B5
WHEEL, FR	74	E4
WHEEL, RR	80	E7
WIRE HARNESS	100	F5

GRID

D12

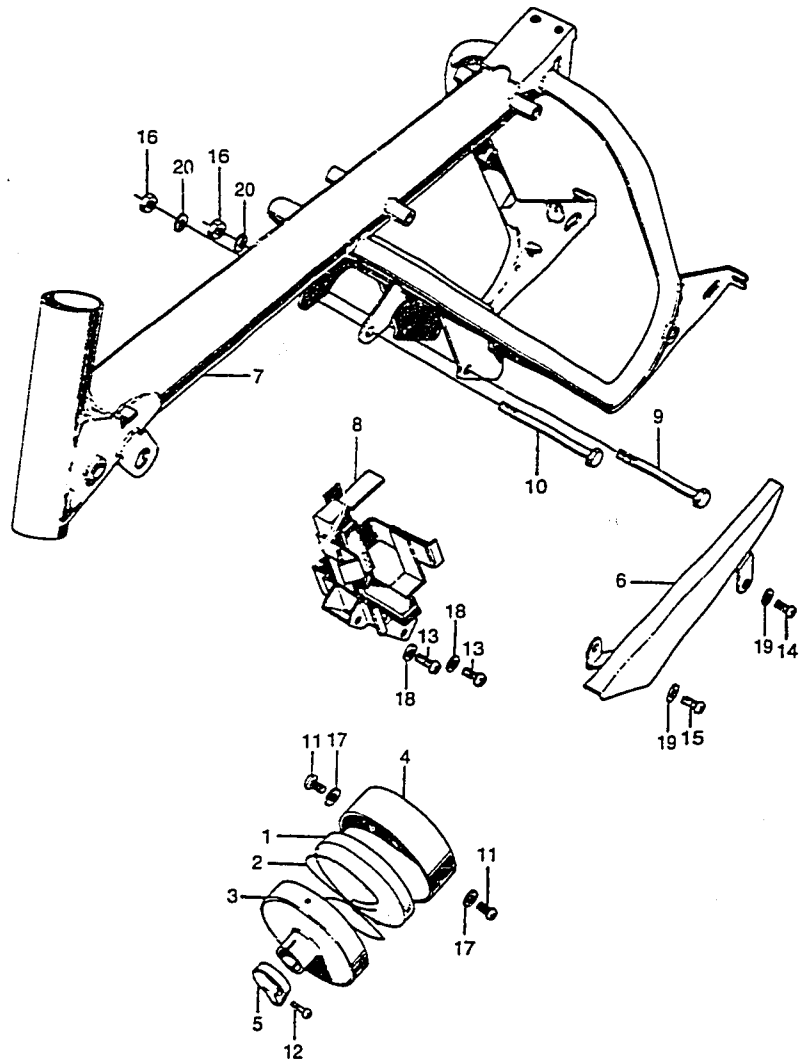
© AMERICAN HONDA MOTOR CO., LTD. 1994 67

66 © AMERICAN HONDA MOTOR CO., LTD. 1994

Z50A ENGINE NO.; Z50AE-100001 TO SUBSEQUENT
Z50A FRAME NO.; Z50A-100001 TO 120087
Z50AK1 ENGINE NO.; Z50AE-120088 TO SUBSEQUENT
Z50AK1 FRAME NO.; Z50A-120088 TO 270235

Z50AK2 ENGINE NO.; Z50AE-270236 TO SUBSEQUENT
Z50AK2 FRAME NO.; Z50A-270236 TO 387884

FRAME • AIR CLEANER



F14045206

Ref. No.	BLOCK NO. DESCRIPTION	Z50A			FRAME SERIAL NUMBER	QTY REQ	PART NUMBER	HONDA CODE
		F-6						
		A	K1	K2				
		A	K1	K2	FROM	TO		
16	NUT, HEX., 8MM	A	K1	K2	-----	-----	2	94030-08000 0114686
17	WASHER, PLAIN, 4MM	A	K1	K2	-----	-----	2	94101-04000 0059048
18	WASHER, PLAIN, 5MM	---	K1	---	-----	139330	4	94101-05000 0059055
		---	K1	---	-----	139331	2	94101-05000 0059055
19	WASHER, PLAIN, 6MM	---	K1	K2	-----	-----	2	94101-06000 0059071
	WASHER, PLAIN, 6MM	---	K1	K2	-----	-----	2	94101-06080 3136074
	WASHER, PLAIN, 6MM	---	K1	K2	-----	-----	2	94101-06800 0345900
20	WASHER, SPRING, 8MM	A	K1	K2	-----	-----	2	94111-08000 0058982

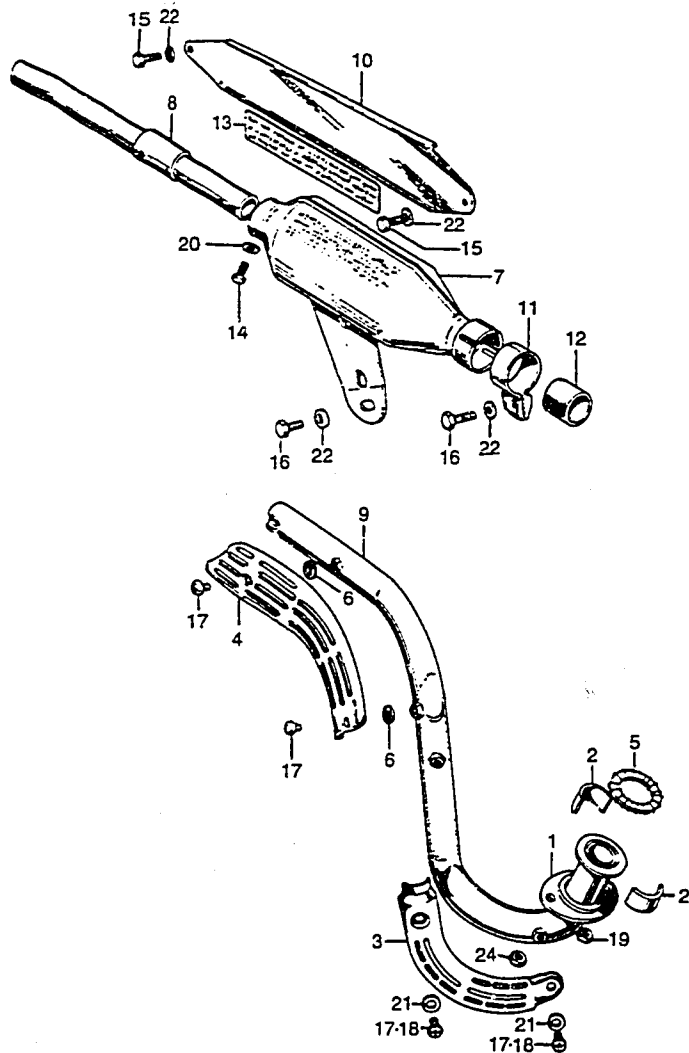
CONTENTS

TITLE	PAGE	GRID
AIR CLEANER	56	D12
ALTERNATOR	36	C6
BATTERY	100	F5
BRAKE, RR, Z50AK2	88	E11
CAM CHAIN TENSIONER	12	B6
CAMSHAFT	10	B5
CARBURETOR SET	40	C8
CHANGE PEDAL	104	F7
CLUTCH	16	B8
CRANKCASE	14	B7
CRANKCASE COVER	22	B11
CRANKCASE COVER, L	36	C6
CRANKSHAFT	6	B3
CUSHION, FR	54	D6
CYLINDER	2	E1
CYLINDER HEAD	2	B1
FENDER, FR	96	F3
FORK, FR	50	D4
FRAME	66	D12
FUEL TANK	56	D7
GEAR SHIFT DRUM	32	C4
GEARSHIFT SPINDLE	30	C3
HANDLEBAR	44	D1
HEADLIGHT	92	F1
HEADLIGHT CASE	92	F1
KICK	104	F7
MUFFLER	70	E2
OIL PUMP	22	B11
SEAT	62	D10
STEP BAR	62	D10
TAILLIGHT	96	F3
TRANSMISSION	26	C1
VALVE	10	B5
WHEEL, FR	74	E4
WHEEL, RR	80	E7
WIRE HARNESS	100	F5

Z50A ENGINE NO.; Z50AE-100001 TO SUBSEQUENT
 Z50A FRAME NO.; Z50A-100001 TO 120087
 Z50AK1 ENGINE NO.; Z50AE-120088 TO SUBSEQUENT
 Z50AK1 FRAME NO.; Z50A-120088 TO 270235

Z50AK2 ENGINE NO.; Z50AE-270236 TO SUBSEQUENT
 Z50AK2 FRAME NO.; Z50A-270236 TO 387884

MUFFLER



"CAUTION OR WARNING LABELS MUST BE ORDERED SEPARATELY WHEN APPLICABLE"

F14045207

A = Z50A
K1 = Z50AK1
K2 = Z50AK2

Ref. No.	BLOCK NO. DESCRIPTION	F-7	Z50A			FRAME SERIAL NUMBER	QTY REQ	PART NUMBER	HONDA CODE
			A	K1	K2				
1	JOINT, EX. PIPE		A	K1	K2		1	18231-040-000	0341750
	JOINT, EX. PIPE		A	K1	K2		1	18231-041-300	0174508
2	COLLAR, EX. PIPE JOINT		A	K1	K2		2	18233-040-010	0174516
3	COVER, EX. PIPE		A	K1			1	18240-045-030	0174524
4	PROTECTOR, EX. PIPE		A	K1	K2		1	18241-045-030	0174532
	COVER, EX. PIPE				K2		1	18240-045-670	0219071
5	GASKET, EX. PIPE		A	K1	K2		1	18291-HB2-900	3679768
	GASKET, EX. PIPE		A	K1	K2		1	18291-001-010	0006361
	GASKET, EX. PIPE		A	K1	K2		1	18291-001-306	4434502
6	GASKET, PROTECTOR			K1	K2		2	18292-167-890	4356325
	GASKET, PROTECTOR			K1	K2		2	18292-290-000	0166298
	GASKET, PROTECTOR			K1	K2		2	18292-329-000	0293068
7	MUFFLER COMP.		A	K1	K2		1	183A1-045-671	1502582
	MUFFLER COMP.		A	K1	K2		1	18310-045-671	0174540
	MUFFLER COMP.		A	K1	K2		1	18310-045-677	1493063
8	PIPE, EX. DIFFUSER		A				1	18311-045-671	0174557
	PIPE, EX. DIFFUSER		A	K1	K2		1	18314-045-670	0182071
9	PIPE, EX.		A	K1		225099	1	18320-045-670	0174565
	PIPE, EX.		A	K1		225099	1	18320-045-671	0208058
			A	K1	K2		1	18320-045-671	0208058
10	PROTECTOR, MUFFLER		A			105306	1	18360-045-670Z	0174581
	PROTECTOR, MUFFLER (MEXICAN YELLOW)		A			105307	1	18360-045-671BY	0218727
				K1	K2		1	18360-045-671BY	0218727
	PROTECTOR, MUFFLER (CANDY SAPPHIRE BLUE)		A			105307	1	18360-045-671CN	0218719
				K1	K2		1	18360-045-671CN	0218719
	PROTECTOR, MUFFLER (BRIGHT YELLOW)		A			105307	1	18360-045-671XB	0178137
				K1	K2		1	18360-045-671XB	0178137
	PROTECTOR, MUFFLER		A			105307	1	18360-045-671Z	0178129
				K1	K2		1	18360-045-671Z	0178129
	PROTECTOR, MUFFLER (CANDY RUBY RED)			K1	K2		1	18360-045-671CM	0218701
11	BAND, EX. PIPE		A	K1	K2		1	18371-045-000	0174599

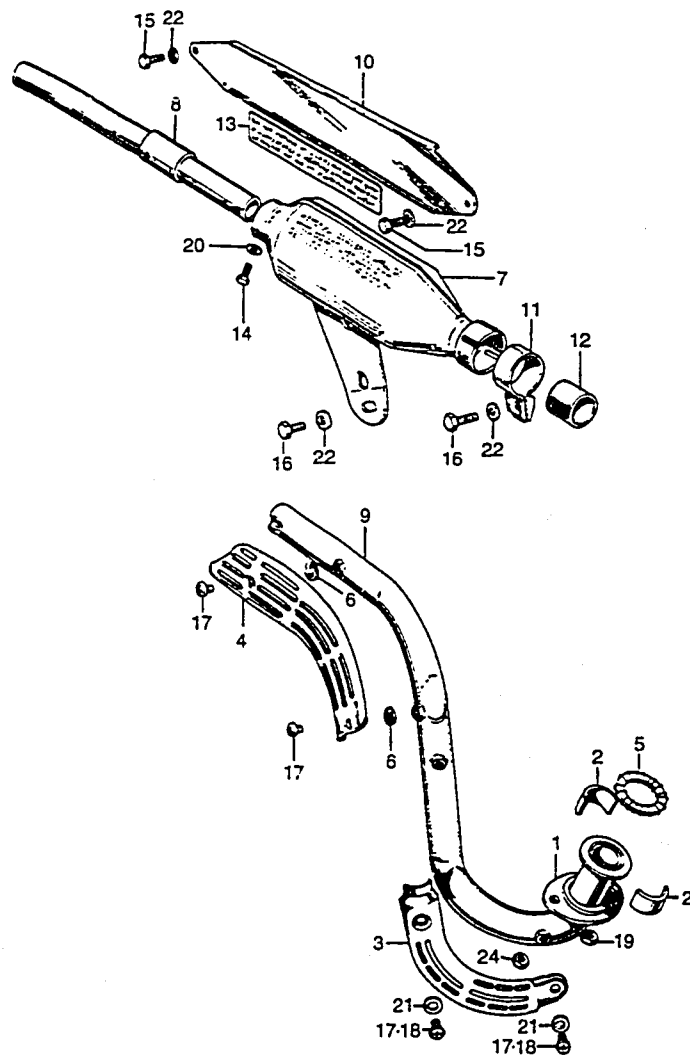
CONTENTS

TITLE	PAGE	GRID
AIR CLEANER	66	D12
ALTERNATOR	36	C6
BATTERY	100	F5
BRAKE, FR. Z50AK2	88	E11
CAM CHAIN TENSIONER	12	E6
CAMSHAFT	10	B5
CARBURETOR SET	40	C8
CHANGE PEDAL	104	F7
CLUTCH	16	B8
CRANKCASE	14	B7
CRANKCASE COVER	22	B11
CRANKCASE COVER, L.	36	C6
CRANKSHAFT	6	B3
CUSHION, FR.	54	D6
CYLINDER	2	B1
CYLINDER HEAD	2	B1
FENDER, FR.	96	F3
FORK, FR.	50	D4
FRAME	66	D12
FUEL TANK	56	D7
GEAR SHIFT DRUM	52	C4
GEARSHIFT SPINDLE	30	C3
HANDLEBAR	44	D1
HEADLIGHT	92	F1
HEADLIGHT CASE	92	F1
KICK	104	F7
MUFFLER	70	E2
OIL PUMP	22	B11
SEAT	62	D10
STEP BAR	62	D10
TAILLIGHT	96	F3
TRANSMISSION	26	C1
VALVE	10	B5
WHEEL, FR.	74	E4
WHEEL, RR.	80	E7
WIRE HARNESS	100	F5

GRID

E2

MUFFLER



"CAUTION OR WARNING LABELS MUST BE ORDERED SEPARATELY WHEN APPLICABLE"

F14045207

Ref. No.	BLOCK NO.	F-7	Z50A			FRAME SERIAL NUMBER	QTY	PART NUMBER	HONDA CODE
			A	K 1	K 2				
			A	K1	K2				
			A	K 1	K 2				
11	BAND, EX. PIPE		A	K1	K2		1	18371-114-000	0231498
12	GASKET, MUFFLER		A	K1	K2		1	18391-045-000	0174607
13	PLATE B, CAUTION LABEL, MUFFLER CAUTION		A				1	87505-045-670	0175166
	LABEL C, CAUTION		A	K1	K2		1	87504-028-670	0117747
14	BOLT, HEX., 5X8		A	K1	K2		1	92000-05008-4J	0175927
	BOLT, HEX., 5X8		A	K1	K2		1	92101-05008-4J	3681079
15	BOLT, HEX., 6X12		A	K1	K2		3	92000-06012	0054197
	BOLT, HEX., 6X12		A	K1	K2		3	92101-06012	2738821
	BOLT, HEX., 6X12		A	K1	K2		3	92101-06012-0A	3591500
16	BOLT, HEX., 6X18		A	K1	K2		1	92000-06018	0054254
	BOLT, HEX., 6X18		A	K1	K2		1	92000-06018-0A	0995811
	BOLT, HEX., 6X18		A	K1	K2		1	92101-06018-0A	3127818
	BOLT, HEX., 6X18		A	K1	K2		1	92200-06018	1078278
17	SCREW, PAN, 5X4		A				4	93500-05004-0A	0175935
18	SCREW, PAN, 5X8			K1	K2		2	93500-05008-0A	0145540
19	NUT, HEX., 6MM		A	K1	K2		2	90310-KA3-711	1553916
	NUT, HEX., 6MM		A	K1	K2		2	94000-06000-0S	1391283
	NUT, HEX., 6MM		A	K1	K2		2	94001-06000	0058016
	NUT, HEX., 6MM		A	K1	K2		2	94001-06000-0S	0156067
	NUT, HEX., 6MM		A	K1	K2		2	94001-06008-0S	2829414
	NUT, HEX., 6MM		A	K1	K2		2	94001-06200-0S	2043255
	NUT, HEX., 6MM		A	K1	K2		2	94030-06000	1642693
20	WASHER, PLAIN, 5MM		A	K1	K2		1	94101-05000	0059055
21	WASHER, PLAIN 5MM			K1	K2		2	94101-05200	0059063
22	WASHER, PLAIN, 6MM		A	K1	K2		4	94101-06000	0059071
	WASHER, PLAIN, 6MM		A	K1	K2		4	94101-06080	3136074
	WASHER, PLAIN, 6MM		A	K1	K2		4	94101-06800	0345900

CONTENTS

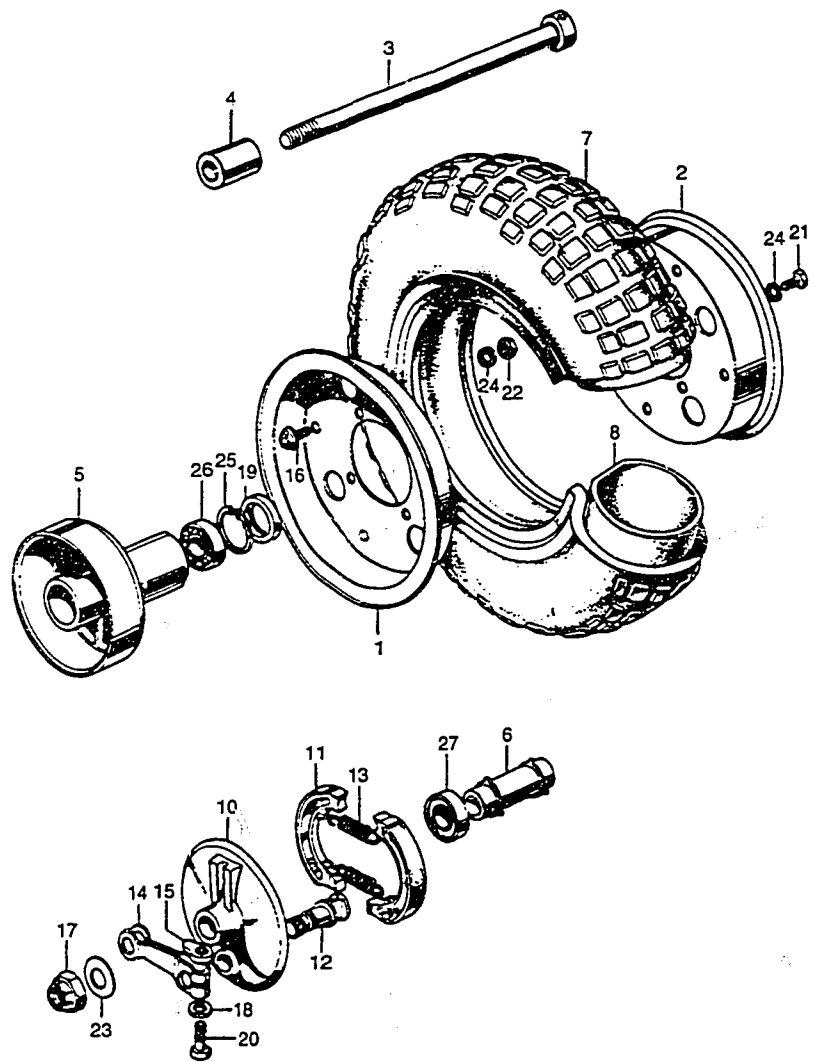
TITLE	PAGE	GRID
AIR CLEANER	66	D12
ALTERNATOR	36	C6
BATTERY	100	F5
BRAKE, RR, Z50AK2	88	E11
CAM CHAIN TENSIONER	12	B6
CAKSHAFT	10	B5
CARBURETOR SET	40	C8
CHANGE PEDAL	104	F7
CLUTCH	16	B8
CRANKCASE	14	B7
CRANKCASE COVER	22	B11
CRANKCASE COVER, L	36	C6
CRANKSHAFT	6	B3
CUSHION, FR	54	D6
CYLINDER	2	B1
CYLINDER HEAD	2	B1
FENDER, RR	96	F3
FORK, FR	50	D4
FRAME	66	D12
FUEL TANK	56	D7
GEAR SHIFT DRUM	32	C4
GEARSHIFT SPINDLE	30	C3
HANDLEBAR	44	D1
HEADLIGHT	92	F1
HEADLIGHT CASE	92	F1
KICK	104	F7
MUFFLER	70	E2
OIL PUMP	22	B11
SEAT	62	D10
STEP BAR	62	D10
TAILLIGHT	96	F3
TRANSMISSION	26	C1
VALVE	10	B5
WHEEL, FR	74	E4
WHEEL, RR	80	E7
WIRE HARNESS	100	F5

GRID **E3**

Z50A ENGINE NO.; Z50AE-100001 TO SUBSEQUENT
 Z50A FRAME NO.; Z50A-100001 TO 120087
 Z50AK1 ENGINE NO.; Z50AE-120088 TO SUBSEQUENT
 Z50AK1 FRAME NO.; Z50A-120088 TO 270235

Z50AK2 ENGINE NO.; Z50AE-270236 TO SUBSEQUENT
 Z50AK2 FRAME NO.; Z50A-270236 TO 387884

FRONT WHEEL



F14045208

Ref. No.	BLOCK NO.	F-8	Z50A			FRAME SERIAL NUMBER	QTY	REO	PART NUMBER	HONDA CODE
			A	K1	K2					
DESCRIPTION			FROM	TO						
1	RIM, R. WHEEL (CLOUD SILVER)	A					1	42701-045-670AU	0175364	
	RIM, R. WHEEL *NH35M* (CLOUD SILVER METALLIC)	A					1	42701-045-670ZC	2980977	
	RIM, R. WHEEL *NH35M* (CLOUD SILVER METALLIC)	A					1	42701-045-671ZA	3535622	
	RIM, R. WHEEL		K1	K2			1	42701-045-670S	0218768	
2	RIM, L. WHEEL (CLOUD SILVER)	A					1	42702-045-670AU	0175372	
	RIM, L. WHEEL *NH35M* (CLOUD SILVER METALLIC)	A					1	42702-045-670ZC	2976868	
	RIM, L. WHEEL *NH35M* (CLOUD SILVER METALLIC)	A					1	42702-045-671ZA	3527231	
	RIM, L. WHEEL		K1	K2			1	42702-045-670S	0218776	
3	AXLE, FR. WHEEL	A			108295		1	44301-045-000	0175422	
	AXLE, FR. WHEEL	A	K1	K2			1	44301-045-010	0181578	
4	COLLAR, FR. WHEEL SIDE	A	K1	K2			1	44311-045-670	0175430	
5	HUB, FR. WHEEL	A			100006		1	44600-045-671	0175448	
	HUB, FR. WHEEL		K1	K2	331273		1	44600-045-671	0175448	
	HUB, FR. WHEEL	A			100006		1	44600-045-672	0246017	
	HUB, FR. WHEEL		K1	K2	331273		1	44600-045-672	0246017	
	HUB, FR. WHEEL				331274		1	44600-045-672	0246017	
6	COLLAR, FR. AXLE DISTANCE	A			100006		1	44620-045-020	0175455	
	COLLAR, FR. AXLE DISTANCE		K1	K2			1	44620-045-020	0175455	
7	TIRE, WHEEL (NITTO) (3.50-8)	A	K1	K2			1	42711-130-672	0872382	
	TIRE, FR.	A	K1	K2			1	44711-045-671	0175174	
8	TUBE, 300/350-8	A	K1	K2			1	08400-12010	0646836	
	TUBE, TIRE, 3.00-8	A	K1	K2			1	42712-6C3-003	1790690	
	TUBE, TIRE, 3.00-8	A	K1	K2			1	42712-6C3-004	1704709	
	TUBE, TIRE (3.50-8)	A	K1	K2			1	44712-045-670	0175182	
	TUBE, WHEEL (BS) (3.50-8)	A	K1	K2			1	44712-120-003	0270934	
	TUBE, WHEEL (NITTO) (3.50-8)	A	K1	K2			1	44712-120-006	0270892	
10	PANEL, RR. BRAKE	A	K1	K2			1	45100-045-020	0175190	
	PANEL, RR. BRAKE *NOCODE* (NO COLOR NAME ASSIGNED)	A	K1	K2			1	45100-045-020ZA	0645325	

E4

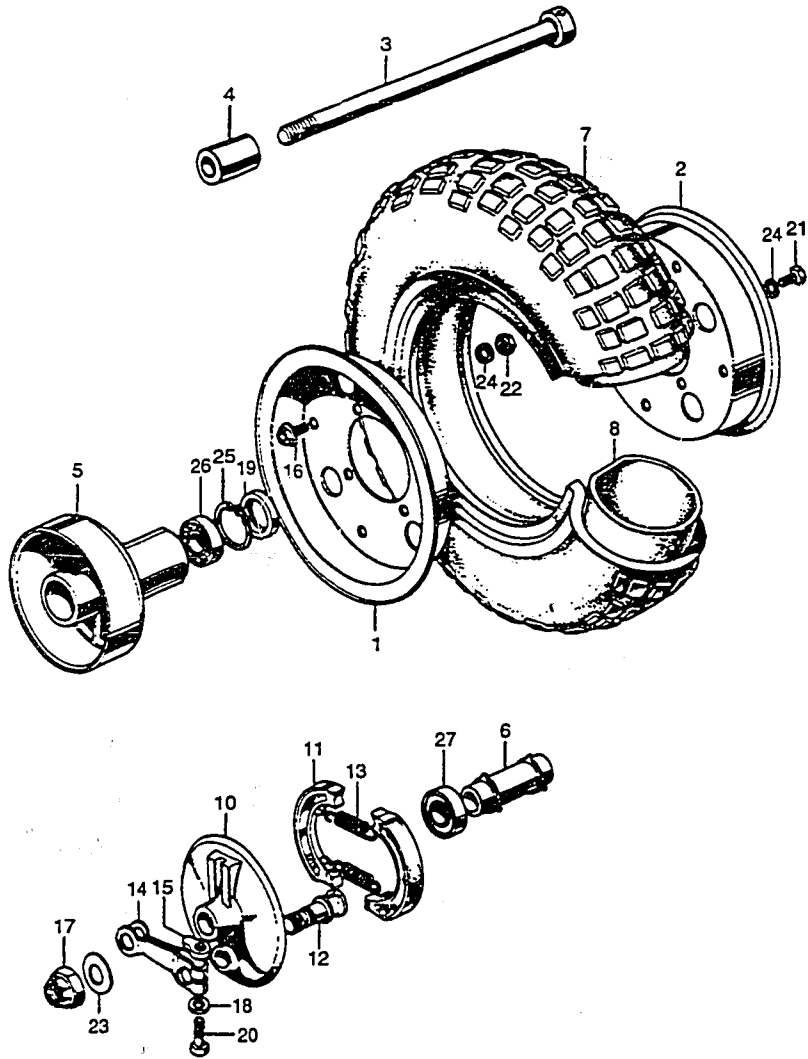
CONTENTS

TITLE	PAGE	GRID
AIR CLEANER	66	D12
ALTERNATOR	36	C6
BATTERY	100	F5
BRAKE, RR. Z50AK2	88	E11
CAM CHAIN TENSIONER	12	B6
CAMSHAFT	10	B5
CARBURETOR SET	40	C8
CHANGE PEDAL	104	F7
CLUTCH	16	B8
CRANKCASE	14	B7
CRANKCASE COVER	22	B11
CRANKCASE COVER, L.	36	C6
CRANKSHAFT	6	B3
CUSHION, FR.	54	D6
CYLINDER	2	B1
CYLINDER HEAD	2	B1
FENDER, RR.	96	F3
FORK, FR.	50	D4
FRAME	66	D12
FUEL TANK	56	D7
GEAR SHIFT DRUM	32	C4
GEARSHIFT SPINDLE	30	C3
HANDLEBAR	44	D1
HEADLIGHT	92	F1
HEADLIGHT CASE	92	F1
KICK	104	F7
MUFFLER	70	E2
OIL PUMP	22	B11
SEAT	62	D10
STEP BAR	62	D10
TALLIGHT	96	F3
TRANSMISSION	26	C1
VALVE	10	B5
WHEEL, FR.	74	E4
WHEEL, RR.	80	E7
WIRE HARNESS	100	F5

74 © AMERICAN HONDA MOTOR CO., LTD. 1994
 Z50A ENGINE NO.; Z50AE-100001 TO SUBSEQUENT
 Z50A FRAME NO.; Z50A-100001 TO 120087
 Z50AK1 ENGINE NO.; Z50AE-120088 TO SUBSEQUENT
 Z50AK1 FRAME NO.; Z50A-120088 TO 270235

Z50AK2 ENGINE NO.; Z50AE-270236 TO SUBSEQUENT
 Z50AK2 FRAME NO.; Z50A-270236 TO 387884

FRONT WHEEL



F14045208

A = Z50A
K1 = Z50AK1
K2 = Z50AK2

Ref. No.	BLOCK NO. DESCRIPTION	F-B	Z50A			FRAME SERIAL NUMBER		QTY	REO	PART NUMBER	HONDA CODE
			A	K1	K2	FROM	TO				
11	SHOE, BRAKE (SEE KIT P/N--END OF BLOCK)		A	K1	K2	-----	-----	2	45120-001-010	0009993	
12	CAM, RR. BRAKE		A	K1	K2	-----	-----	1	45131-045-000	0175208	
	CAM, FR. BRAKE		---	K1	K2	-----	-----	1	45131-045-010	0381285	
13	SPRING, BRAKE SHOE		A	K1	K2	-----	-----	2	45133-028-000	0166801	
14	ARM, FR. BRAKE		A	K1	K2	-----	-----	1	45410-045-670	0175216	
15	NUT, FR. BRAKE ARM SETTING		A	K1	K2	-----	-----	1	45436-001-000	0010058	
16	BOLT, SPLIT WHEEL		A	---	---	108296	-----	4	90194-567-000	0182089	
	BOLT, WHEEL RIM		---	K1	K2	-----	-----	4	90194-567-000	0182089	
	BOLT, HEX., 8X16		A	---	---	-----	108295	4	92000-08016	0054684	
	BOLT, HEX., 8X16		A	---	---	-----	108295	4	92000-08016-0A	0145433	
	BOLT, HEX., 8X16		A	---	---	-----	108295	4	92101-08016-0A	3391489	
	BOLT, HEX., 8X16		A	---	---	-----	108295	4	92200-08016-0A	0398966	
17	NUT, SELF LOCK, 12MM		A	---	---	108296	-----	1	90353-045-000	0181586	
	NUT, LOCK, 12MM		---	K1	K2	-----	-----	1	90353-045-000	0181586	
	NUT, LOCK, 12MM		A	---	---	-----	108295	1	90353-250-000	0051920	
18	WASHER, RR. BRAKE ARM		A	K1	K2	-----	-----	1	90525-001-000	0094839	
19	OIL SEAL, 21X35X7		A	K1	K2	-----	-----	1	91252-001-020	0012492	
	OIL SEAL, 21X35X5.5		A	K1	K2	-----	-----	1	91252-001-023	0271130	
20	BOLT, HEX., 6X25		A	K1	K2	-----	-----	1	92000-06025	0054320	
	BOLT, HEX., 6X25		A	K1	K2	-----	-----	1	92101-06025-0A	2206563	
21	BOLT, HEX., 8X16		A	K1	K2	-----	-----	4	92000-08016	0054684	
	BOLT, HEX., 8X16		A	K1	K2	-----	-----	4	92000-08016-0A	0145433	
	BOLT, HEX., 8X16		A	K1	K2	-----	-----	4	92101-08016-0A	3391489	
	BOLT, HEX., 8X16		A	K1	K2	-----	-----	4	92200-08016-0A	0398966	
22	NUT, HEX., 8MM		A	K1	K2	-----	-----	4	94030-08000	0114686	
23	WASHER, PLAIN, 12MM		A	K1	K2	-----	-----	1	94101-12000	0059139	
24	WASHER, SPRING, 8MM		A	K1	K2	-----	-----	8	94111-08000	0058982	
25	CIRCLIP, INTERNAL, 32MM		A	K1	K2	-----	-----	1	94520-32000	0175943	
26	BEARING, RADIAL BALL, 6201		A	K1	K2	-----	-----	1	96100-62010	0053215	
	BEARING, RADIAL BALL, 6201		A	K1	K2	-----	-----	1	96100-62010-00	0802678	
27	BEARING, RADIAL BALL, 6201U		A	K1	K2	-----	-----	1	96140-62010	0169557	

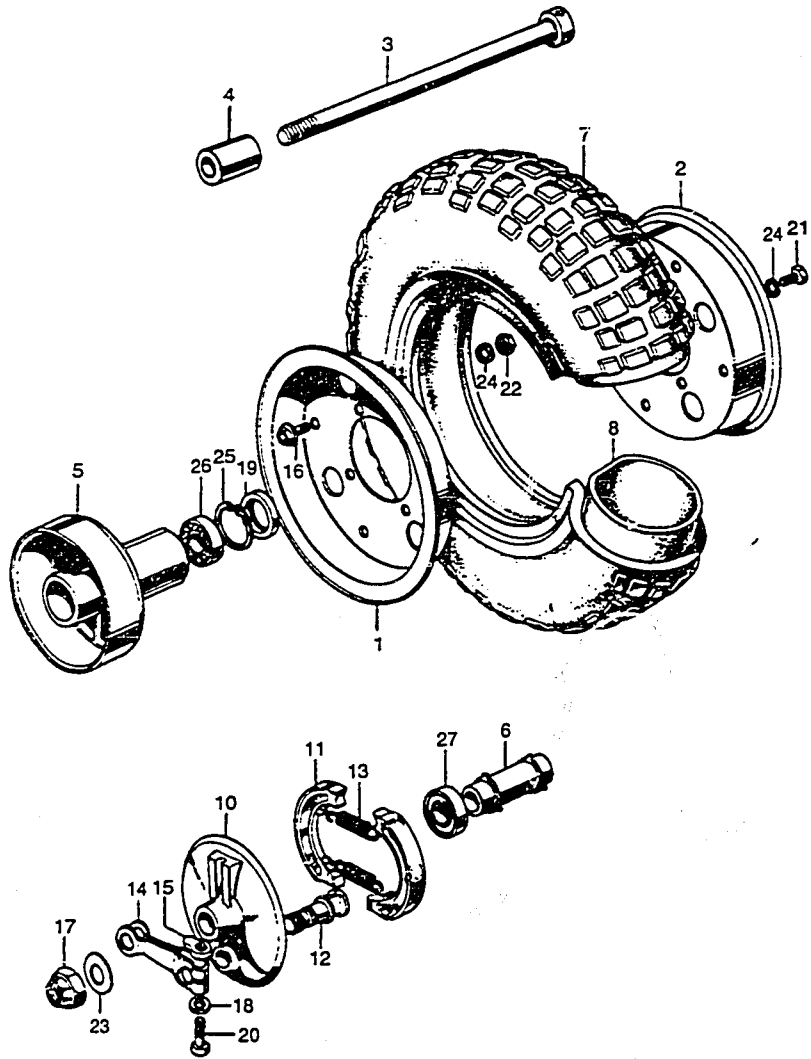
CONTENTS

TITLE	PAGE	GRID
AIR CLEANER	66	D12
ALTERNATOR	36	C6
BATTERY	100	F5
BRAKE, RR. Z50AK2	88	E11
CAM CHAIN TENSIONER	12	B6
CAMSHAFT	10	B5
CARBURETOR SET	40	C8
CHANGE PEDAL	104	F7
CLUTCH	16	B8
CRANKCASE	14	B7
CRANKCASE COVER	22	B11
CRANKCASE COVER, L.	36	C6
CRANKSHAFT	6	B3
CUSHION, FR.	54	D6
CYLINDER	2	B1
CYLINDER HEAD	2	B1
FENDER, FR.	96	F3
FORK, FR.	50	D4
FRAME	66	D12
FUEL TANK	56	D7
GEAR SHIFT DRUM	32	C4
GEARSHIFT SPINDLE	30	C3
HANDLEBAR	44	D1
HEADLIGHT	92	F1
HEADLIGHT CASE	92	F1
KICK	104	F7
MUFFLER	70	E2
OIL PUMP	22	B11
SEAT	62	D10
STEP BAR	62	D10
TAILLIGHT	96	F3
TRANSMISSION	26	C1
VALVE	10	B5
WHEEL, FR.	74	E4
WHEEL, RR.	80	E7
WIRE HARNESS	100	F5

76 © AMERICAN HONDA MOTOR CO., LTD. 1994
Z50A ENGINE NO.; Z50AE-100001 TO SUBSEQUENT
Z50A FRAME NO.; Z50A-100001 TO 120087
Z50AK1 ENGINE NO.; Z50AE-120088 TO SUBSEQUENT
Z50AK1 FRAME NO.; Z50A-120088 TO 270235

Z50AK2 ENGINE NO.; Z50AE-270236 TO SUBSEQUENT
Z50AK2 FRAME NO.; Z50A-270236 TO 387884

FRONT WHEEL



F14045208

A = Z50A
K1 = Z50AK1
K2 = Z50AK2

Ref. No.	BLOCK NO. DESCRIPTION	F-8	Z50A			FRAME SERIAL NUMBER	QTY REQ	PART NUMBER	HONDA CODE
			A	K	K				
			A	K1	K2				
27	BEARING, RADIAL BALL, 6201U		A	K1	K2	---	1	96140-62010-00	0722207
NI	BRAKE SHOE KIT		A	K1	K2	---	1	06450-GAG-003	4124822
	BRAKE SHOE KIT		A	K1	K2	---	1	06450-001-405	4510491
	BRAKE SHOE KIT		A	K1	K2	---	1	451A0-001-670	3529294

CONTENTS

TITLE	PAGE	GRID
AIR CLEANER	66	D12
ALTERNATOR	36	C6
BATTERY	100	F5
BRAKE, RR, Z50AK2	88	E11
CAM CHAIN TENSIONER	12	B6
CAMSHAFT	10	B5
CARBURETOR SET	40	C6
CHANGE PEDAL	104	F7
CLUTCH	16	B8
CRANKCASE	14	B7
CRANKCASE COVER	22	B11
CRANKCASE COVER, L	36	C6
CRANKSHAFT	6	B3
CUSHION, FR.	54	D6
CYLINDER	2	B1
CYLINDER HEAD	2	B1
FENDER, RR.	96	F3
FORK, FR.	50	D4
FRAME	66	D12
FUEL TANK	56	D7
GEAR SHIFT DRUM	32	C4
GEARSHIFT SPINDLE	30	C3
HANDLEBAR	44	D1
HEADLIGHT	92	F1
HEADLIGHT CASE	92	F1
KICK	104	F7
MUFFLER	70	E2
OIL PUMP	22	B11
SEAT	62	D10
STEP BAR	62	D10
TAILLIGHT	96	F3
TRANSMISSION	26	C1
VALVE	10	B5
WHEEL, FR.	74	E4
WHEEL, RR.	80	E7
WIRE HARNESS	100	F5

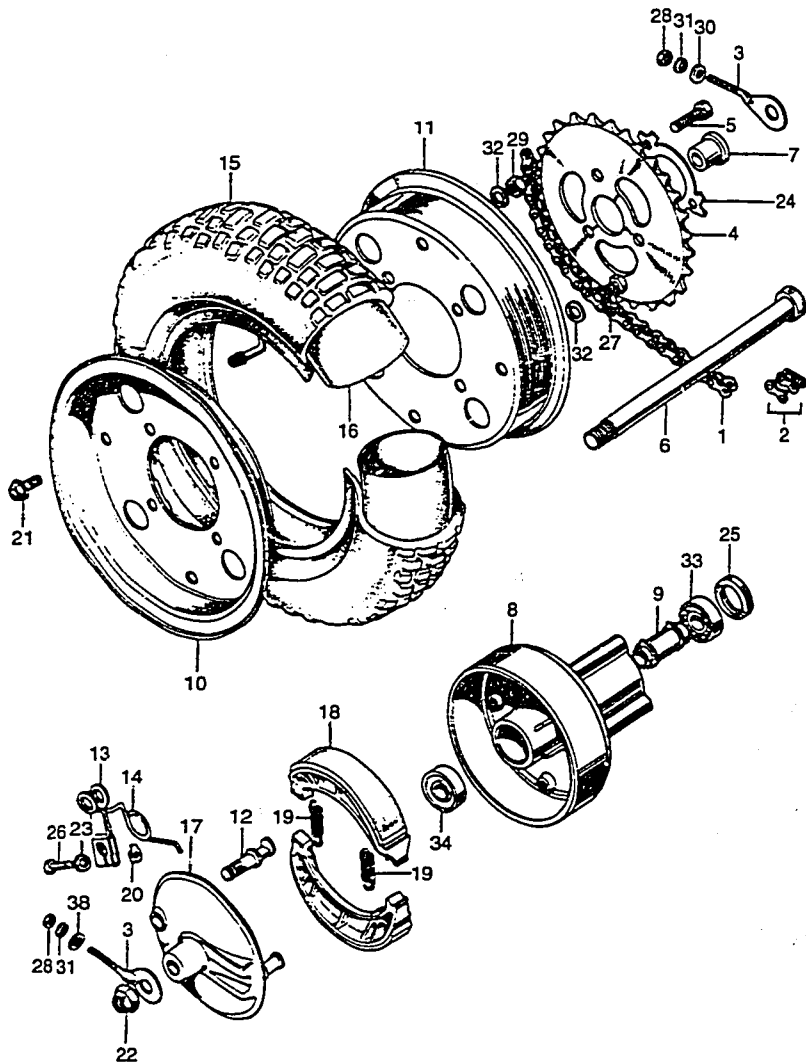
GRID

E6

Z50A ENGINE NO.; Z50AE-100001 TO SUBSEQUENT
Z50A FRAME NO.; Z50A-100001 TO 120087
Z50AK1 ENGINE NO.; Z50AE-120088 TO SUBSEQUENT
Z50AK1 FRAME NO.; Z50A-120088 TO 270235

Z50AK2 ENGINE NO.; Z50AE-270236 TO SUBSEQUENT
Z50AK2 FRAME NO.; Z50A-270236 TO 387884

REAR WHEEL



F14045209

A = Z50A
K1 = Z50AK1
K2 = Z50AK2

Ref. No.	BLOCK NO. DESCRIPTION	F-9	Z50A			FRAME SERIAL NUMBER	QTY	REO	PART NUMBER	HONDA CODE
			A	K1	K2					
						FROM	TO			
1	CHAIN, DRIVE		A					1	405W3-045-505	4133534
			A					(1)	405W3-045-505	4133534
	CHAIN, DRIVE (74L)		A					1	40530-045-670	0175554
	CHAIN, DRIVE (76L)		A					(1)	40530-045-811	0198820
	CHAIN, DRIVE			K1	K2			1	405W3-165-505	3516457
	CHAIN, DRIVE (74L)			K1	K2			1	40530-045-671	0182097
	CHAIN, DRIVE (76L)			K1	K2			(1)	40530-045-820	0182139
2	JOINT, DRIVE CHAIN		A					1	40531-045-010	0175570
	JOINT, DRIVE CHAIN			K1	K2			1	40531-045-671	0182105
	JOINT, DRIVE CHAIN (DAIDO)			K1	K2			1	40531-098-003	0247882
	JOINT, DRIVE CHAIN (DAIDO)			K1	K2			1	40531-153-003	0462523
3	ADJUSTER, R. RR. DRIVE CHAIN		A	K1	K2			2	40543-032-000	0175588
	ADJUSTER A, R. CHAIN		A	K1	K2			2	95014-10100	0268888
4	SPROCKET, FINAL DRIVEN (34T)		A				106900	1	41201-045-670	0175596
	SPROCKET, FINAL DRIVEN (35T)		A				106901	1	41201-045-671	0178087
	SPROCKET, FINAL DRIVEN (38T)		A					(1)	41201-045-811	0175604
	SPROCKET, FINAL DRIVEN (35T)			K1			237607	1	41201-045-672	0182113
	SPROCKET, FINAL DRIVEN (35T)			K1	K2			1	41201-045-673	0204826
	SPROCKET, FINAL DRIVEN (38T)			K1			237607	(1)	41201-045-820	0182121
	SPROCKET, FINAL DRIVEN (38T)			K1			237608	(1)	41201-045-821	0204867
	SPROCKET, FINAL DRIVEN (38T)			K2				(1)	41201-045-821	0204867
5	BOLT, DRIVE SPROCKET CLAMP		A				106604	3	41209-032-000	0175315
	BOLT, HEX., 8X24		A				106604	3	92000-08024	0108852
	BOLT, HEX., 8X24		A				106604	3	92000-08024-0A	0512350
	BOLT, HEX., 8X25		A				106604	3	92000-08025	0054742
	BOLT, HEX., 8X25		A				106604	3	92000-08025-0A	0159350
	BOLT, DRIVE SPROCKET CLAMP		A				106604	3	92000-08026	0108860
	BOLT, HEX., 8X25		A				106604	3	92101-08025-0A	2651537
	BOLT, FINAL DRIVEN SPROCKET			K1	K2			3	90170-045-000	0204834
				K1			237608	3	90170-045-000	0204834
6	AXLE, RR. WHEEL		A				108295	1	42301-045-000	0175323
	AXLE, RR. WHEEL		A	K1	K2			1	42301-045-010	0181602
	AXLE, FR. WHEEL		A	K1	K2			1	44301-074-000	0183400

E7

CONTENTS

TITLE	PAGE	GRID
AIR CLEANER	66	D12
ALTERNATOR	36	C6
BATTERY	100	F5
BRAKE, RR. Z50AK2	88	E11
CAM CHAIN TENSIONER	12	B6
CAMSHAFT	10	B5
CARBURETOR SET	40	C8
CHANGE PEDAL	104	F7
CLUTCH	16	B8
CRANKCASE	14	B7
CRANKCASE COVER	22	B11
CRANKCASE COVER, L.	36	C6
CRANKSHAFT	6	B3
CUSHION, FR.	54	D6
CYLINDER	2	B1
CYLINDER HEAD	2	B1
FENDER, RR.	96	F3
FORK, FR.	50	D4
FRAME	66	L12
FUEL TANK	56	D7
GEAR SHIFT DRUM	32	C4
GEARSHIFT SPINDLE	30	C3
HANDLEBAR	44	D1
HEADLIGHT	92	F1
HEADLIGHT CASE	92	F1
KICK	104	F7
MUFFLER	70	E2
OIL PUMP	22	B11
SEAT	62	D10
STEP BAR	62	D10
TAILLIGHT	96	F3
TRANSMISSION	26	C1
VALVE	10	B5
WHEEL, FR.	74	E4
WHEEL, RR.	80	E7
WIRE HARNESS	100	F5

GRID

E7

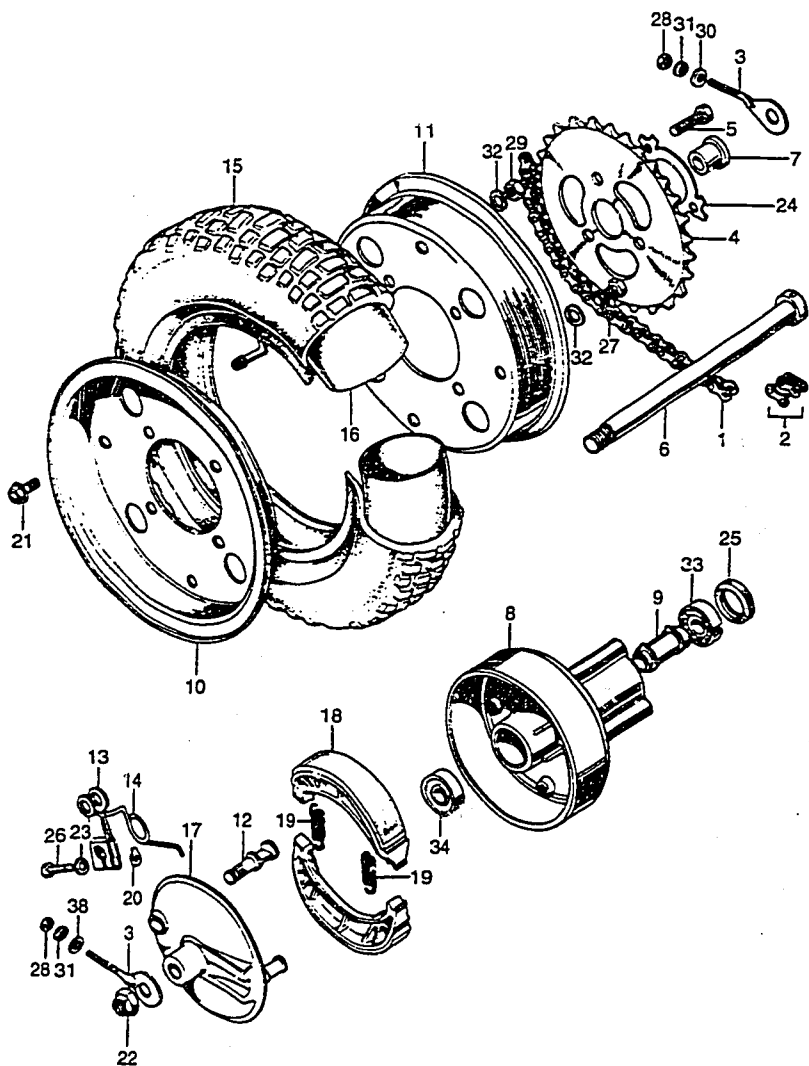
© AMERICAN HONDA MOTOR CO., LTD. 1994 81

80 © AMERICAN HONDA MOTOR CO., LTD. 1994

Z50A ENGINE NO.; Z50AE-100001 TO SUBSEQUENT
Z50A FRAME NO.; Z50A-100001 TO 120087
Z50AK1 ENGINE NO.; Z50AE-120088 TO SUBSEQUENT
Z50AK1 FRAME NO.; Z50A-120088 TO 270235

Z50AK2 ENGINE NO.; Z50AE-270236 TO SUBSEQUENT
Z50AK2 FRAME NO.; Z50A-270236 TO 387884

REAR WHEEL



F14045204

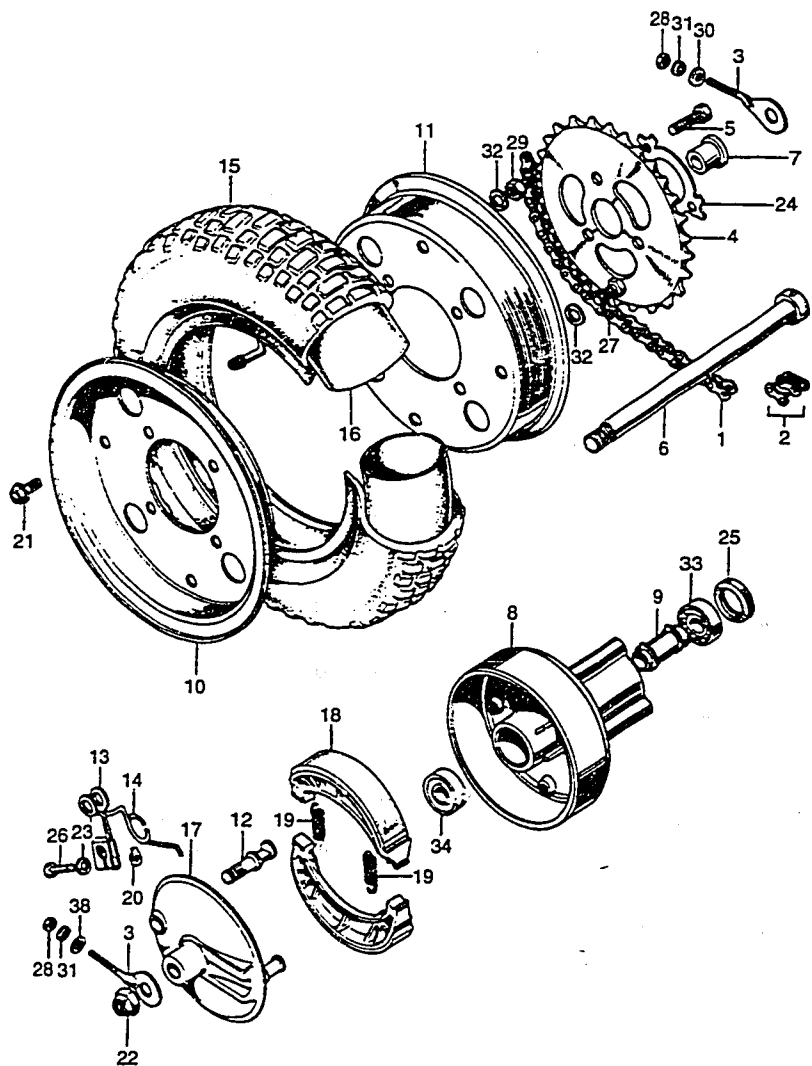
Ref. No.	BLOCK NO. DESCRIPTION	F-9	Z50A			FRAME SERIAL NUMBER	QTY	REQ	PART NUMBER	HONDA CODE
			A	K1	K2					
			FROM	TO						
7	COLLAR, RR. WHEEL SIDE		A	K1	K2			1	42311-045-000	0175331
8	HUB COMP., RR. WHEEL		A					1	42601-045-671	0175349
				K1		237607		1	42601-045-671	0175349
	HUB COMP., RR. WHEEL			K1	K2	331273		1	42601-045-672	0204842
				K1		237608		1	42601-045-672	0204842
	HUB COMP., RR. WHEEL			K1	K2	331273		1	42601-045-673	0246025
				K1		237608		1	42601-045-673	0246025
				K2		331274		1	42601-045-673	0246025
	HUB COMP., RR. WHEEL			K1	K2	331273		1	42601-120-000	0271668
				K1		237608		1	42601-120-000	0271668
				K2		331274		1	42601-120-000	0271668
	HUB, RR. WHEEL *NH35M* (CLOUD SILVER METALLIC)			K1	K2	331273		1	42601-120-000ZA	0496893
				K1		237608		1	42601-120-000ZA	0496893
				K2		331274		1	42601-120-000ZA	0496893
	HUB, RR. WHEEL *NH35M* (CLOUD SILVER METALLIC)			K1	K2	331273		1	42601-120-010ZC	2944643
				K1		237608		1	42601-120-010ZC	2944643
				K2		331274		1	42601-120-010ZC	2944643
9	COLLAR, RR. AXLE DISTANCE		A			100006		1	42620-045-020	0175356
				K1	K2			1	42620-045-020	0175356
10	RIM, R. WHEEL (CLOUD SILVER)		A					1	42701-045-670AU	0175364
	RIM, R. WHEEL *NH35M* (CLOUD SILVER METALLIC)		A					1	42701-045-670ZC	2960977
	RIM, R. WHEEL *NH35M* (CLOUD SILVER METALLIC)		A					1	42701-045-671ZA	3535622
	RIM, R. WHEEL			K1	K2			1	42701-045-670S	0218768
11	RIM, L. WHEEL (CLOUD SILVER)		A					1	42702-045-670AU	0175372
	RIM, L. WHEEL *NH35M* (CLOUD SILVER METALLIC)		A					1	42702-045-670ZC	2976868
	RIM, L. WHEEL *NH35M* (CLOUD SILVER METALLIC)		A					1	42702-045-671ZA	3527231
	RIM, L. WHEEL			K1	K2			1	42702-045-670S	0218776
12	CAM, RR. BRAKE		A	K1	K2			1	43141-045-000	0175380
13	ARM, RR. BRAKE		A	K1	K2			1	43410-045-670	0175398
14	SPRING, RR. BRAKE ARM RETURN		A					1	43412-045-670	0175406
15	TIRE, WHEEL (NITTO) (3.50-8)		A	K1	K2			1	42711-130-672	0872382

© AMERICAN HONDA MOTOR CO. LTD. 1994

CONTENTS

TITLE	PAGE	GRD
AIR CLEANER	66	D12
ALTERNATOR	36	C6
BATTERY	100	F5
BRAKE, RR. Z50AK2	88	E11
CAM CHAIN TENSIONER	12	B6
CAMSHAFT	10	B5
CARBURETOR SET	40	C8
CHANGE PEDAL	104	F7
CLUTCH	16	B8
CRANKCASE	14	B7
CRANKCASE COVER	22	B11
CRANKCASE COVER, L.	36	C6
CRANKSHAFT	3	B3
CUSHION, FR.	54	D6
CYLINDER	2	B1
CYLINDER HEAD	2	B1
FENDER, RR.	96	F3
FORK, FR.	50	D4
FRAME	66	D12
FUEL TANK	56	D7
GEAR SHIFT DRUM	32	C4
GEARSHIFT SPINDLE	30	C3
HANDLEBAR	44	D1
HEADLIGHT	82	F1
HEADLIGHT CASE	92	F1
KICK	104	F7
MUFFLER	70	E2
OIL PUMP	22	B11
SEAT	62	D10
STEP BAR	62	D10
TAILLIGHT	96	F3
TRANSMISSION	26	C1
VALVE	10	B5
WHEEL, FR.	74	E4
WHEEL, RR.	80	E7
WIRE HARNESS	100	F5

REAR WHEEL



F14045209

A = Z50A
K1 = Z50AK1
K2 = Z50AK2

Ref. No.	BLOCK NO.	F-9	Z50A			FRAME SERIAL NUMBER		QTY REQ	PART NUMBER	HONDA CODE
			A	K1	K2	FROM	TO			
15	TIRE, FR.		A	K1	K2			1	44711-045-671	0175174
16	TUBE, 300/350-8		A	K1	K2			1	08400-12010	0646836
	TUBE, TIRE, 3.00-8		A	K1	K2			1	42712-6C3-003	1790690
	TUBE, TIRE, 3.00-8		A	K1	K2			1	42712-6C3-004	1704709
	TUBE, TIRE (3.50-8)		A	K1	K2			1	44712-045-670	0175182
	TUBE, WHEEL (BS) (3.50-8)		A	K1	K2			1	44712-120-003	0270934
	TUBE, WHEEL (NITTO) (3.50-8)		A	K1	K2			1	44712-120-006	0270892
17	PANEL, RR. BRAKE		A	K1	K2			1	45100-045-020	0175190
	PANEL, RR. BRAKE *NOCODE* (NO COLOR NAME ASSIGNED)		A	K1	K2			1	45100-045-020ZA	0645325
18	SHOE, BRAKE (SEE KIT P/N-END OF BLOCK)		A	K1	K2			2	45120-001-010	0009993
19	SPRING, BRAKE SHOE		A	K1	K2			2	45133-028-000	0166801
20	NUT, FR. BRAKE ARM SETTING		A	K1	K2			1	45436-001-000	0010058
21	BOLT, SPLIT WHEEL		A			108296		4	90194-567-000	0182089
				K1	K2			4	90194-567-000	0182089
	BOLT, WHEEL RIM		A			108296		4	90194-567-010	0204719
				K1	K2			4	90194-567-010	0204719
	BOLT, HEX., 8X16		A			108295		4	92000-08016	0054684
	BOLT, HEX., 8X16		A			108295		4	92000-08016-0A	0145433
	BOLT, HEX., 8X16		A			108295		4	92101-08016-0A	3391489
	BOLT, HEX., 8X16		A			108295		4	92200-08016-0A	0398966
22	NUT, SELF LOCK, 12MM		A			108296		1	90353-045-000	0181586
				K1	K2			1	90353-045-000	0181586
	NUT, LOCK, 12MM		A			108295		1	90353-250-000	0051920
23	WASHER, RR. BRAKE ARM		A	K1	K2			1	90525-001-000	0094839
24	WASHER, TONGUED, 8MM		A			106605	237607	1	90529-045-670	0178095
	WASHER, TONGUED, 8MM		A			106605	237607	1	90529-045-671	0204859
				K1	K2			1	90529-045-671	0204859
				K1		237608		1	90529-045-671	0204859
	WASHER, TOOTHED		A			106604		3	90552-001-000	0012477
	WASHER B, TONGUED		A	K1		106605	237607	1	94108-21000	0271106
				K1	K2			1	94108-21000	0271106
				K1		237608		1	94108-21000	0271106
25	SEAL, OIL, 18X32X8		A	K1	K2			1	91251-045-005	0174953

CONTENTS

TITLE	PAGE	GRID
AIR CLEANER	66	D12
ALTERNATOR	36	C6
BATTERY	100	F5
BRAKE, RR. Z50AK2	88	E11
CAM CHAIN TENSIONER	12	B6
CAKSHAFT	10	B5
CARBURETOR SET	40	C8
CHANGE PEDAL	104	F7
CLUTCH	16	B8
CRANKCASE	14	B7
CRANKCASE COVER	22	E11
CRANKCASE COVER, L	36	C6
CFANKSHAFT	6	B3
CUSHION, FR.	54	D6
CYLINDER	2	B1
CYLINDER HEAD	2	B1
FENDER, FR.	96	F3
FORK, FR.	50	D4
FRAME	66	D12
FUEL TANK	56	D7
GEAR SHIFT DRUM	32	C4
GEARSHIFT SPINDLE	30	C3
HANDLEBAR	44	D1
HEADLIGHT	92	F1
HEADLIGHT CASE	92	F1
KICK	104	F7
MUFFLER	70	E2
OIL PUMP	22	B11
SEAT	62	D10
STEP BAR	62	D10
TAILLIGHT	96	F3
TRANSMISSION	26	C1
VALVE	10	B5
WHEEL, FR.	74	E4
WHEEL, RR.	80	E7
WIRE HARNESS	100	F5

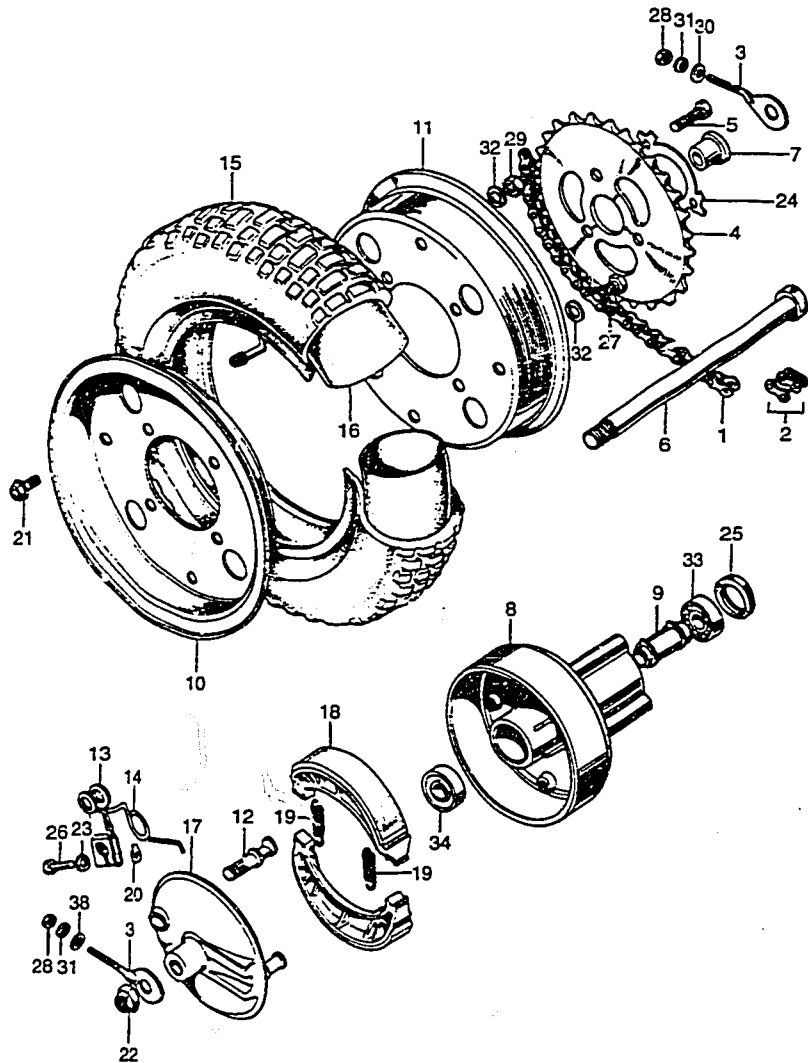
GRID

E9

Z50A ENGINE NO.; Z50AE-100001 TO SUBSEQUENT
Z50A FRAME NO.; Z50A-100001 TO 120087
Z50AK1 ENGINE NO.; Z50AE-120088 TO SUBSEQUENT
Z50AK1 FRAME NO.; Z50A-120088 TO 270235

Z50AK2 ENGINE NO.; Z50AE-270236 TO SUBSEQUENT
Z50AK2 FRAME NO.; Z50A-270236 TO 387884

REAR WHEEL



F14045209

A = Z50A
K1 = Z50AK1
K2 = Z50AK2

Ref. No.	BLOCK NO. DESCRIPTION	F-9	Z50A			FRAME SERIAL NUMBER		QTY REQ	PART NUMBER	HONDA CODE
			A	K1	K2	FROM	TO			
26	BOLT, HEX., 6X25		A	K1	K2			1	92000-06025	0054320
	BOLT, HEX., 6X25		A	K1	K2			1	92101-06025-0A	2206563
27	BOLT, HEX., 8X16		A	K1	K2			4	92000-08016	0054684
	BOLT, HEX., 8X16		A	K1	K2			4	92000-08016-0A	0145433
	BOLT, HEX., 8X16		A	K1	K2			4	92101-08016-0A	3391489
	BOLT, HEX., 8X16		A	K1	K2			4	92200-08016-0A	0398966
28	NUT, HEX., 6MM		A	K1	K2			2	90310-KA3-711	1553916
	NUT, HEX., 6MM		A	K1	K2			2	94000-06000-0S	1391283
	NUT, HEX., 6MM		A	K1	K2			2	94001-06000	0058016
	NUT, HEX., 6MM		A	K1	K2			2	94001-06000-0S	0156067
	NUT, HEX., 6MM		A	K1	K2			2	94001-06008-0S	2829414
	NUT, HEX., 6MM		A	K1	K2			2	94001-06200-0S	2043255
	NUT, HEX., 6MM		A	K1	K2			2	94030-06000	1642693
29	NUT, HEX., 8MM		A	K1	K2			4	94030-08000	0114686
30	WASHER, PLAIN, 6MM		A	K1	K2			2	94101-06000	0059071
	WASHER, PLAIN, 6MM		A	K1	K2			2	94101-06080	3136074
	WASHER, PLAIN, 6MM		A	K1	K2			2	94101-06800	0345900
31	WASHER, SPRING, 6MM		A	K1	K2			2	94111-06000	0058974
32	WASHER, SPRING, 8MM		A	K1	K2			8	94111-08000	0058982
33	BEARING, RADIAL BALL, 6201		A	K1	K2			1	96100-62010	0053215
	BEARING, RADIAL BALL, 6201		A	K1	K2			1	96100-62010-00	0802678
34	BEARING, RADIAL BALL, 6201U		A	K1	K2			1	96140-62010	0169557
	BEARING, RADIAL BALL, 6201U		A	K1	K2			1	96140-62010-00	0722207
NI	BRAKE SHOE KIT		A	K1	K2			1	06450-GAG-003	4124822
	BRAKE SHOE KIT		A	K1	K2			1	06450-001-405	4510491
	BRAKE SHOE KIT		A	K1	K2			1	451A0-001-670	3529294

E10

CONTENTS

TITLE	PAGE	GRID
AIR CLEANER	66	D12
ALTERNATOR	36	C6
BATTERY	100	F5
BRAKE, RR, Z50AK2	88	E11
CAI, CHAIN TENSIONER	12	B6
CAMSHAFT	10	B5
CARBURETOR SET	40	C8
CHANGE PEDAL	104	F7
CLUTCH	16	B8
CRANKCASE	14	B7
CRANKCASE COVER	22	B11
CRANKCASE COVER, L	36	C6
CRANKSHAFT	6	B3
CUSHION, FR.	54	D6
CYLINDER	2	B1
CYLINDER HEAD	2	B1
FENDER, RR.	96	F3
FORK, FR.	50	D4
FRAME	66	D12
FUEL TANK	56	D7
GEAR SHIFT DRUM	32	C4
GEARSHIFT SPINDLE	30	C3
HANDLEBAR	44	D1
HEADLIGHT	92	F1
HEADLIGHT CASE	92	F1
KICK	104	F7
MUFFLER	70	E2
OIL PUMP	22	B11
SEAT	62	D10
STEP BAR	62	D10
TAILLIGHT	96	F3
TRANSMISSION	26	C1
VALVE	10	B5
WHEEL, FR.	74	E4
WHEEL, RR.	80	E7
WIRE HARNESS	100	F5

GRID **E10**

86

© AMERICAN HONDA MOTOR CO., LTD. 1994

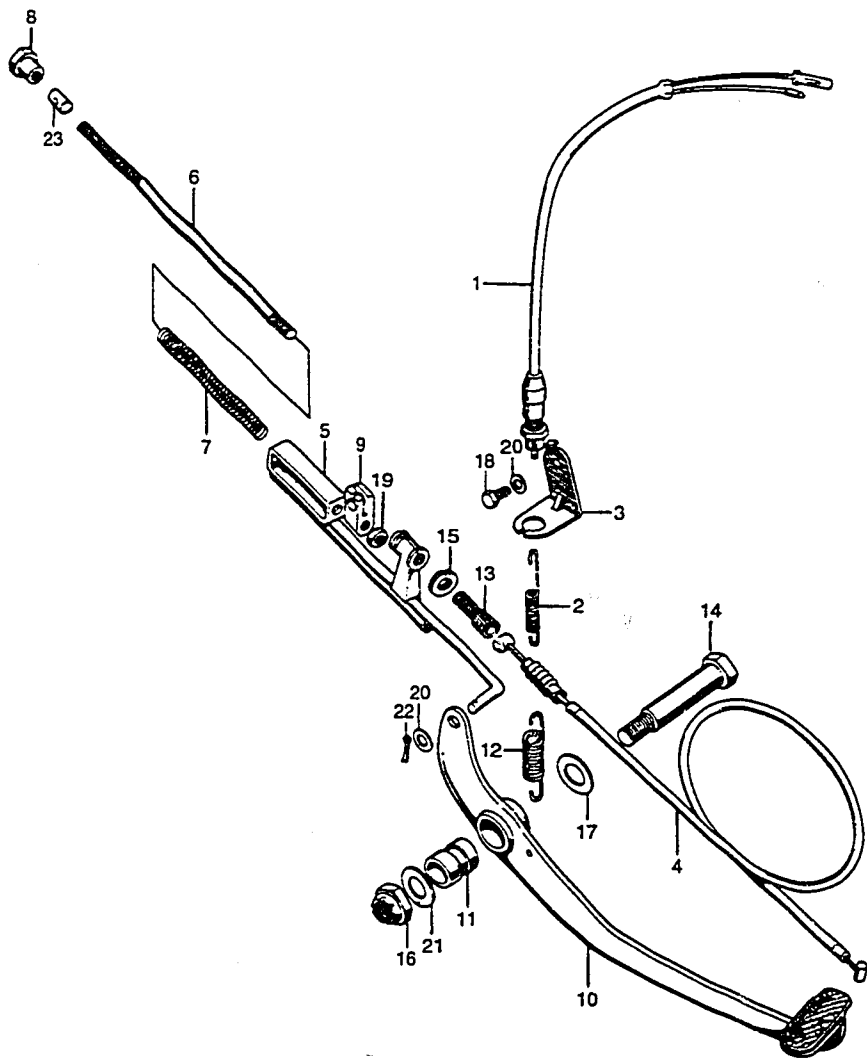
Z50A ENGINE NO.; Z50AE-100001 TO SUBSEQUENT
Z50A FRAME NO.; Z50A-100001 TO 120087
Z50AK1 ENGINE NO.; Z50AE-120088 TO SUBSEQUENT
Z50AK1 FRAME NO.; Z50A-120088 TO 270235

Z50AK2 ENGINE NO.; Z50AE-270236 TO SUBSEQUENT
Z50AK2 FRAME NO.; Z50A-270236 TO 387884

© AMERICAN HONDA MOTOR CO., LTD. 1994

87

Z50AK2 - REAR BRAKE



F14045210

Ref. No.	BLOCK NO. DESCRIPTION	F-10	Z50A			FRAME SERIAL NUMBER	QTY REQ	PART NUMBER	HONDA CODE
			A	K1	K2				
			FROM	TO					
1	SWITCH ASSY., RR. STOP SWITCH ASSY., STOP			K2			1	35350-MA1-405	3811825
2	SPRING, STOP SWITCH			K2			1	35357-045-720	0218842
3	BRACKET, STOP SWITCH			K2			1	35358-045-720	0218859
4	CABLE COMP., RR. BRAKE CABLE COMP., RR. BRAKE			K2		336883	1	43450-045-000	0218974
5	ROD A, RR. BRAKE			K2			1	43450-045-010	0252841
6	ROD B, RR. BRAKE			K2			1	43450-045-010	0252841
7	SPRING, RR. BRAKE ROD SPRING A, BRAKE ROD SPRING, BRAKE ROD			K2		382794	1	43451-045-671	0218867
8	JOINT, RR. BRAKE ROD JOINT, BRAKE ARM JOINT A, BRAKE ARM JOINT A, BRAKE ARM			K2			1	43472-212-000	0051102
9	NUT, RR. BRAKE ADJUSTING NUT A, BRAKE ROD ADJUSTING			K2		382794	1	43473-045-670	0218883
10	PEDAL, BRAKE			K2			1	45461-001-000	0010199
11	COLLAR, BRAKE PEDAL PIVOT			K2		382794	1	45461-001-000	0010199
12	SPRING, BRAKE PEDAL			K2		382794	1	95015-31000	0271064
13	BOLT, WIRE ADJUSTING			K2		382794	1	95015-31001	0433961
14	BOLT, RR. BRAKE PIVOT			K2		382794	1	45462-028-000	0118836
15	NUT, FIXING NUT, FIXING			K2		382794	1	95015-41000	0301499
16	NUT, SELF LOCK, 12MM			K2		382794	1	95015-41000	0301499
17	WASHER, RR. SWINGARM PIVOT BOLT			K2			1	46500-045-671	0218909
18	BOLT, HEX., 6X12 BOLT, HEX., 6X12 BOLT, HEX., 6X12			K2			1	46506-045-720	0211060
19	NUT, HEX., 6MM NUT, HEX., 6MM			K2			1	46514-045-720	0218917
				K2			1	53192-268-000	0047258
				K2			1	90321-268-000	0051904
				K2			1	90321-968-000	1550763
				K2			1	90353-045-000	0181586
				K2			1	90526-268-000	0052076
				K2			1	92000-06012	0054197
				K2			1	92101-06012	2738821
				K2			1	92101-06012-0A	3591500
				K2			1	90310-KA3-711	1553916
				K2			1	94000-06000-0S	1391283

CONTENTS

TITLE	PAGE	GRID
AIR CLEANER	66	D12
ALTERNATOR	36	C6
BATTERY	100	F5
BRAKE, RR. Z50AK2	88	E11
CAM CHAIN TENSIONER	12	B6
CAMSHAFT	10	B5
CARBURETOR SET	40	C8
CHANGE PEDAL	104	F7
CLUTCH	16	B8
CRANKCASE	14	B7
CRANKCASE COVER	22	B11
CRANKCASE COVER, L.	36	C6
CRANKSHAFT	6	B3
CUSHION, FR.	54	D6
CYLINDER	2	B1
CYLINDER HEAD	2	B1
FENDER, RR.	96	F3
FORK, FR.	50	D4
FRAME	66	D12
FUEL TANK	56	D7
GEAR SHIFT DRUM	32	C4
GEARSHIFT SPINDLE	30	C3
HANDLEBAR	44	D1
HEADLIGHT	92	F1
HEADLIGHT CASE	92	F1
KICK	104	F7
MUFFLER	70	E2
OIL PUMP	22	B11
SEAT	62	D10
STEP BAR	62	D10
TAILLIGHT	96	F3
TRANSMISSION	26	C1
VALVE	10	B5
WHEEL, FR.	74	E4
WHEEL, RR.	80	E7
WIRE HARNESS	100	F5

88 © AMERICAN HONDA MOTOR CO., LTD. 1994

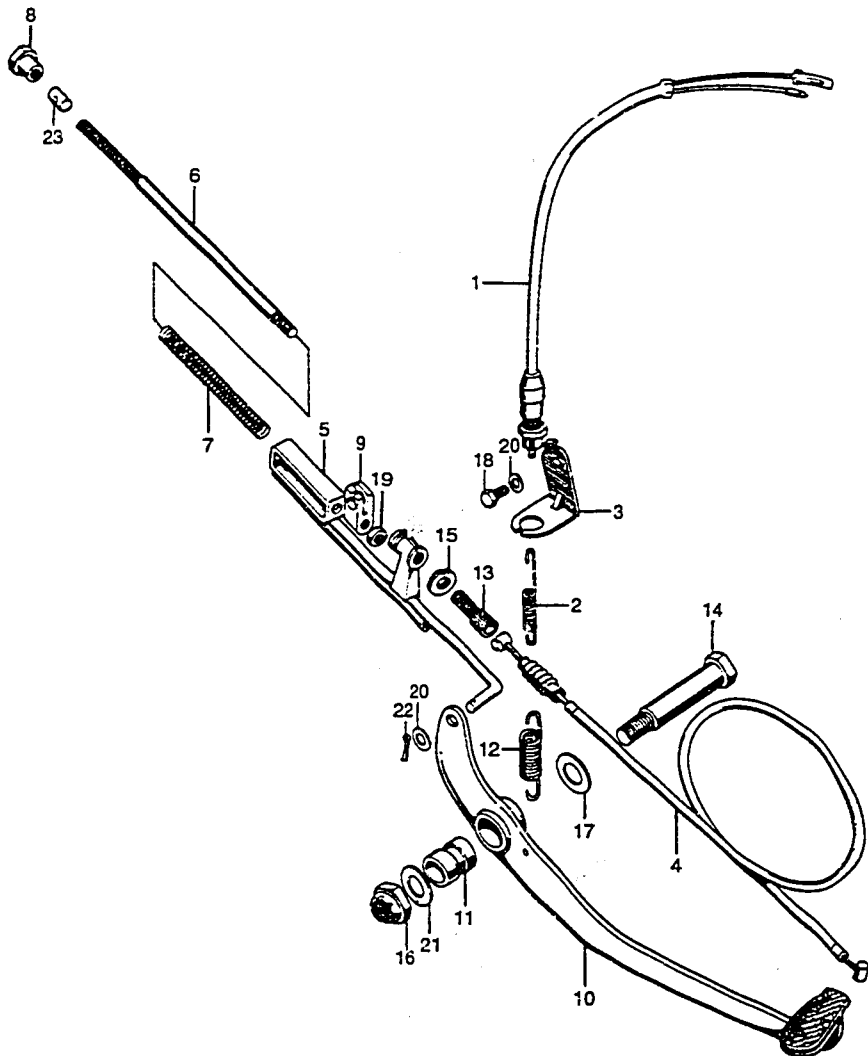
Z50A ENGINE NO.; Z50AE-100001 TO SUBSEQUENT
 Z50A FRAME NO.; Z50A-100001 TO 120087
 Z50AK1 ENGINE NO.; Z50AE-120088 TO SUBSEQUENT
 Z50AK1 FRAME NO.; Z50A-120088 TO 270235

Z50AK2 ENGINE NO.; Z50AE-270236 TO SUBSEQUENT
 Z50AK2 FRAME NO.; Z50A-270236 TO 387884

E11

© AMERICAN HONDA MOTOR CO., LTD. 1994 89

Z50AK2 - REAR BRAKE



F14045210

A = Z50A
K1 = Z50AK1
K2 = Z50AK2

Ref. No.	BLOCK NO. F-10	Z50A			FRAME SERIAL NUMBER		QTY REQ	PART NUMBER	HONDA CODE
		A	K1	K2	FROM	TO			
19	NUT, HEX., 6MM			K2			1	94001-06000	0058016
	NUT, HEX., 6MM			K2			1	94001-06000-0S	0156067
	NUT, HEX., 6MM			K2			1	94001-06008-0S	2829414
	NUT, HEX., 6MM			K2			1	94001-06200-0S	2043255
	NUT, HEX., 6MM			K2			1	94030-06000	1642693
20	WASHER, PLAIN, 6MM			K2			2	94101-06000	0059071
	WASHER, PLAIN, 6MM			K2			2	94101-06080	3136074
	WASHER, PLAIN, 6MM			K2			2	94101-06800	0345900
21	WASHER, PLAIN, 12MM			K2			1	94101-12000	0059139
22	PIN, COTTER 2.0x15			K2			1	94201-20150	0058347
23	JOINT A, BRAKE ARM			K2			1	95015-31000	0271064
	JOINT A, BRAKE ARM			K2			1	95015-31001	0433961

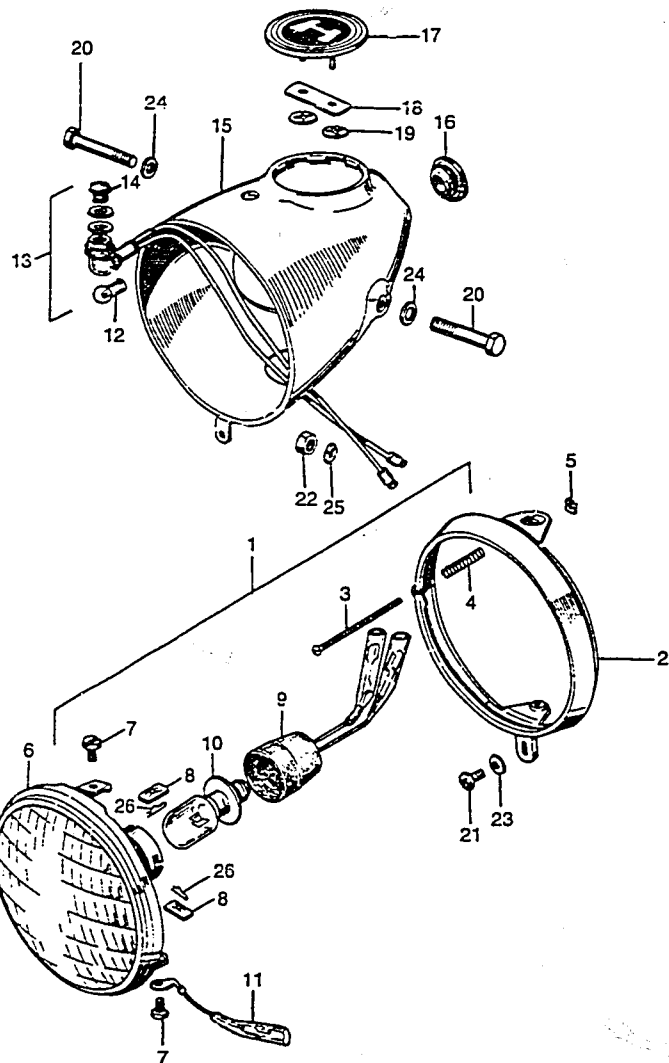
CONTENTS

TITLE	PAGE	GRID
AIR CLEANER	66	D12
ALTERNATOR	36	C6
BATTERY	100	F5
BRAKE, RR Z50AK2	88	E11
CAM CHAIN TENSIONER	12	B6
CAMSHAFT	10	B5
CARBURETOR SET	40	C8
CHANGE PEDAL	104	F7
CLUTCH	16	B8
CRANKCASE	14	B7
CRANKCASE COVER	22	B11
CRANKCASE COVER, L	36	C6
CRANKSHAFT	6	B3
CUSHION, FR.	54	D6
CYLINDER	2	B1
CYLINDER HEAD	2	B1
FENDER, RR	96	F3
FORK, FR.	50	D4
FRAME	66	D12
FUEL TANK	56	D7
GEAR SHIFT DRUM	32	C4
GEARSHIFT SPINDLE	30	C3
HANDLEBAR	44	D1
HEADLIGHT	92	F1
HEADLIGHT CASE	92	F1
KICK	104	F7
MUFFLER	70	E2
OIL PUMP	22	B11
SEAT	62	D10
STEP BAR	62	D10
TAILLIGHT	96	F3
TRANSMISSION	26	C1
VALVE	10	B5
WHEEL, FR.	74	E4
WHEEL, FR.	80	E7
WIRE HARNESS	100	F5

90 © AMERICAN HONDA MOTOR CO., LTD. 1994
Z50A ENGINE NO.; Z50AE-100001 TO SUBSEQUENT
Z50A FRAME NO.; Z50A-100001 TO 120087
Z50AK1 ENGINE NO.; Z50AE-120088 TO SUBSEQUENT
Z50AK1 FRAME NO.; Z50A-120088 TO 270235

Z50AK2 ENGINE NO.; Z50AE-270236 TO SUBSEQUENT
Z50AK2 FRAME NO.; Z50A-270236 TO 387884

HEADLIGHT • HEADLIGHT CASE



F14045211

Ref. No.	BLOCK NO. DESCRIPTION	Z50A			FRAME SERIAL NUMBER	QTY REQ	PART NUMBER	HONDA CODE
		A	K 1	K 2				
		A = Z50A K1 = Z50AK1 K2 = Z50AK2						
					FROM	TO		
1	HEADLIGHT ASSY. (6V15/15W) (STANLEY)	---	K1	K2	---	---	1	33100-063-670 0182238
	HEADLIGHT ASSY.	---	K1	K2	---	---	1	33100-081-600 2141562
2	RIM, HEADLIGHT	---	K1	K2	---	---	1	33101-063-670 0182246
3	SCREW, HEADLIGHT ADJUSTING	---	K1	K2	---	---	1	33102-041-670 0201517
4	SPRING, HEADLIGHT BEAM ADJUSTING (STANLEY)	---	K1	K2	---	---	1	33107-001-003 0093310
	SPRING, HEADLIGHT BEAM ADJUST	---	K1	K2	---	---	1	33107-001-020 0007658
5	NUT, BEAM ADJUSTING	---	K1	K2	---	---	1	33117-041-003 0309146
6	HEADLIGHT UNIT	---	K1	K2	---	---	1	33120-063-670 0182253
7	SCREW, UNIT HOLDER	---	K1	K2	---	---	2	33125-292-670 0146423
8	NUT, UNIT HOLDER	---	K1	K2	---	---	2	33128-292-670 0182261
9	SOCKET ASSY., HEADLIGHT	---	K1	K2	---	---	1	33130-063-670 0182279
10	BULB, HEADLIGHT (6V15/15W) (STANLEY)	---	K1	K2	---	---	1	34901-001-025 0918383
	BULB, HEADLIGHT (6V15/15W)	---	K1	K2	---	---	1	34901-001-671 0085381
11	GROUND, HEADLIGHT	---	K1	K2	---	---	1	34902-044-670 0182287
12	BULB, SPEEDOMETER (6V1.7W)	A	---	---	120088	---	1	34908-230-000 0148924
13	LAMP ASSY., BEAM PILOT	---	K1	---	---	---	1	37550-044-671 0132753
	LAMP ASSY., BEAM PILOT	---	K1	---	---	---	1	37550-063-670 0184838
14	LENS, BEAM PILOT	---	K1	---	---	---	1	37551-044-670 0132761
15	CASE, HEADLIGHT (MEXICAN YELLOW)	---	K1	K2	---	---	1	61301-063-670BY 0218750
	CASE, HEADLIGHT (CANDY RUBY RED)	---	K1	K2	---	---	1	61301-063-670CM 0218735
	CASE, HEADLIGHT (CANDY SAPPHIRE BLUE)	---	K1	K2	---	---	1	61301-063-670CN 0218743
	CASE, HEADLIGHT	---	K1	K2	---	---	1	61301-063-670Z 0182329
16	PLUG, HOLE	A	---	---	---	---	1	61303-045-670 0182295
17	EMBLEM, LIGHT CASE	A	---	---	---	---	1	61402-045-670 0182303
	EMBLEM, LIGHT CASE	---	K1	K2	---	---	1	61402-045-671 0218784
18	PLATE, EMBLEM SETTING	---	K1	K2	---	---	1	61403-045-670 0182311
19	NUT, SPEED, 3MM	---	K1	K2	---	---	2	90315-504-000 0527341
20	BOLT, HEX., 6X36	---	K1	K2	---	---	2	92000-06036 0313205

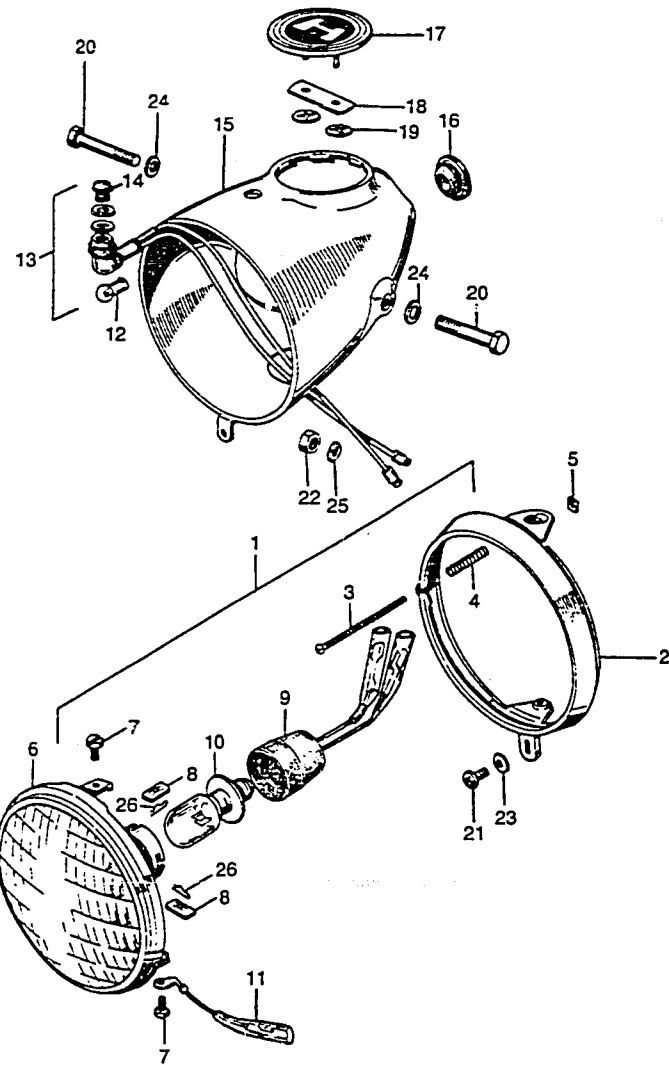
CONTENTS

TITLE	PAGE	GRID
AIR CLEANER	66	D12
ALTERNATOR	36	C6
BATTERY	100	F5
BRAKE, RR Z50AK2	88	E11
CAM CHAIN TENSIONER	12	B6
CAMSHAFT	10	B5
CARBURETOR SET	40	C8
CHANGE PEDAL	104	F7
CLUTCH	16	B8
CRANKCASE	14	B7
CRANKCASE COVER	22	B11
CRANKCASE COVER, L	36	C6
CRANKSHAFT	6	B3
CUSHION, FR	54	D6
CYLINDER	2	B1
CYLINDER HEAD	2	B1
FENDER, FR	96	F3
FORK, FR	50	D4
FRAME	66	D12
FUEL TANK	56	D7
GEAR SHIFT DRUM	32	C4
GEARSHIFT SPINDLE	30	C3
HANDLEBAR	44	D1
HEADLIGHT	92	F1
HEADLIGHT CASE	92	F1
KICK	104	F7
MUFFLER	70	E2
OIL PUMP	22	B11
SEAT	62	D10
STEER BAR	62	D10
TAILLIGHT	96	F3
TRANSMISSION	26	C1
VALVE	10	B5
WHEEL, FR	74	E4
WHEEL, RR	80	E7
WIRE HARNESS	100	F5

Z50A ENGINE NO.; Z50AE-100001 TO SUBSEQUENT
 Z50A FRAME NO.; Z50A-100001 TO 120087
 Z50AK1 ENGINE NO.; Z50AE-120088 TO SUBSEQUENT
 Z50AK1 FRAME NO.; Z50A-120088 TO 270235

Z50AK2 ENGINE NO.; Z50AE-270236 TO SUBSEQUENT
 Z50AK2 FRAME NO.; Z50A-270236 TO 387884

HEADLIGHT • HEADLIGHT CASE



F14045211

A = Z50A
K1 = Z50AK1
K2 = Z50AK2

Ref. No.	BLOCK NO. DESCRIPTION	Z50A			FRAME SERIAL NUMBER	QTY	PART NUMBER	HONDA CODE
		A	K1	K2				
20	BOLT, HEX., 6X35		K1	K2		2	92200-06035	0700773
21	SCREW, PAN, 5X12		K1	K2		1	93500-05012-0A	0173567
22	NUT, HEX., 6MM		K1	K2		2	90310-KA3-711	1553916
	NUT, HEX., 6MM		K1	K2		2	94000-06000-0S	1391283
	NUT, HEX., 6MM		K1	K2		2	94001-06000	0058016
	NUT, HEX., 6MM		K1	K2		2	94001-06000-0S	0156067
	NUT, HEX., 6MM		K1	K2		2	94001-06008-0S	2829414
	NUT, HEX., 6MM		K1	K2		2	94001-06200-0S	2043255
	NUT, HEX., 6MM		K1	K2		2	94030-06000	1642693
23	WASHER, PLAIN, 5MM		K1	K2		1	94101-05000	0059055
24	WASHER, PLAIN, 6MM		K1	K2		2	94101-06000	0059071
	WASHER, PLAIN, 6MM		K1	K2		2	94101-06080	3136074
	WASHER, PLAIN, 6MM		K1	K2		2	94101-06800	0345900
25	WASHER, SPRING, 6MM		K1	K2		2	94111-06000	0058974
26	PIN, LOCK, 5MM		K1	K2		2	94251-05000	0119305

F2

CONTENTS

TITLE	PAGE	GRID
AIR CLEANER	66	D12
ALTERNATOR	36	C6
BATTERY	100	F5
BRAKE, RR, Z50AK2	88	E11
CAM CHAIN TENSIONER	12	B6
CAMSHAFT	10	B5
CARBURETOR SET	40	C8
CHANGE PEDAL	104	F7
CLUTCH	16	B8
CRANKCASE	14	B7
CRANKCASE COVER	22	B11
CRANKCASE COVER, L	36	C6
CRANKSHAFT	6	B3
CUSHION, FR	54	D6
CYLINDER	2	B1
CYLINDER HEAD	2	B1
FENDER, RR	96	F3
FORK, FR	50	D4
FRAME	66	D12
FUEL TANK	56	D7
GEAR SHIFT DRUM	32	C4
GEARSHIFT SPINDLE	30	C3
HANDLEBAR	44	D1
HEADLIGHT	92	F1
HEADLIGHT CASE	92	F1
KICK	104	F7
MUFFLER	70	E2
OIL PUMP	22	B11
SEAT	62	D10
STEP BAR	62	D10
TAILLIGHT	96	F3
TRANSMISSION	26	C1
VALVE	10	B5
WHEEL, FR	74	E4
WHEEL, RR	80	E7
WIRE HARNESS	100	F5

GRID

F2

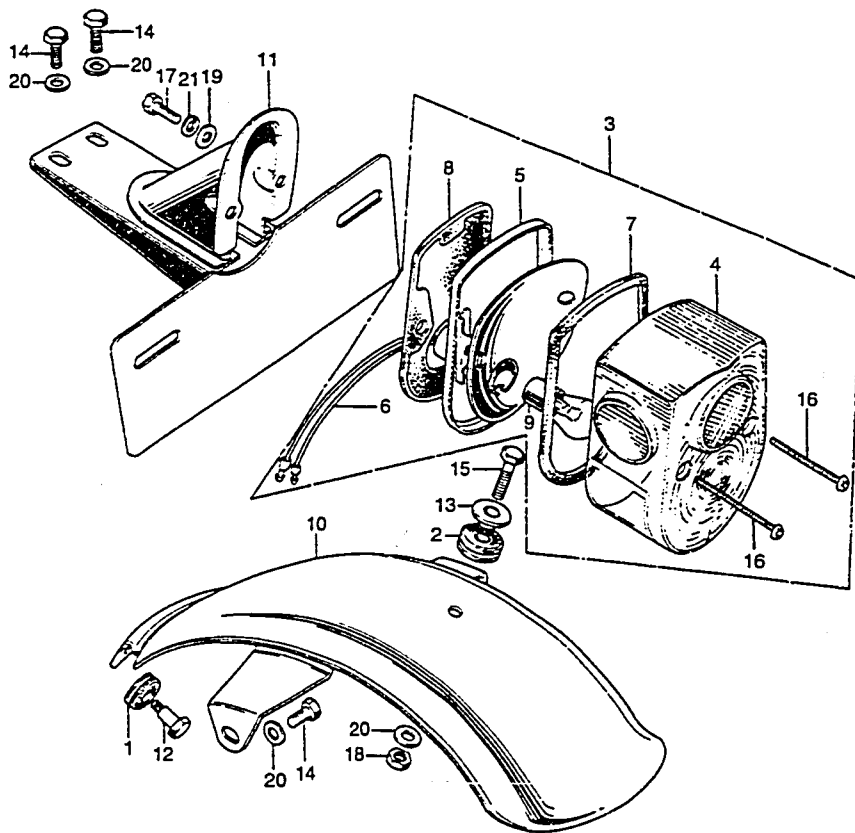
94 © AMERICAN HONDA MOTOR CO., LTD. 1994

Z50A ENGINE NO.; Z50AE-100001 TO SUBSEQUENT
Z50A FRAME NO.; Z50A-100001 TO 120087
Z50AK1 ENGINE NO.; Z50AE-120088 TO SUBSEQUENT
Z50AK1 FRAME NO.; Z50A-120088 TO 270235

Z50AK2 ENGINE NO.; Z50AE-270236 TO SUBSEQUENT
Z50AK2 FRAME NO.; Z50A-270236 TO 387884

© AMERICAN HONDA MOTOR CO., LTD. 1994 95

TAILLIGHT • REAR FENDER



F14045212

Ref. No.	BLOCK NO. F-12 DESCRIPTION	Z50A			FRAME SERIAL NUMBER FROM TO	QTY REQ	PART NUMBER	HONDA CODE	
		A	K 1	K 2					
		A	K1	K2					
		A = Z50A K1 = Z50AK1 K2 = Z50AK2							
1	RUBBER, REGULATOR CUSHION	A	---	---	103193	---	2	31403-071-000	0174755
2	GROMMET, WIRE HARNESS	---	K1	K2	---	---	2	31403-071-000	0174755
3	TAILLIGHT ASSY	---	K1	K2	---	---	1	32983-011-000	0008730
	TAILLIGHT UNIT	---	K1	K2	---	---	1	33700-074-671	0183186
4	LENS, TAILLIGHT	---	K1	K2	---	---	1	33701-074-670	0182378
5	BASE COMP., TAILLIGHT	---	K1	K2	---	---	1	33702-074-671	0182386
6	WIRE COMP., TAILLIGHT	---	K1	K2	---	---	1	33703-074-671	0182394
7	GASKET, TAILLIGHT LENS	---	K1	K2	---	---	1	33708-077-671	0178665
8	GASKET, TAILLIGHT BASE	---	K1	K2	---	---	1	33709-074-671	0182402
9	BULB, STOP & TAILLIGHT (6V-17/5.3W)	---	K1	K2	---	---	1	33719-074-670	0182410
	BULB, STOP & TAILLIGHT (6V-17/5.3W)	---	K1	K2	---	---	1	34906-041-670	0184895
	BULB, STOP & TAILLIGHT (6V-17/5.3W)	---	K1	K2	---	---	1	34906-041-671	0130237
	BULB, STOP & TAILLIGHT (6V-17/5.3W)	---	K1	K2	---	---	1	34906-202-670	0029553
	BULB, STOP & TAILLIGHT (6V-17/5.3W)	---	K1	K2	---	---	1	34906-205-222	0097956
	BULB, STOP & TAILLIGHT (6V-17/5.3W)	---	K1	K2	---	---	1	34911-001-810	0093401
10	FENDER COMP., RR. (CLOUD SILVER)	A	---	---	---	---	1	80100-045-671AU	0174748
	FENDER COMP., RR.	---	K1	---	---	---	1	80100-045-672XW	0182477
	FENDER COMP., RR.	---	---	K2	---	---	1	80100-045-673XW	0218792
11	BRACKET, NUMBER PLATE	---	K1	---	---	---	1	84700-045-670B	0182428
	BRACKET, NUMBER PLATE	---	---	K2	---	---	1	84700-045-671B	0218800
12	BOLT, TURN SIGNAL RELAY MOUNT	A	---	---	103193	---	2	90157-001-000	0012203
		---	K1	K2	---	---	2	90157-001-000	0012203
13	WASHER, NUMRER BRACKET MOUNTING .	---	K1	K2	---	---	1	90563-645-000	0182436
14	BOLT, HEX., 6X12	A	---	---	---	103192	4	92000-06012	0054197
		A	---	---	103193	---	2	92000-06012	0054197
		---	K1	K2	---	---	4	92000-06012	0054197
	BOLT, HEX., 6X12	A	---	---	---	103192	4	92101-06012	2738821
		A	---	---	103193	---	2	92101-06012	2738821
		---	K1	K2	---	---	4	92101-06012	2738821

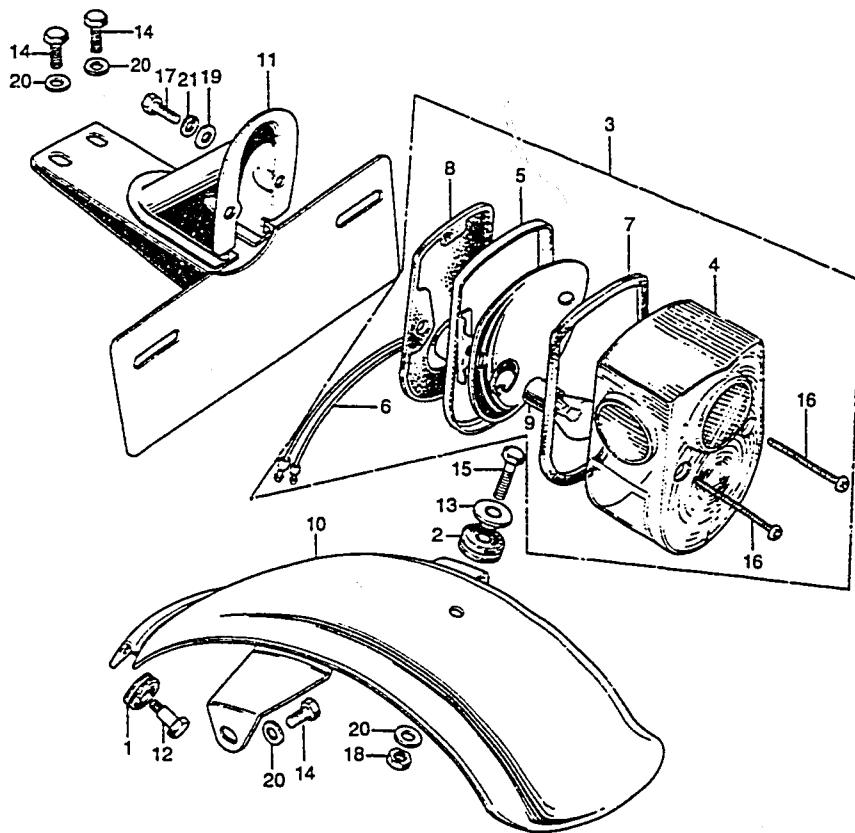
CONTENTS

TITLE	PAGE	GRID
AIR CLEANER	66	D12
ALTERNATOR	36	C6
BATTERY	100	F5
BRAKE, RR. Z50AK2	88	E11
CAM CHAIN TENSIONER	12	B6
CAMSHAFT	10	B5
CARBURETOR SET	40	C8
CHANGE PEDAL	104	F7
CLUTCH	16	B8
CRANKCASE	14	B7
CRANKCASE COVER	22	B11
CRANKCASE COVER, L	36	C6
CRANKSHAFT	6	B3
CUSHION, FR.	54	D6
CYLINDER	2	B1
CYLINDER HEAD	2	B1
FENDER, FR.	96	F3
FORK, FR.	50	D4
FRAME	66	D12
FUEL TANK	56	D7
GEAR SHIFT DRUM	32	C4
GEARSHIFT SPINDLE	30	C3
HANDLEBAR	44	D1
HEADLIGHT	92	F1
HEADLIGHT CASE	92	F1
KICK	104	F7
MUFFLER	70	E2
OIL PUMP	22	B11
SEAT	62	D10
STEP BAR	62	D10
TAILLIGHT	96	F3
TRANSMISSION	26	C1
VALVE	10	B5
WHEEL, FR.	74	E4
WHEEL, RR.	80	E7
WIRE HARNESS	100	F5

96 © AMERICAN HONDA MOTOR CO., LTD. 1994
 Z50A ENGINE NO.; Z50AE-100001 TO SUBSEQUENT
 Z50A FRAME NO.; Z50A-100001 TO 120087
 Z50AK1 ENGINE NO.; Z50AE-120088 TO SUBSEQUENT
 Z50AK1 FRAME NO.; Z50A-120088 TO 270235

Z50AK2 ENGINE NO.; Z50AE-270236 TO SUBSEQUENT
 Z50AK2 FRAME NO.; Z50A-270236 TO 387884

TAILLIGHT • REAR FENDER



F14045212

A = Z50A
K1 = Z50AK1
K2 = Z50AK2

Ref. No.	BLOCK NO. F-12	DESCRIPTION	Z50A			FRAME SERIAL NUMBER	QTY REQ	PART NUMBER	HONDA CODE
			A	K1	K2				
14		BOLT, HEX., 6X12	A	---	---	103192	4	92101-06012-0A	3591500
			A	---	---	103193	2	92101-06012-0A	3591500
				K1	K2		4	92101-06012-0A	3591500
15		BOLT, HEX., 6X20	---	K1	K2		1	92000-06020	0054270
		BOLT, HEX., 6X20	---	K1	K2		1	92101-06020-0A	2528925
16		SCREW, CROSS, 4X45	---	K1	K2		2	93500-04045-0B	0156968
17		SCREW, PAN, 5X12	---	K1	K2		2	93500-05012-0A	0173567
18		NUT, HEX., 6MM	---	K1	K2		1	90310-KA3-711	1553916
		NUT, HEX., 6MM	---	K1	K2		1	94000-06000-0S	1391283
		NUT, HEX., 6MM	---	K1	K2		1	94001-06000	0058016
		NUT, HEX., 6MM	---	K1	K2		1	94001-06000-0S	0156067
		NUT, HEX., 6MM	---	K1	K2		1	94001-06008-0S	2829414
		NUT, HEX., 6MM	---	K1	K2		1	94001-06200-0S	2043255
		NUT, HEX., 6MM	---	K1	K2		1	94030-06000	1642693
19		WASHER, PLAIN, 5MM	---	K1	K2		2	94101-05000	0059055
20		WASHER, PLAIN, 6MM	A	---	---	103192	4	94101-06000	0059071
			A	---	---	103193	2	94101-06000	0059071
				K1	K2		5	94101-06000	0059071
		WASHER, PLAIN, 6MM	A	---	---	103192	4	94101-06080	3136074
			A	---	---	103193	2	94101-06080	3136074
				K1	K2		5	94101-06080	3136074
		WASHER, PLAIN, 6MM	A	---	---	103192	4	94101-06800	0345900
			A	---	---	103193	2	94101-06800	0345900
				K1	K2		5	94101-06800	0345900
21		WASHER, SPRING, 5MM	---	K1	K2		2	94111-05000	0058966

CONTENTS

TITLE	PAGE	GRID
AIR CLEANER	66	D12
ALTERNATOR	36	C6
BATTERY	100	F5
BRAKE, RR, Z50AK2	88	E11
CAM CHAIN TENSIONER	12	B6
CAMSHAFT	10	B5
CARBURETOR SET	40	C8
CHANGE PEDAL	104	F7
CLUTCH	16	B8
CRANKCASE	14	B7
CRANKCASE COVER	22	B11
CRANKCASE COVER, L	36	C6
CRANKSHAFT	6	B3
CUSHION, FR	54	D6
CYLINDER	2	B1
CYLINDER HEAD	2	B1
FENDER, RR	96	F3
FORK, FR	50	D4
FRAME	66	D12
FUEL TANK	56	D7
GEAR SHIFT DRUM	32	C4
GEARSHIFT SPINDLE	30	C3
HANDLEBAR	44	D1
HEADLIGHT	92	F1
HEADLIGHT CASE	92	F1
KICK	104	F7
MUFFLER	70	E2
OIL PUMP	22	B11
SEAT	62	D10
STEP BAR	62	D10
TAILLIGHT	96	F3
TRANSMISSION	26	C1
VALVE	10	B5
WHEEL, FR	74	E4
WHEEL, RR	80	E7
WIRE HARNESS	100	F5

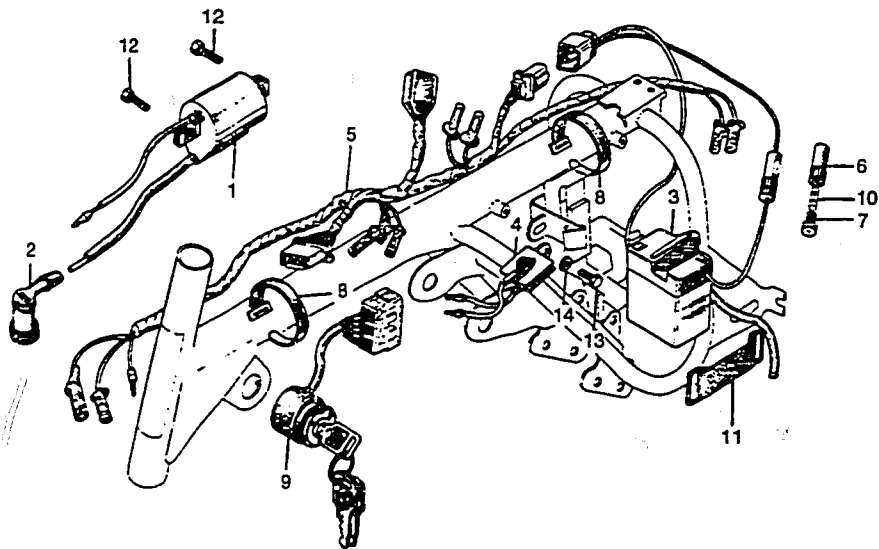
GRID

F4

Z50A ENGINE NO.; Z50AE-100001 TO SUBSEQUENT
Z50A FRAME NO.; Z50A-100001 TO 120087
Z50AK1 ENGINE NO.; Z50AE-120088 TO SUBSEQUENT
Z50AK1 FRAME NO.; Z50A-120088 TO 270235

Z50AK2 ENGINE NO.; Z50AE-270236 TO SUBSEQUENT
Z50AK2 FRAME NO.; Z50A-270236 TO 387884

WIRE HARNESS • BATTERY



F14045213

Ref. No.	BLOCK NO. F-13 DESCRIPTION	Z50A			FRAME SERIAL NUMBER FROM TO	QTY REQ	PART NUMBER	HONDA CODE
		A	K 1	K 2				
		A	K1	K2				
1	COIL ASSY., IGNITION	A	---	---	183603	1	30400-045-035	0203919
		---	K1	---	183602	1	30400-045-035	0203919
		---	K1	K2		1	30400-045-035	0203919
	COIL ASSY., IGNITION	---	K1	---	183602	1	30400-045-020	0175489
2	CAP, SPARK PLUG	A	K1	K2		1	30700-098-153	0349266
	CAP, SUPPRESSOR	A	K1	K2		1	30700-098-158	1011568
	CAP, SPARK PLUG	A	K1	K2		1	30700-098-163	3613890
	CAP ASSY., NOISE SUPPRESSOR	A	K1	K2		1	30700-259-810	0100396
3	BATTERY ASSY. (6V 2AH)	---	K1	---		1	31500-045-671	0182186
4	RECTIFIER ASSY.	---	K1	---		1	31700-045-671	0182196
	RECTIFIER ASSY.	---	K1	---		1	31700-098-305	0965665
	RECTIFIER ASSY.	---	K1	---		1	31700-098-921	0267880
	RECTIFIER ASSY.	---	K1	---		1	31700-098-922	0267898
	RECTIFIER ASSY.	---	K1	---		1	31700-118-771	0290684
5	HARNES, WIRE	---	K1	---		1	32100-045-67A	0182204
	HARNES, WIRE	---	---	K2		1	32100-045-671	0218818
6	CONNECTOR A, FUSE	---	K1	---		1	32106-041-000	0182915
	CONNECTOR A, FUSE (YUASA)	---	K1	---		1	32106-041-008	0484121
7	CONNECTOR B, FUSE	---	K1	---		1	32112-041-000	0134031
	CONNECTOR B, FUSE (YUASA)	---	K1	---		1	32112-041-008	0484139
8	BAND, WIRE HARNESS	A	---	---	120087	1	32161-001-000	0008722
		---	K1	---		2	32161-001-000	0008722
		---	---	K2	382794	3	32161-001-000	0008722
	BAND A3, WIRE	A	---	---	120087	1	95014-61300	0309179
		A	---	---		1	95014-61300	0309179
		---	K1	---		2	95014-61300	0309179
		---	---	K2	382794	3	95014-61300	0309179
		---	---	K2		3	95014-61300	0309179
9	SWITCH ASSY., STARTING	A	---	---		1	36100-045-671	0175547
	SWITCH, MAIN	---	K1	---		1	35100-045-671	0182469
	SWITCH, MAIN	---	K1	---		1	35100-045-672	1066893
	SWITCH ASSY., COMBINATION	---	---	K2		1	35100-045-601	0218826
10	FUSE (7A)	---	K1	---		1	38201-001-000	0008714
	FUSE A (7A)	---	K1	---		1	98200-10700	0250662
11	BAND, BATTERY	---	K1	---		1	50382-045-670	0182220

F5

CONTENTS

TITLE	PAGE	GRID
AIR CLEANER	66	D12
ALTERNATOR	36	C6
BATTERY	100	F5
BRAKE, RR Z50AK2	88	E11
CAM CHAIN TENSIONER	12	B6
CAUSHAFT	10	B5
CARBURETOR SET	40	C8
CHANGE PEDAL	104	F7
CLUTCH	16	B8
CRANKCASE	14	B7
CRANKCASE COVER	22	B11
CRANKCASE COVER, L	36	C6
CRANKSHAFT	6	B3
CUSHION, FR	54	D6
CYLINDER	2	B1
CYLINDER HEAD	2	B1
FENDER, FR	96	F3
FORK, FR	50	D4
FRAME	66	D12
FUEL TANK	56	D7
GEAR SHIFT DRUM	32	C4
GEARSHIFT SPINDLE	30	C3
HANDLEBAR	44	D1
HEADLIGHT	82	F1
HEADLIGHT CASE	82	F1
KICK	104	F7
MUFFLER	70	E2
OIL PUMP	22	B11
SEAT	62	D10
STEP BAR	62	D10
TAILLIGHT	96	F3
TRANSMISSION	26	C1
VALVE	10	B5
WHEEL, FR	74	E4
WHEEL, RR	80	E7
WIRE HARNESS	100	F5

GRID

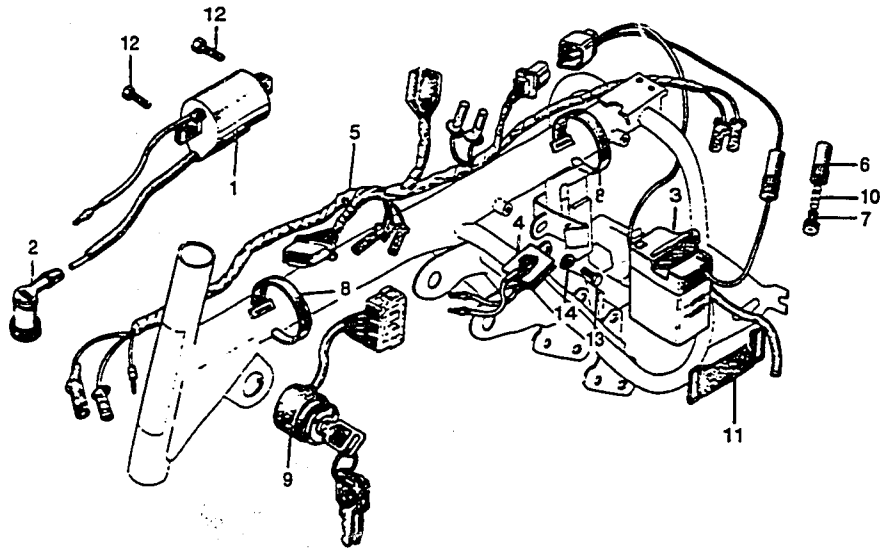
F5

100 © AMERICAN HONDA MOTOR CO., LTD. 1984
 Z50A ENGINE NO.; Z50AE-100001 TO SUBSEQUENT
 Z50A FRAME NO.; Z50A-100001 TO 120087
 Z50AK1 ENGINE NO.; Z50AE-120088 TO SUBSEQUENT
 Z50AK1 FRAME NO.; Z50A-120088 TO 270235

Z50AK2 ENGINE NO.; Z50AE-270236 TO SUBSEQUENT
 Z50AK2 FRAME NO.; Z50A-270236 TO 387884

© AMERICAN HONDA MOTOR CO., LTD. 1984 101

WIRE HARNESS • BATTERY



F1404S213

A = Z50A
K1 = Z50AK1
K2 = Z50AK2

Ref. No.	BLOCK NO. F-13 DESCRIPTION	Z50A			FRAME SERIAL NUMBER		QTY REQ	PART NUMBER	HONDA CODE
		A	K1	K2	FROM	TO			
11	BAND A, BATTERY	--	K1	--	----	----	1	95012-11000	0338608
	BAND A, BATTERY	--	K1	--	----	----	1	95012-11001	1314475
12	BOLT, HEX., 5X20	A	K1	K2	----	----	2	92000-05020-0A	0175893
	BOLT, HEX., 5X20	A	K1	K2	----	----	2	92101-05020-0A	2825198
	BOLT, RECESSED, 5X20	A	K1	K2	----	----	2	92301-05020-0A	3076262
13	BOLT, HEX., 6X12	--	K1	--	----	----	1	92000-06012	0054197
	BOLT, HEX., 6X12	--	K1	--	----	----	1	92101-06012	2738821
	BOLT, HEX., 6X12	--	K1	--	----	----	1	92101-06012-0A	3591500
14	WASHER, PLAIN, 6MM	--	K1	--	----	----	1	94101-06000	0059071
	WASHER, PLAIN, 6MM	--	K1	--	----	----	1	94101-06080	3136074
	WASHER, PLAIN, 6MM	--	K1	--	----	----	1	94101-06800	0345900

F6

CONTENTS

TITLE	PAGE	GRID
AIR CLEANER	66	D12
ALTERNATOR	36	C6
BATTERY	100	F5
BRAKE, RR, Z50AK2	88	E11
CAM CHAIN TENSIONER	12	B6
CAMSHAFT	10	B5
CARBURETOR SET	40	C8
CHANGE PEDAL	104	F7
CLUTCH	16	B8
CRANKCASE	14	B7
CRANKCASE COVER	22	B11
CRANKCASE COVER, L	36	C6
CRANKSHAFT	6	B3
CUSHION, FR	54	D6
CYLINDER	2	B1
CYLINDER HEAD	2	B1
FENDER, RR	96	F3
FORK, FR	50	D4
FRAME	66	D12
FUEL TANK	56	D7
GEAR SHIFT DRUM	32	C4
GEARSHIFT SPINDLE	20	C3
HANDLEBAR	44	D1
HEADLIGHT	92	F1
HEADLIGHT CASE	92	F1
KICK	104	F7
MUFFLER	70	E2
OIL PUMP	22	B11
SEAT	62	D10
STEP BAR	62	D10
TAILLIGHT	96	F3
TRANSMISSION	26	C1
VALVE	10	B5
WHEEL, FR	74	E4
WHEEL, RR	80	E7
WIRE HARNESS	100	F5

GRID

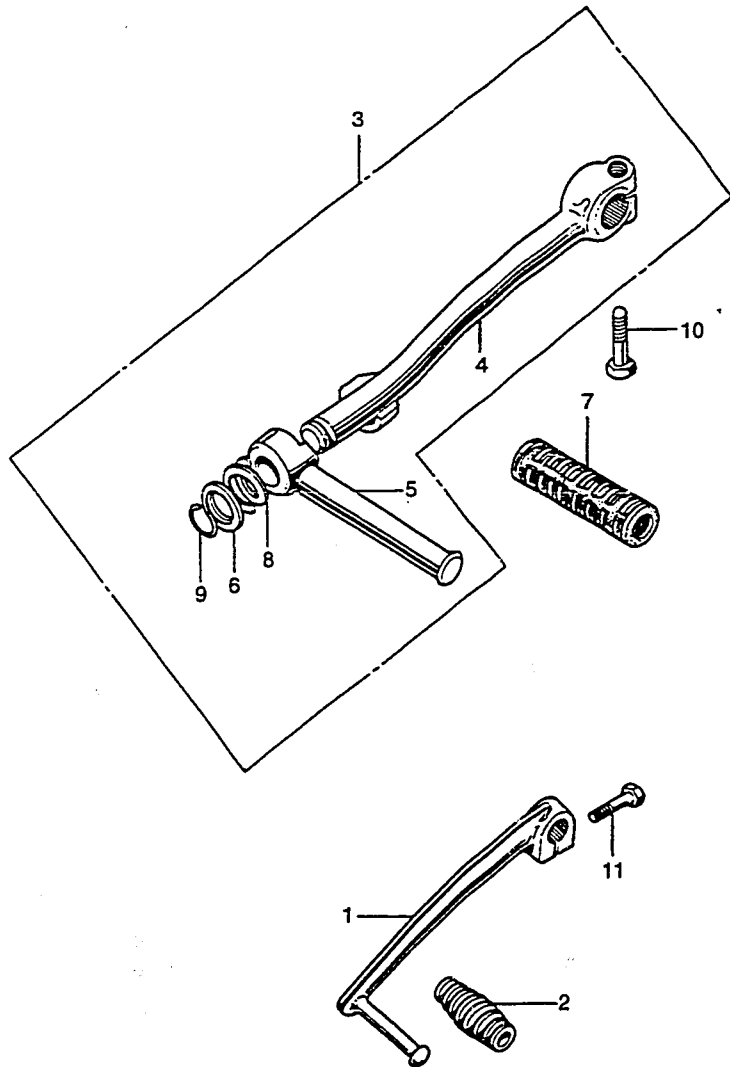
F6

© AMERICAN HONDA MOTOR CO., LTD. 1984 103

102 © AMERICAN HONDA MOTOR CO., LTD. 1984
Z50A ENGINE NO.; Z50AE-100001 TO SUBSEQUENT
Z50A FRAME NO.; Z50A-100001 TO 120087
Z50AK1 ENGINE NO.; Z50AE-120088 TO SUBSEQUENT
Z50AK1 FRAME NO.; Z50A-120088 TO 270235

Z50AK2 ENGINE NO.; Z50AE-270236 TO SUBSEQUENT
Z50AK2 FRAME NO.; Z50A-270236 TO 387884

KICK • CHANGE PEDAL



F14045215

A = Z50A
K1 = Z50AK1
K2 = Z50AK2

Ref. No.	BLOCK NO. DESCRIPTION	F-15	Z50A			FRAME SERIAL NUMBER	QTY REQ	PART NUMBER	HONDA CODE
			A	K1	K2				
			FROM	TO					
1	PEDAL, GEAR CHANGE		A	--	--		1	24700-045-670	0175711
	PEDAL, GEAR CHANGE		A	K1	K2		1	24700-098-670	0201509
	PEDAL GEARSHIFT		A	K1	K2		1	24700-098-970	0267971
2	RUBBER, SHIFT PEDAL		A	--	--		1	24781-205-000	0026336
	RUBBER, SHIFT PEDAL		--	K1	K2	382794	1	24781-205-000	0026336
	RUBBER, SHIFT PEDAL		A	--	--		1	24781-268-000	0039594
	RUBBER, SHIFT PEDAL		--	K1	K2	382794	1	24781-268-000	0039594
	RUBBER, GEARSHIFT PEDAL		A	--	--		1	95011-40000	0255695
	RUBBER, GEARSHIFT PEDAL		--	K1	K2	382794	1	95011-40000	0255695
	RUBBER, GEARSHIFT PEDAL		--	--	K2	382795	1	95011-40000	0255695
3	ARM ASSY., KICK STARTER		A	K1	K2		1	28300-033-000	0095422
	ARM ASSY., KICK STARTER		A	K1	K2		1	28300-126-690	0358176
4	ARM, KICK STARTER		A	K1	K2		1	28301-053-000	0119867
	ARM, KICK STARTER		A	K1	K2		1	28301-216-000	0026468
5	PEDAL, KICK STARTER		A	K1	K2		1	28302-033-000	0018358
6	WASHER, KICK STARTER KNUCKLE		A	K1	K2		1	28303-001-000	0004234
7	RUBBER, KICK STARTER		A	K1	K2		1	28311-001-000	0004341
	RUBBER, KICK STARTER		A	K1	K2		1	28311-342-000	0325183
	RUBBER A, KICK STARTER		A	K1	K2		1	95011-51000	0250654
8	SPRING, KICK STARTER KNUCKLE		A	K1	K2		1	28322-001-000	0004259
	SPRING, KICK STARTER KNUCKLE		--	--	K2	382795	1	28322-001-000	0004259
	SPRING, KICK STARTER KNUCKLE		--	--	K2	382795	1	28305-001-000	0210716
9	CLIP, KICK STARTER KNUCKLE		A	K1	K2		1	28324-001-000	0004242
	CLIP, KICK STARTER KNUCKLE		--	--	K2	382795	1	28324-001-000	0004242
	CLIP, KICK STARTER KNUCKLE		--	--	K2	382795	1	28304-001-000	0210708
10	BOLT, HEX., 6X20		A	K1	K2		1	92000-06020	0054270
	BOLT, HEX., 6X20		A	K1	K2		1	92101-06020-0A	2528925
11	BOLT, HEX., 6X22		A	K1	K2		1	92000-06022	0054296
	BOLT, HEX., 6X22		A	K1	K2		1	92000-06022-00	3824083
	BOLT, HEX., 6X22		A	K1	K2		1	92101-06022-0A	3453982

CONTENTS

TITLE	PAGE	GRID
AIR CLEANER	66	D12
ALTERNATOR	36	C6
BATTERY	100	F5
BRAKE, RR, Z50AK2	88	E11
CAM CHAIN TENSIONER	12	B6
CAMSHAFT	10	B5
CARBURETOR SET	40	C8
CHANGE PEDAL	104	F7
CLUTCH	16	B2
CRANKCASE	14	B7
CRANKCASE COVER	22	B11
CRANKCASE COVER, L.	36	C6
CRANKSHAFT	6	B3
CUSHION, FR.	54	D6
CYLINDER	2	B1
CYLINDER HEAD	2	B1
FENDER, FR.	96	F3
FORK, FR.	50	D4
FRAME	66	D12
FUEL TANK	56	D7
GEAR SHIFT DRUM	32	C4
GEARSHIFT SPINDLE	30	C3
HANDLEBAR	44	D1
HEADLIGHT	92	F1
HEADLIGHT CASE	92	F1
KICK	104	F7
MUFFLER	70	E2
OIL PUMP	22	B11
SEAT	62	D10
STEP BAR	62	D10
TAILLIGHT	96	F3
TRANSMISSION	26	C1
VALVE	10	B5
WHEEL, FR.	74	E4
WHEEL, RR.	80	E7
WIRE HARNESS	100	F5

104 © AMERICAN HONDA MOTOR CO., LTD. 1994
Z50A ENGINE NO.; Z50AE-100001 TO SUBSEQUENT
Z50A FRAME NO.; Z50A-100001 TO 120087
Z50AK1 ENGINE NO.; Z50AE-120088 TO SUBSEQUENT
Z50AK1 FRAME NO.; Z50A-120088 TO 270235

Z50AK2 ENGINE NO.; Z50AE-270236 TO SUBSEQUENT
Z50AK2 FRAME NO.; Z50A-270236 TO 387884

Part Number Index

Part Number	Grid	Page	Part Number	Grid	Page	Part Number	Grid	Page
94000-06000-0S	E11	89	94030-10000	C7	39	94111-08000	E10	87
	F2	95	94030-10000-0S	C7	39	94201-16150	D11	65
	F4	99	94101-04000	E1	69	94201-16250	D11	65
94001-05000	C8	41	94101-05000	C8	41	94201-20150	E12	91
94001-05000-0S	C8	41		E1	69	94251-05000	F2	95
	D3	49		E3	73	94301-08120	B7	15
94001-06000	B2	5		F2	95	94301-08140	B2	5
	D11	65		F4	99	94510-16000	C3	31
	E3	73	94101-05200	E3	73	94520-32000	E5	77
	E10	87	94101-06000	D5	53	94601-13000	B3	7
	E12	91		D11	65	95001-35200-40	C9	43
	F2	95		E1	69	95001-45000-40	D9	61
	F4	99		E3	73	95001-45000-90	D9	61
94001-06000-0S	B2	5		E10	87	95001-45075-40	D9	61
	D11	65		E12	91	95001-45100	D9	61
	E3	73		F2	95	95001-45100-90	D9	61
	E10	87		F4	99	95001-50000	B7	15
	E12	91		F6	103	95001-50000-90	B7	15
	F2	95	94101-06080	D5	53	95001-55000-40	B7	15
	F4	99		D11	65	95002-02070	C9	43
94001-06008-0S	B2	5		E1	69	95002-02080	D9	61
	D11	65		E3	73	95002-45000	D9	61
	E3	73		E10	87	95011-12100	D2	47
	E10	87		E12	91	95011-12200	D2	47
	E12	91		F2	95	95011-31000	D10	63
	F2	95		F4	99	95011-40000	F7	105
	F4	99		F6	103	95011-51000	F7	105
94001-06200-0S	B2	5	94101-06800	D5	53	95012-11000	F6	103
	D11	65		D11	65	95012-11001	F6	103
	E3	73		E1	69	95014-10100	E7	81
	E10	87		E3	73	95014-61300	F5	101
	E12	91		E10	87	95014-73100	E11	89
	F2	95		E12	91	95014-73300	E11	89
	F4	99		F2	95	95015-31000	D1	45
94001-08000	D11	65		F4	99		E11	89
94001-10000	C7	39		F6	103		E12	91
94021-06000	B2	5	94101-08000	D11	65	95015-31001	D1	45
94021-06000-0S	B2	5	94101-10000	D6	55		E11	89
94021-06020	B2	5	94101-12000	E5	77		E12	91
94021-06020-0S	B2	5		E12	91	95015-41000	D1	45
94022-06020	B2	5	94108-21000	E9	85		E11	89
94030-06000	B2	5	94109-12000	B7	15	95015-62000	D10	63
	D11	65	94111-03000	C8	41	95015-81000	D10	63
	E3	73		D3	49	95015-91000	D10	63
	E10	87	94111-05000	B12	25	95020-11100	D4	51
	E12	91		C8	41	96100-60000	B9	19
	F2	95		F4	99	96100-60000-00	B10	21
	F4	99	94111-06000	D11	65	96100-62010	E5	77
94030-08000	B12	25		F10	87		E10	87
	D11	65		F2	95	96100-62010-00	E5	77
	E1	69	94111-08000	D3	49		E10	87
	E5	77		D11	65	96100-62030	C1	27
	E10	87		E1	69	96100-62030-00	C2	29
94030-08200	D11	65		E5	77	96100-63040	B4	9

Part Number Index

Part Number	Grid	Page	Part Number	Grid	Page	Part Number	Grid	Page
96100-63040-00	B4	9						
96100-62010	E5	77						
	E10	87						
96140-62010-00	E6	79						
	E10	87						
96211-06000	D5	53						
98056-56711	B5	11						
98056-56713	B5	11						
98056-56721	B5	11						
98056-56723	B5	11						
98200-10700	F5	101						
99101-05004	C9	43						
99114-076-0500	C9	43						
99124-05004	C9	43						
99151-03804	C9	43						
99153-03804	C9	43						

Description Index

Description	Grid	Page	Ref. No.	Description	Grid	Page	Ref. No.
(A)							
ADJUSTER A, R. CHAIN	E7	81	3	BOLT, GEARSHIFT DRUM STOPPER ARM PIVOT	C4	33	12
ADJUSTER, R. RR. DRIVE CHAIN	E7	81	3	BOLT, HANDLE LEVER PIVOT	D3	49	25
ALTERNATOR ASSY, A.C.	C6	37	6	BOLT, HEX. 10X40	D6	55	14
ARM ASSY, KICK STARTER	F7	105	3	BOLT, HEX. 5X20	F6	103	12
ARM COMP. CAM CHAIN TENSIONER	B6	13	3	BOLT, HEX. 5X8	E3	73	14
ARM COMP. STEP	D10	63	3	BOLT, HEX. 6X112	B2	5	24
ARM, FR. BRAKE	E5	77	14	BOLT, HEX. 6X12	D4	51	13
ARM, GEARSHIFT	C3	31	2		E3	73	15
ARM, KICK STARTER	F7	105	4		E11	89	18
ARM, PILLION STEP	D10	63	3		F3	97	14
ARM, RR. BRAKE	E8	83	13	BOLT, HEX. 6X16	F6	103	13
ARM, TENSIONER	B6	13	3		B12	25	20
ARM, VALVE ROCKER	B5	11	4		C4	33	16
AXLE, FR. WHEEL	E4	75	3	BOLT, HEX. 6X18	E3	73	16
	E7	81	6	BOLT, HEX. 6X20	B12	25	21
AXLE, RR. WHEEL	E7	81	6		F4	99	15
					F7	105	10
				BOLT, HEX. 6X22	F7	105	11
				BOLT, HEX. 6X25	B2	5	23
					E5	77	20
					E10	87	26
				BOLT, HEX. 6X35	F2	95	20
				BOLT, HEX. 6X36	F1	93	20
				BOLT, HEX. 8X100	D12	67	9
				BOLT, HEX. 8X109	D12	67	10
				BOLT, HEX. 8X111	D11	65	12
				BOLT, HEX. 8X112	E11	65	12
				BOLT, HEX. 8X16	E5	77	21
					E5	77	16
				BOLT, HEX. 8X20	E9	85	21
				BOLT, HEX. 8X24	E10	87	27
				BOLT, HEX. 8X25	D10	63	11
				BOLT, HS. 6MM	E7	81	5
				BOLT, KNOCK, 5MM	E7	81	5
				BOLT, RECESSED, 5X20	B2	5	16
				BOLT, RR. BRAKE PIVOT	B6	13	15
				BOLT, SEALING, 14MM	F6	103	12
				BOLT, SPLIT WHEEL	E11	89	14
					B6	13	14
				BOLT, STUD, 6X25	E5	77	16
				BOLT, STUD, 6X32	E9	85	21
				BOLT, TURN SIGNAL RELAY MOUNT	B2	5	25
				BOLT, WHEEL RIM	B2	5	15
					F3	97	12
				BOLT, WIRE ADJUSTING	E5	77	16
					E9	85	21
				BOLT, 6MM	E11	89	13
				BOOT, FR. FORK	B2	5	16
				BRACKET, NUMBER PLATE	D6	55	9
				BRACKET, STOP SWITCH	F3	97	11
				BRAKE SHOE KIT	E11	89	3
					E6	79	NI
					E10	87	NI

Description Index

Description	Grid	Page	Ref. No.	Description	Grid	Page	Ref. No.
BULB, HEADLIGHT	F1	93	10	COLLAR, RR. AXLE DISTANCE	E8	83	9
BULB, SPEEDOMETER	F1	93	12	COLLAR, RR. WHEEL SIDE	E8	83	7
BULB, STOP & TAILLIGHT	F3	97	9	COLLAR, 17MM	B4	9	12
(C)							
CABLE COMP., FR. BRAKE	D1	45	7	CONDENSER COMP.	C6	37	4
CABLE COMP., RR. BRAKE	D1	45	5	CONNECTOR A, FUSE	F5	101	6
	E11	89	4	CONNECTOR B, FUSE	F5	101	7
CABLE COMP., THROTTLE	D1	45	1	COTTER, VALVE	B5	11	14
CAM, FR. BRAKE	E5	77	12	COUNTERSHAFT, TRANSMISSION	C1	27	2
CAM, RR. BRAKE	E5	77	12	COVER COMP., L. CRANKCASE	C6	37	1
	E8	83	12	COVER COMP., R. CRANKCASE	B11	23	1
CAMSHAFT	B5	11	3	COVER, AIR CLEANER	D12	67	4
CAP ASSY, NOISE SUPPRESSOR	F5	101	2	COVER, CHOKE	C8	41	11
CAP, FORK PIPE GUIDE	D6	55	7	COVER, CLUTCH OUTER	B8	17	2
CAP, FUEL FILLER	D8	59	19	COVER, CYLINDER HEAD	B1	3	5
CAP, RUBBER	C8	41	10	COVER, EX. PIPE	E2	71	3
CAP, SPARK PLUG	F5	101	2		E2	71	4
CAP, SUPPRESSOR	F5	101	2	COVER, FUEL VALVE	D7	57	3
CAP, TAPPET ADJUSTING HOLE	B1	3	8	COVER, L. CYLINDER HEAD SIDE	B1	3	7
CAP, VALVE STEM SEAL	B5	11	9	COVER, OIL PUMP	B11	23	6
CARBURETOR ASSY.	C8	41	9	COVER, R. CYLINDER HEAD SIDE	B1	3	6
CASE, AIR CLEANER	D12	67	3	CRANKCASE COMP., L.	B7	15	3
CASE, DRIVE CHAIN	D12	67	6	CRANKCASE COMP., R.	B7	15	1
CASE, HEADLIGHT	F1	93	15	CRANKSHAFT COMP.	B3	7	1
CENTER, CLUTCH	B8	17	4	CRANKSHAFT, L.	B3	7	9
CHAIN, CAM	B6	13	2	CYLINDER COMP.	B1	3	1
CHAIN, DRIVE	E7	81	1	(D)			
CHAMBER SET, FLOAT	C8	41	6	DIPSTICK	B11	23	12
CIRCLIP, EXTERNAL, 16MM	C3	31	15	DISK, CLUTCH FRICTION	B8	17	6
CIRCLIP, EXTERNAL, 17MM	B9	19	28	DRIVESHAFT, OIL PUMP	B11	23	10
	C1	27	15	DRUM, GEARSHIFT	C4	33	6
	C3	31	13	(E)			
CIRCLIP, INTERNAL, 32MM	E5	77	25	ELEMENT, AIR CLEANER	D12	67	1
CIRCLIP, 45MM	B9	19	19	EMBLEM, L. FUEL TANK	D8	59	24
CLAMP, OVERFLOW PIPE	B7	15	6	EMBLEM, LIGHT CASE	F1	93	17
CLAMP, OVERFLOW TUBE	B7	15	6	EMBLEM, R. FUEL TANK	D8	59	22
CLIP, GEARSHIFT FORK GUIDE PIN	C4	33	5		D8	59	23
CLIP, KICK STARTER KNUCKLE	F7	105	9	(F)			
CLIP, PISTON PIN	B3	7	5	FEAME COMP.	D12	67	7
CLIP, PISTON PIN, 13MM	B3	7	5	FELT, OIL	C6	37	3
CLIP, TUBE, B7	C9	43	25	FENDER COMP., RR.	F3	97	10
CLIP, TUBE, B8	D9	61	32	FENDER, FR.	D4	51	8
CLIP, TUBE, 4.5	D9	61	32	FLOAT SET	C8	41	4
COIL ASSY., IGNITION	F5	101	1	FLYWHEEL COMP.	C6	37	7
COIL, LIGHT	C6	37	9	FORK ASSY., L. FR.	D6	55	4
COIL, PRIMARY	C6	37	5	FORK ASSY., R. FR.	D6	55	1
COLLAR, BRAKE PEDAL PIVOT	E11	89	11				
COLLAR, EX. PIPE JOINT	E2	71	2				
COLLAR, FR. AXLE DISTANCE	E4	75	6				
COLLAR, FR. WHEEL SIDE	E4	75	4				
COLLAR, GEAR	C1	27	10				

Description Index

Description	Grid	Page	Ref. No.	Description	Grid	Page	Ref. No.
FORK COMP. FR	D4	51	4	GROMMET, NEUTRAL SWITCH CORD	C6	37	11
FORK L. GEARSHIFT	C4	33	2	GROMMET, THROTTLE CABLE	D1	45	2
FORK R. GEARSHIFT	C4	33	3	GROMMET, WIRE	C6	37	10
FRAME COMP.	D12	67	7	GROMMET, WIRE HARNESS	F3	97	2
FUSE	F5	101	10	GROUND, HEADLIGHT	F1	93	11
FUSE A	F5	101	10	GUIDE, CLUTCH CENTER	B8	17	5
				GUIDE, EX. VALVE	B5	11	2
				GUIDE, FR. FORK PIPE	D6	55	6
				GUIDE, IN. VALVE	B5	11	1
				GUIDE, RR. BRAKE CABLE	B11	23	15
(J)							
GASKET SET	C8	41	1	HANDLEBAR, L.	D1	45	11
GASKET, CAP	D8	59	20	HANDLEBAR, R.	D1	45	10
GASKET, CLUTCH OUTER COVER	B8	17	3	HARNESS, WIRE	F5	101	5
GASKET, CRANKCASE	B7	15	2	HEAD COMP., CYLINDER	B1	3	3
GASKET, CYLINDER	B1	3	2	HEADLIGHT ASSY.	F1	93	1
GASKET, CYLINDER HEAD	B1	3	4	HEADLIGHT UNIT	F1	93	6
GASKET, CYLINDER HEAD COVER	B1	3	9	HINGE, THROTTLE CABLE	D2	47	15
GASKET, CYLINDER HEAD SIDE, L.	B1	3	11	HOLDER, HANDLEBAR	D1	45	12
GASKET, CYLINDER HEAD SIDE, R.	B1	3	10	HOLDER, NEEDLE JET	C8	41	12
GASKET, CYLINDER HEAD SIDE, L.	B1	3	11	HOLDER, THROTTLE CABLE OUTER	D2	47	16
GASKET, DRAIN VALVE	B7	15	9	HOLDER, UPPER	D6	55	8
GASKET, DRAIN VALVE, 12.5X20	B7	15	9	HUB COMP., RR. WHEEL	E8	83	8
GASKET, EX. PIPE	E2	71	5	HUB, FR. WHEEL	E4	75	5
GASKET, FUEL FILL CAP	D8	59	20	HUB, RR. WHEEL	E8	83	8
GASKET, FUEL FILLER CAP	D8	59	20				
GASKET, FUEL STRAINER CUP	D7	57	10	(I)			
GASKET, INSULATOR	B1	3	12	INSULATOR, IN. PIPE	B2	5	13
GASKET, L. CYLINDER HEAD SIDE COVER	B1	3	11				
GASKET, MUFFLER	E3	73	12	(J)			
GASKET, OIL PUMP BODY	B11	23	3	JET, MAIN	C9	43	26
GASKET, OIL PUMP COVER	B11	23	7	JET, SLOW	C9	43	27
GASKET, PROTECTOR	E2	71	6	JOINT A, BRAKE ARM	D1	45	8
GASKET, R. CRANKCASE COVER	B11	23	2		E11	89	8
GASKET, R. CYLINDER	B1	3	10		E12	91	23
GASKET, R. CYLINDER HEAD COVER	B1	3	10	JOINT, BRAKE ARM	D1	45	8
GASKET, R. CYLINDER HEAD SIDE COVER	B1	3	10		E11	89	8
GASKET, RUBBER, 16MM	B2	5	20	JOINT, DRIVE CHAIN	E7	81	2
GASKET, RUBBER, 7.5MM	B2	5	21	JOINT, EX. PIPE	E2	71	1
GASKET, RUBBER, 9MM	B2	5	21	JOINT, RR. BRAKE ROD	E11	89	8
GASKET, TAILLIGHT BASE	F3	97	8				
GASKET, TAILLIGHT LENS	F3	97	7				
GASKET, TURN BUCKLE NUT	D7	57	9	(K)			
GASKET, VALVE	D7	57	7	KEY, WOODRUFF, 3X5	B4	9	13
GAUGE, OIL LEVEL	B11	23	12	KNOB, DIMMER SWITCH	D1	45	4
GEAR, COUNTERSHAFT LOW	C1	27	3	KNOB, HANDLE HOLDER	D3	49	22
GEAR, COUNTERSHAFT SECOND	C1	27	5				
GEAR, COUNTERSHAFT THIRD	C1	27	7				
GEAR, COUNTERSHAFT TOP	C1	27	7				
GEAR, MAINSHAFT SECOND	C1	27	4				
GEAR, MAINSHAFT TOP	C1	27	6				
GEAR, PRIMARY DRIVE	B9	19	22				
GEAR, PRIMARY DRIVEN	B9	19	20				
GRIP B. L. HANDLEBAR	D2	47	19				
GRIP, L. HANDLE	D2	47	19				
GRIP, R. HANDLE	D2	47	18				
GROMMET, CORD	C6	37	10				

Description Index

Description	Grid	Page	Ref. No.	Description	Grid	Page	Ref. No.
(L)				NUT, LOCK, 12MM	E5	77	17
					E9	85	22
LABEL A, CAUTION	D8	59	26	NUT, LOCK, 14MM	B9	19	25
LABEL C, CAUTION	E3	73	13	NUT, RR. BRAKE ADJUSTING	D1	45	9
LABEL DRIVE CAUTION	D9	61	28		E11	89	9
LABEL MUFFLER CAUTION	E3	73	13	NUT, RR. ORNAMENT CLAMP	J8	59	25
LAMP ASSY, BEAM PILOT	F1	93	13	NUT, SELF LOCK, 12MM	E5	77	17
LENS, BEAM PILOT	F1	93	14		E9	85	22
LENS, TAILLIGHT	F3	97	4		E11	89	16
LEVER, CHOKE	C8	41	17	NUT, SPEED, 3MM	F1	93	19
LEVER, CLUTCH	B8	17	14	NUT, STEERING STEM	D4	51	10
LEVER, L. HANDLEBAR	D2	47	21	NUT, TAPPET ADJUSTING	B5	11	16
LEVER, R. HANDLEBAR	D2	47	20	NUT, TURN BUCKLE	D7	57	13
	D2	47	21		D7	57	12
LEVER, VALVE	D7	57	4	NUT, UNIT HOLDER	F1	93	8
	D7	57	5				
LINK, CHOKE	C8	41	14	(O)			
				O-RING	D7	57	15
(M)				O-RING, 107X2	C7	39	15
MAINSHAFT, TRANSMISSION	C1	27	1	O-RING, 18X3	B12	25	19
MUFFLER COMP.	E2	71	7	O-RING, 30.8MM	B2	5	19
				O-RING, 31X1.7	C7	39	16
(N)				O-RING, 7X1.7	D7	57	15
NEEDLE SET, JET	C8	41	3	O-RING, 8MM	B11	23	18
NUT A, BRAKE ROD ADJUSTING	D1	45	9	O-RING, 8X1.7	B11	23	18
	E11	89	9	O-RING, 9.5X1.6	B5	11	17
NUT A, STEERING STEM	D4	51	9	OIL SEAL, 11.6X23X10	C7	39	14
NUT A1, STEERING STEM	D4	51	10	OIL SEAL, 11.6X24X10	C6	37	14
NUT B, STEERING STEM	D4	51	11	OIL SEAL, 13.8X24X5	B11	23	17
NUT, BEAM ADJUSTING	F1	93	5	OIL SEAL, 14X24X5	B11	23	17
NUT, CAP, 6MM	B2	5	28	OIL SEAL, 17X29X5	C1	27	16
NUT, FIXING	E11	89	15	OIL SEAL, 18.9X30X5	C6	37	13
NUT, FR. BRAKE ARM SETTING	E5	77	15	OIL SEAL, 20.7X30X7	D6	55	13
	E9	85	20	OIL SEAL, 21X35X5.5	E5	77	19
NUT, HANDLE HOLDER	D2	47	14	OIL SEAL, 21X35X7	E5	77	19
NUT, HEX, 10MM	C7	39	20	OUTER, CLUTCH	B8	17	1
NUT, HEX, 5MM	C8	41	20	OUTER, DRIVE GEAR	B9	19	21
	D3	49	27				
NUT, HEX, 6MM	B2	5	27	(P)			
	D11	65	13	PANEL, RR. BRAKE	E4	75	10
	E3	73	19		E9	85	17
	E10	87	28	PEDAL GEARSHIFT	F7	105	1
	E11	89	19	PEDAL, BRAKE	E11	89	10
	F2	95	22	PEDAL, GEAR CHANGE	F7	105	1
	F4	99	18	PEDAL, KICK STARTER	F7	105	5
NUT, HEX, 8MM	B12	25	25	PIN A, DOWEL, 8X12	B7	15	15
	D11	65	14	PIN A, DOWEL, 8X14	B2	5	29
	E1	69	16	PIN A, PILLION STEP	D10	63	5
	E5	77	22	PIN CAM CHAIN GUIDE ROLLER	B6	13	11
	E10	87	29	PIN, COTTER 1.6X15	D11	65	19

Description Index

Description	Grid	Page	Ref. No.	Description	Grid	Page	Ref. No.
PIN, COTTER 1.6X25	D11	65	19	REFLECTOR, FR. REFLEX	D4	51	1
PIN, COTTER 2.0X15	E12	91	22	RETAINER, CLUTCH BALL	B8	17	17
PIN, CRANK	B4	9	10	RETAINER, KICK SPRING	C3	31	9
PIN, GEARSHIFT DRUM	C4	33	8	RETAINER, VALVE SPRING	B5	11	12
PIN, GEARSHIFT FORK GUIDE	C4	33	4	RIM, HEADLIGHT	F1	93	2
PIN, KNOCK 10X14A	B7	15	10	RIM, L. WHEEL	E4	75	2
PIN, LOCK, 5MM	F2	95	26		E8	83	11
PIN, OIL PUMP KNOCK	B11	23	11	RIM, R. WHEEL	E4	75	1
PIN, PILLION STEP	D10	63	5		E8	83	10
PIN, PISTON	B3	7	4	RING SET, PISTON	B3	7	2
PIN, SHIFT RETURN SPRING	C3	31	5	RING, KNOB STOPPER	D3	49	23
PIN, SPRING	D6	55	11	ROD A, RR. BRAKE	E11	89	5
PINION, KICK STARTER	C3	31	6	ROD B, RR. BRAKE	E11	89	6
PIPE, EX.	E2	71	9	ROD, CAM CHAIN TENSIONER PUSH	B6	13	7
PIPE, EX. DIFFUSER	E2	71	8	ROLLER COMP., CAM CHAIN GUIDE	B6	13	10
PIPE, IN.	B2	5	14	ROLLER, CAM CHAIN GUIDE	B6	13	10
PIPE, L. FR. CUSHION SLIDE HALF	D6	55	3	ROLLER, CAM CHAIN TENSIONER	B6	13	4
PIPE, R. FR. FORK SLIDE HALF	D6	55	2	ROLLER, 8X10	B9	19	29
PIPE, THROTTLE GRIP	D2	47	13	ROTOR, OIL PUMP INNER	B11	23	8
PISTON	B3	7	3	ROTOR, OIL PUMP OUTER	B11	23	9
PIVOT, CAM CHAIN TENSIONER	B6	13	5	RUBBER A, KICK STARTER	F7	105	7
PLATE A, CAUTION	D8	59	26	RUBBER, CAM CHAIN TENSIONER PUSH ROD HEAD	B6	13	8
PLATE A, CLUTCH	B8	17	7	RUBBER, FR. FORK STOPPER	D6	55	10
PLATE B, CAUTION	D9	61	27	RUBBER, FUEL TANK FR.	D8	59	17
	E3	73	13	RUBBER, FUEL TANK RR.	D8	59	18
PLATE B, CLUTCH	B8	17	8	RUBBER, GEARSHIFT PEDAL	F7	105	2
PLATE C, CLUTCH	B8	17	9	RUBBER, KICK STARTER	F7	105	7
PLATE COMP. CLUTCH CAM	B8	17	15	RUBBER, PILLION STEP	D10	63	6
PLATE COMP. CLUTCH LIFTER	B11	23	13	RUBBER, REGULATOR CUSHION	F3	97	1
PLATE CLUTCH CAM	B8	17	15	RUBBER, SHIFT PEDAL	F7	105	2
PLATE, CONTACT FIXING	C4	33	11	RUBBER, STEP	D10	63	6
PLATE, DRIVE	B8	17	10				
PLATE, DRIVE SPROCKET FIXING	C1	27	9				
PLATE, EMBLEM SETTING	F1	93	18	(S)			
PLATE, GEARSHIFT DRUM STOPPER	C4	33	7				
PLATE, PLUG WRENCH SETTING	D10	63	8	SCREEN, OIL FILTER	B7	15	4
PLUG, HOLE	F1	93	16	SCREW SET A	C8	41	7
PLUG, RUBBER, 19MM	C4	33	15	SCREW, CROSS, 4X45	F4	99	16
PLUG, SEALING, 10MM	C4	33	1	SCREW, CROSS, 5X8	B9	19	30
PLUG, SPARK	B5	11	18	SCREW, CROSS, 6X8	D12	67	14
POINTS	C6	37	2	SCREW, FLAT, 5X10	B9	19	31
PROTECTOR, EX. PIPE	E2	71	4	SCREW, FLAT, 6X16	C5	35	18
PROTECTOR, MUFFLER	E2	71	10		C7	39	19
PUMP ASSY., OIL	B11	23	4	SCREW, HEADLIGHT ADJUSTING	F1	93	3
				SCREW, LEVER STOPPER	D7	57	14
(R)				SCREW, OVAL, 3X8	D9	61	30
RACE, STEERING LOWER CONE	D4	51	6	SCREW, PAN, 3X12	D3	49	26
RACE, STEERING TOP BALL	D4	51	3	SCREW, PAN, 3X6	D9	61	29
RACE, STEERING TOP CORN	D4	51	5	SCREW, PAN, 3X8	C8	41	19
RECTIFIER ASSY.	F5	101	4	SCREW, PAN, 4X26	D12	67	12
REFLECTOR	D4	51	1	SCREW, PAN, 4X8	D12	67	11
REFLECTOR, FR.	D4	51	1	SCREW, PAN, 5X10	B12	25	22
				SCREW, PAN, 5X12	F2	95	21

Description Index

Description	Grid	Page	Ref. No.	Description	Grid	Page	Ref. No.
SCREW, PAN, 5X12	F4	99	17	SPRING, KICK STARTER KNUCKLE	F7	105	8
SCREW, PAN, 5X16	D12	67	13	SPRING, KICK STARTER RATCHET	C3	31	7
SCREW, PAN, 5X4	E3	73	17	SPRING, OIL GUIDE	B9	19	24
SCREW, PAN, 5X45	D12	67	13	SPRING, RR. BRAKE ARM RETURN	E8	83	14
SCREW, PAN, 5X8	B9	19	30	SPRING, RR. BRAKE ROD	E11	89	7
	E3	73	18	SPRING, SIDE STAND	D10	63	1
SCREW, PAN, 6X10	B2	5	26	SPRING, STOP SWITCH	E11	89	2
SCREW, PAN, 6X12	C5	35	17	SPRING, VALVE	D7	57	11
	D12	67	15	SPRING, VALVE INNER	B5	11	11
SCREW, PAN, 6X20	C7	39	17	SPRING, VALVE LEVER	D7	57	8
SCREW, PAN, 6X36	C7	39	18	SPRING, VALVE OUTER	B5	11	10
SCREW, PAN, 6X38	B12	25	23	SPROCKET, CAM	B6	13	1
SCREW, PAN, 6X48	B7	15	12	SPROCKET, CAM CHAIN GUIDE	B6	13	12
SCREW, PAN, 6X60	B7	15	13	SPROCKET, DRIVE	C1	27	8
SCREW, PAN, 6X65	B7	15	14	SPROCKET, FINAL DRIVEN	E7	81	4
	B12	25	24	SPROCKET, TIMING	B4	9	11
SCREW, TAPPET ADJUSTING	B5	11	15	STATOR ASSY.	C6	37	8
SCREW, THROTTLE GRIP MOUNT	D3	49	24	STOPPER, GEARSHIFT DRUM	C4	33	9
SCREW, UNIT HOLDER	F1	93	7	STOPPER, THROTTLE GRIP	D2	47	17
SCREW, 5X10	B12	25	22	STRAINER, FUEL VALVE	D7	57	6
SEAL	C8	41	15	SWITCH ASSY., COMBINATION	F5	101	9
SEAL, OIL, 18X32X8	E9	85	25	SWITCH ASSY., LIGHTING DIMMER	D1	45	3
SEAL, VALVE STEM	B5	11	8	SWITCH ASSY., RR. STOP	E11	89	1
SEAT ASSY.	D10	63	7	SWITCH ASSY., STARTING	F5	101	9
SEAT, SEALING	C8	41	16	SWITCH ASSY., STOP	E11	89	1
SEAT, VALVE SPRING INNER	B5	11	13	SWITCH, MAIN	F5	101	9
SET RING, 101.5MM	B8	17	18				
SET RING, 20MM	C3	31	14	(T)			
SET RING, 45MM	B8	17	19				
SHAFT, VALVE ROCKER ARM	B5	11	5	TAILLIGHT ASSY.	F3	97	3
SHOE, BRAKE	E5	77	11	TAILLIGHT UNIT	F3	97	3
	E9	85	18	TANK COMP., FUEL	D7	57	16
SOCKET ASSY., HEADLIGHT	F1	93	9	THREAD COMP., STEERING HEAD TOP	D4	51	7
SPINDLE COMP., GEARSHIFT	C3	31	1	THROUGH, OIL	B9	19	23
SPINDLE, CAM CHAIN GUIDE SPROCKET	B6	13	13	TIRE, FR.	E4	75	7
SPINDLE, KICK STARTER	C3	31	8		E9	85	15
SPRING A, BRAKE ROD	E11	89	7	TIRE, WHEEL	E4	75	7
SPRING, BRAKE PEDAL	E11	89	12		E8	83	15
SPRING, BRAKE ROD	E11	89	7	TOP SET	C8	41	5
SPRING, BRAKE SHOE	E5	77	13	TRAY, BATTERY	D12	67	8
	E9	85	19	TUBE, FUEL	B7	15	5
SPRING, CAM CHAIN TENSIONER	B6	13	6	TUBE, FUEL, 4.5X130	D9	61	31
SPRING, CAM PLATE SIDE	B8	17	16	TUBE, FUEL, 5.5X350	B7	15	5
SPRING, CLUTCH	B8	17	11	TUBE, FUEL, 5X320	B7	15	5
SPRING, CLUTCH DAMPER	B8	17	13	TUBE, FUEL, 5X450	B7	15	5
SPRING, CLUTCH FREE	B8	17	12	TUBE, TIRE	E4	75	8
SPRING, FR. BRAKE ARM	D1	45	6		E9	85	16
SPRING, FR. FORK	D6	55	5	TUBE, TIRE, 3.00-8	E4	75	8
SPRING, GEARSHIFT ARM	C3	31	3		E9	85	16
SPRING, GEARSHIFT DPUM STOPPER	C4	33	10	TUBE, WHEEL	E4	75	8
SPRING, GEARSHIFT RETURN	C3	31	4		E9	85	16
SPRING, HEADLIGHT BEAM ADJUST	F1	93	4	TUBE, 3.5X200	C9	43	24
SPRING, HEADLIGHT BEAM ADJUSTING	F1	93	4	TUBE, 300/350-8	E4	75	8
SPRING, KICK STARTER	C3	31	10				

